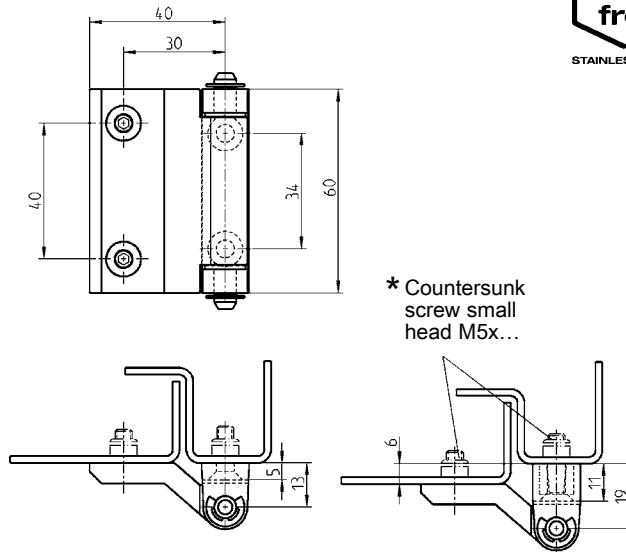
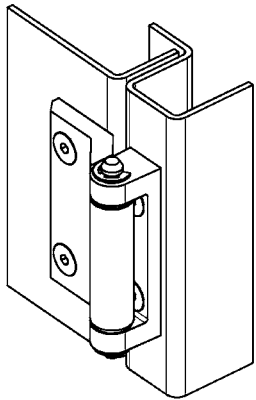


180° screw-on hinge

PROGRAM 1054

Beschlagteile



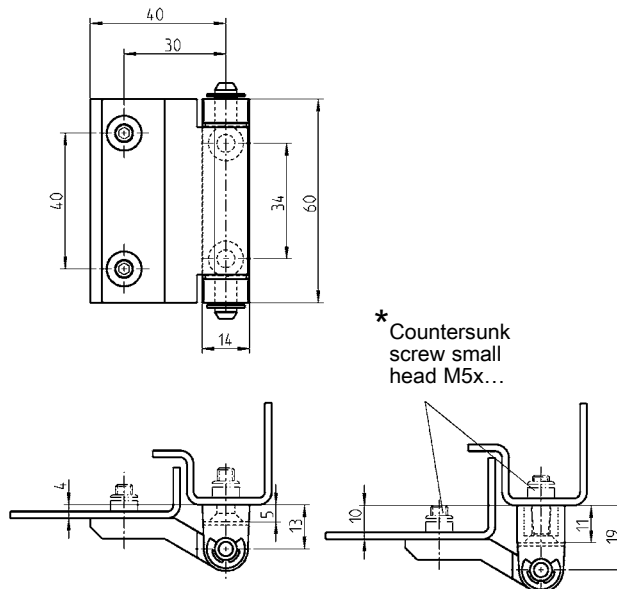
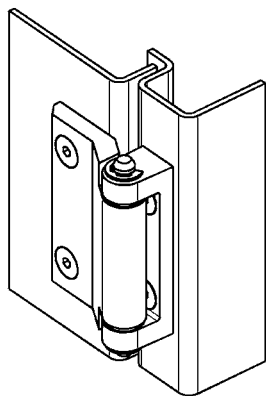
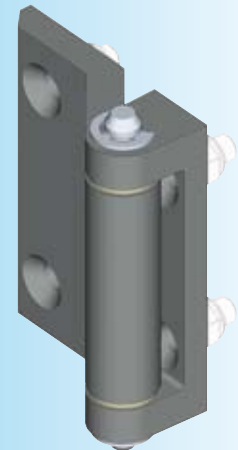
Screw-on hinge zinc die, pin and washer m.s. zinc pl. and bush polyamide

	level	6 mm higher
chrome plated	1054-U4	1054-U27
black powder coated	1054-U5	1054-U28
raw	1054-U22**	1054-U29**

** = Minimum order quantity 1000 pcs.

Screw-on hinge AISI 316 and bushes polyamide

	1054-U5-PH	-
--	------------	---



Screw-on hinge zinc die, pin and washer m.s. zinc pl. and bush polyamide

	4 mm higher	10 mm higher
chrome plated	1054-U7	1054-U19
black powder coated	1054-U10	1054-U20
raw	1054-U18**	1054-U21**

** = Minimum order quantity 1000 pcs.

* not included

small head = DIN ISO 2009, 2010, 7046-1, 7046-2, 7047

