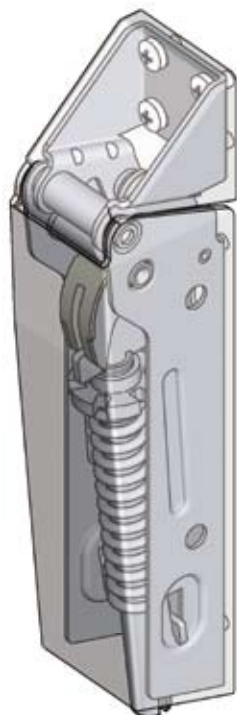


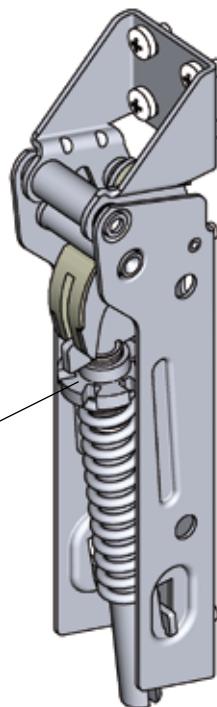
80° Counterbalancing spring loaded hinge

PROGRAM 1715

Beschlagteile

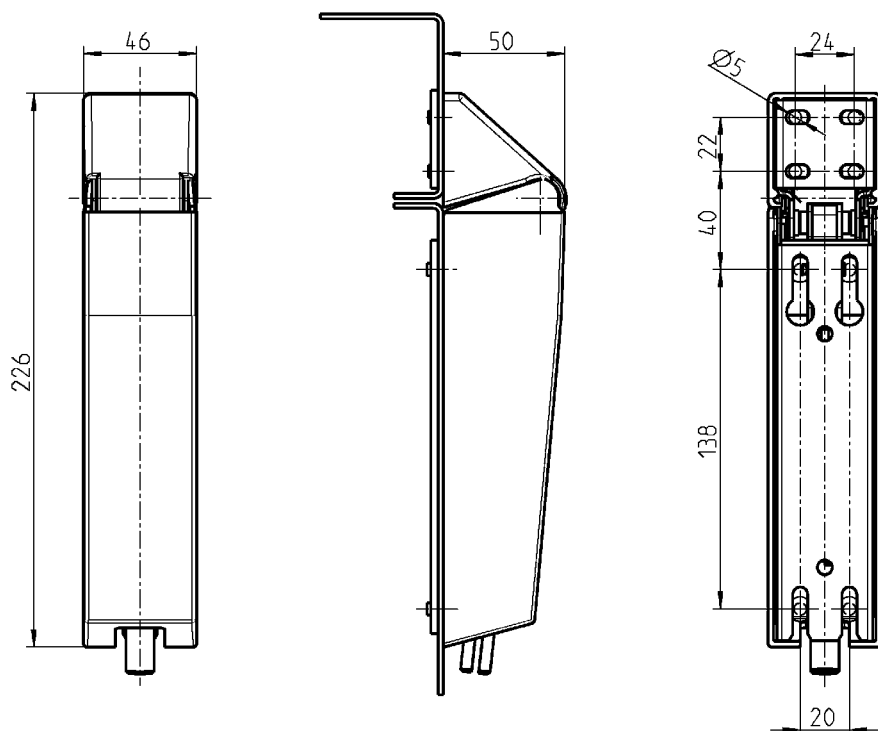
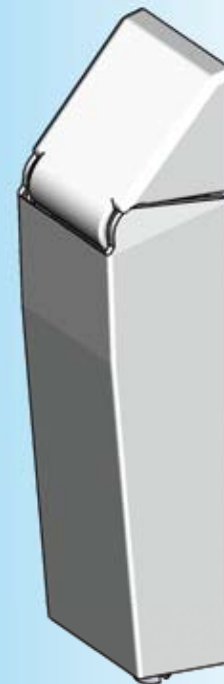


covering caps depicted transparent



depicted without covering caps

By means of the adjusting nut the torque can be set.



Application area:

The spring loaded hinge can be used e.g. for freezers.

The covering caps can be put on after mounting the hinges.

*Lid weight with homogeneous distribution of weight

Spring loaded hinge m.s. zinc plated, knuckle polyamide, covering caps polystyrene white, with one or two springs

for a *lid weight in the range of 6 kg with 2 hinges	1715-U331
for a *lid weight in the range of 17 kg with 2 hinges	1715-U332
for a *lid weight in the range of 23 kg with 2 hinges	1715-U333