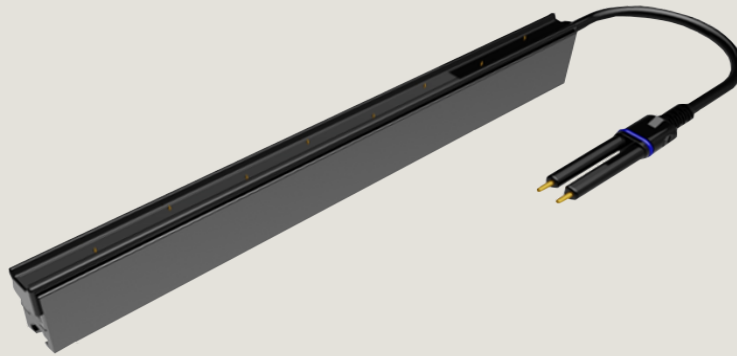


KERSTEN®

Electrode

DE 406



THE PRODUCT

The DE 406 discharge electrode is a highly stable universal electrode for a variety of applications. It is used for surface discharging a variety of materials. The mechanically stable aluminium profile design renders it suitable for longer self-supporting distances.

PRODUCT BENEFITS

- Safe to touch
- Vacuum-casted
- Customizable to individual lengths

CUSTOMER BENEFITS

- Plug-in system
- Longlife product
- Minimal maintenance effort
- Easy to install

WHY KERSTEN?

- Made in Germany for over 40 years
- Needs-based consultation
- Tailor-made solutions
- Very short delivery times

GENERAL

Supply voltage	U	kV DC	<+6.0/>-4.5
Power consumption per 1m electrode length at max. supply voltage	I _{max}	µA	250
Connection type			neXt® - plug-in
Grid width (tip distance)		mm	25
Available total lengths	L	mm	990 - 3990*

DETAILS

Effective distance (possible / optimal)		mm	10-300 / 20-60
Min. distance to metal areas (lateral / in operating direction)		mm	10 / 40
Max. available high voltage cable length		m	120
- Grid up to 2.0m / - Grid from 2.0m		m	0.1 / 0.5
Minimum bend radius of cable			
- Fixed installation / - Constant movement	R	mm	15 / 30

CLIMATIC CONDITIONS

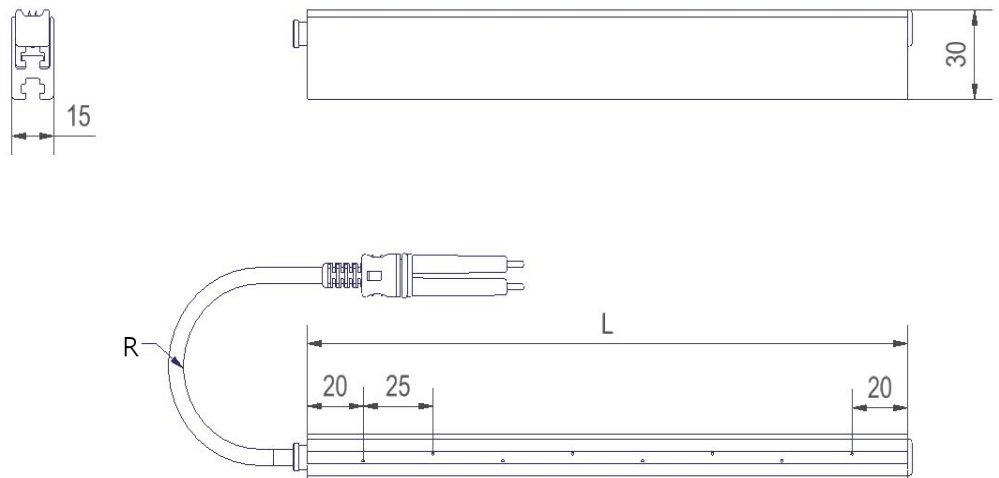
Temperature during transport and storage	T	°C / °F	-25- +85 / -13- +185**
Temperature during operation	T	°C / °F	+5- +80 / +41- +176***
Relative humidity (non condensing)	RH	%	<80

DIMENSIONS

	L/W/H	mm	L / 15 / 30
--	-------	----	-------------

*active length = total length -40mm **acc. UL50 TypB / class 3K3 max. +70 °C (+158 °F) ***acc. UL50 TypB / class 3K3 max. +70 °C (+158 °F)

TECHNICAL DRAWING



All dimension measurements in mm

KERSTEN ELEKTROSTATIK GMBH

Walter-Knoell-Straße 3
 D-79115 Freiburg | Germany
 T +49 761 47944-0 | F +49 761 47944-99
 info@kersten.de | www.kersten.de

