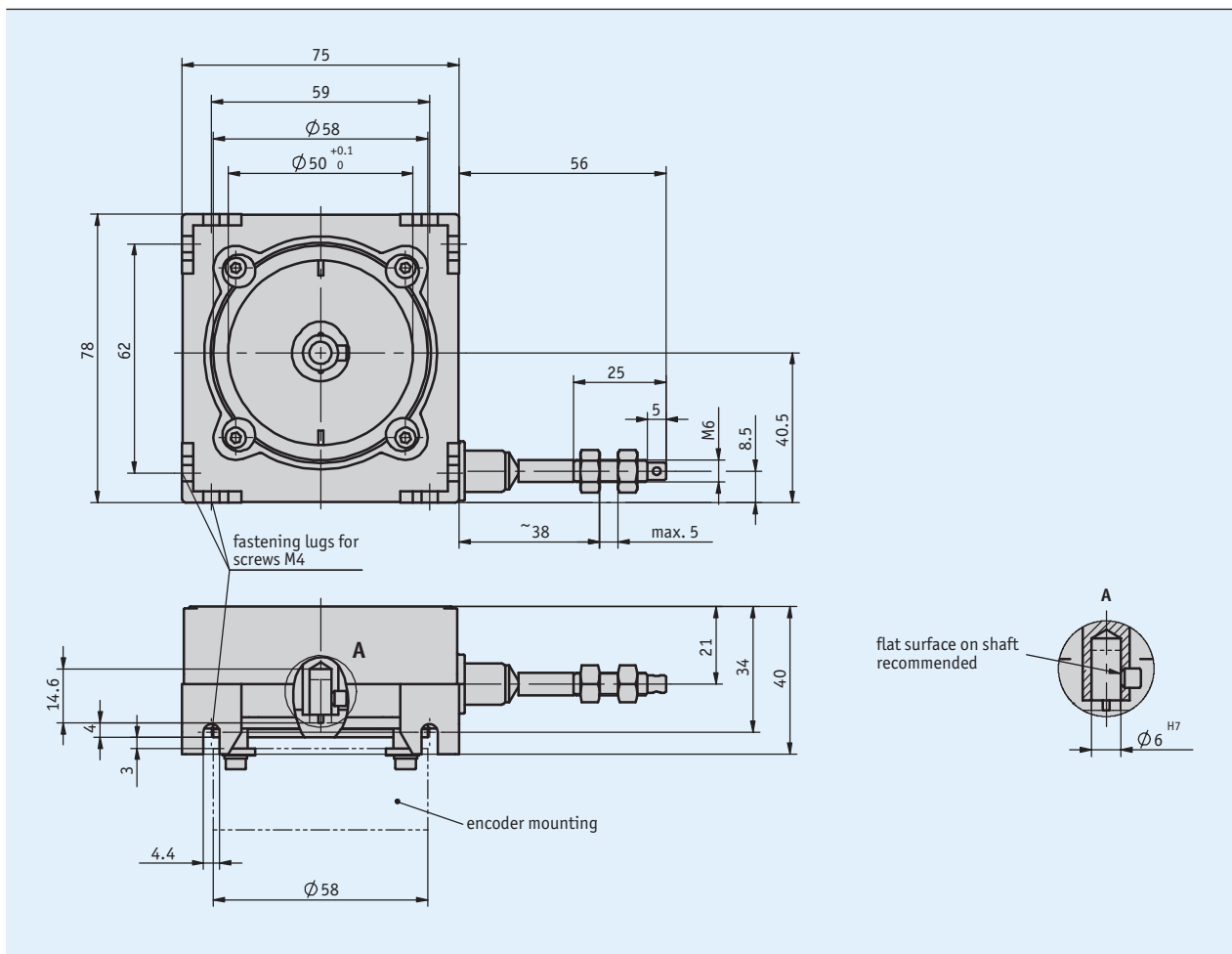
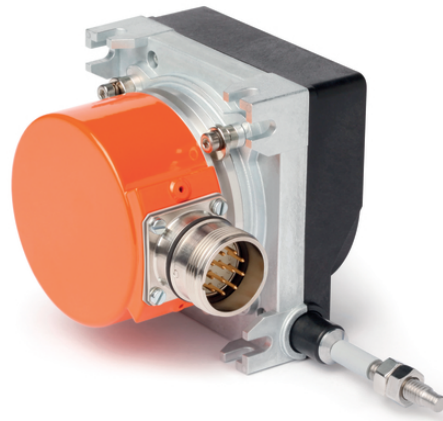


Profile

- Robust design
- Measuring lengths up to 3000 mm
- Wire-actuated encoder for rotary encoder with 58 mm servo-flange
- Variable mounting options
- Lockable ventilation holes against condensation
- Very robust measuring rope (stainless steel)
- High tightness at the rope outlet



Mechanical data

Feature	Technical data	Additional information
Housing	zinc die-cast, plastic	
Wire design	$\varnothing 0.87$ mm	steel wire (stainless), plastic coated
Extension force	≥ 3 N	
Measured distance/ rope drum revolution	200 mm	
Weight	~ 0.35 kg	

Electric data

Rotary encoders suitable for the SG31 are featured in RotoLine catalogue 2. Depending on the output signals the following are suitable for...

- Analog outputs such as current or voltage: AV58M
- Incremental outputs: IV58M
- Absolute outputs: WV58MR, WV36M/SSI, WV36M/CAN

The technical specifications for these devices are given in the respective data sheet. A number of transmitter versions of various manufacturers can also be used.

System data

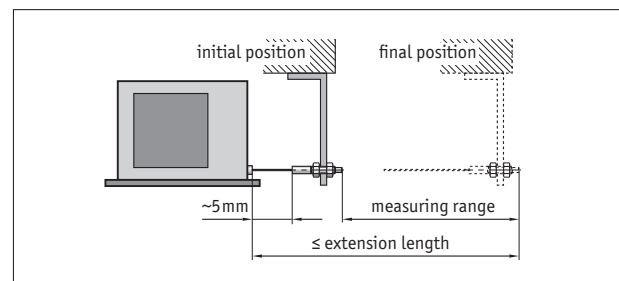
Feature	Technical data	Additional information
Repeat accuracy	± 0.15 mm	per direction of approach
Travel speed	≤ 800 mm/s	

Ambient conditions

Feature	Technical data	Additional information
Ambient temperature	$-40 \dots 80$ °C	

Hint for mounting

When securing the wire it must be ensured that the wire is straight and vertical in relation to the wire outlet.
 Recommendation: Only select the starting position after an unwound length of approx. 5 mm. This prevents the wire hitting the end stop when it is rewound.



symbolic depiction

Order

Ordering information

One or more system components are required:

Absolute encoder AV58M	www.siko-global.com
Incremental encoder IV58M	www.siko-global.com
Absolute encoder WV58MR	www.siko-global.com
Absolute encoder WV36M/SSI	www.siko-global.com
Absolute encoder WV36M/CAN	www.siko-global.com

Ordering table

Feature	Ordering data	Specification	Additional information
Encoder type	0G6	without encoder	
	S6	a wide range of encoders can be used	see accessories

Order key

SG31 -

Scope of delivery: SG31, Mounting instructions

Accessories:

Guide roller UR
Wire extension piece SV

www.siko-global.com
www.siko-global.com