

# BASELINE

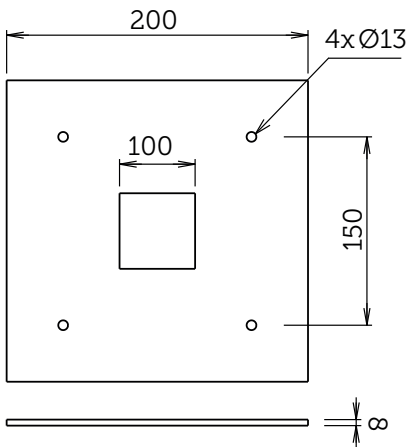
## Multifunctional column for mounting of access control, photocell detection, intercom and CCTV

- Column made of extruded aluminum
- Finished in anthracite, RAL7016 Textured varnish
- The stability depends on the weight of the camera and the wind
- Easy installation
- Available at different heights
- No maintenance

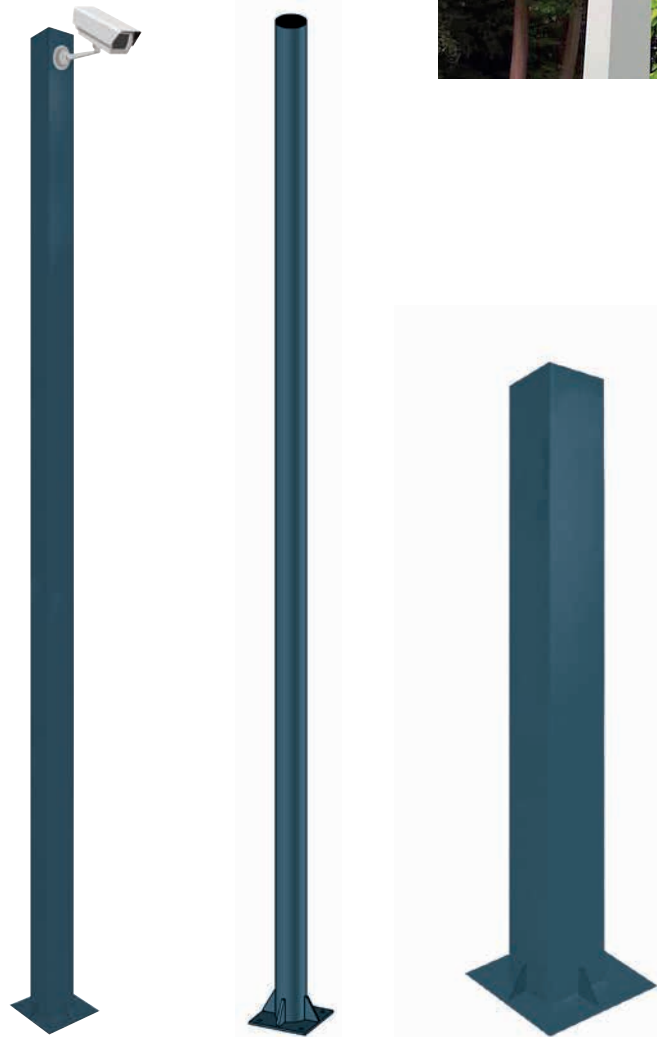
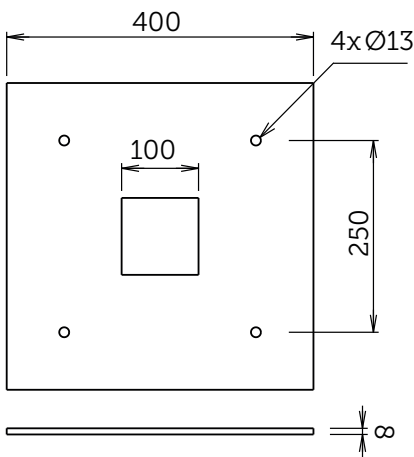


### Dimensions base plate

200 x 200 mm



400 x 400 mm

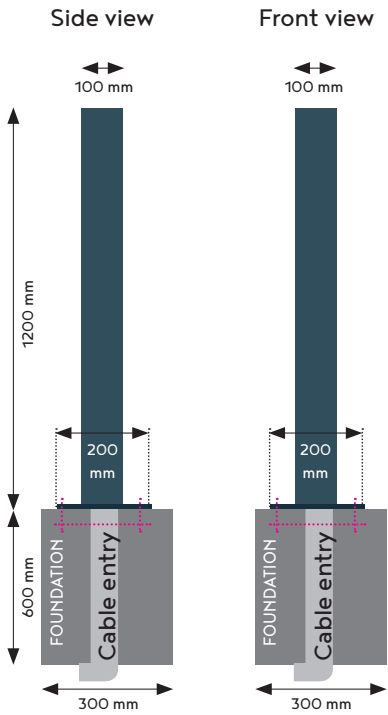


Heights	1,2 m	1,8 m	2,4 m	3,5 m	4 m	4,5 m	5 m
Colour	RAL7016 Textured varnish						
Housing	Extruded aluminum, thickness 3 mm						
Dimensions column	Square column 100 x 100 mm - round column $\phi$ 100 mm						
Construction	Welded construction						
Fixation to the underground	With expansion bolts or threaded rods						
Weight $\pm$	4,7 kg	6,7 kg	8,7 kg	12,8 kg	13,8 kg	14,8 kg	15,8 kg
Dimensions base plate	200 x 200 mm				400 x 400 mm		
IP-range	IP 55						
Warranty	2 years						

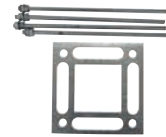


## Dimensions

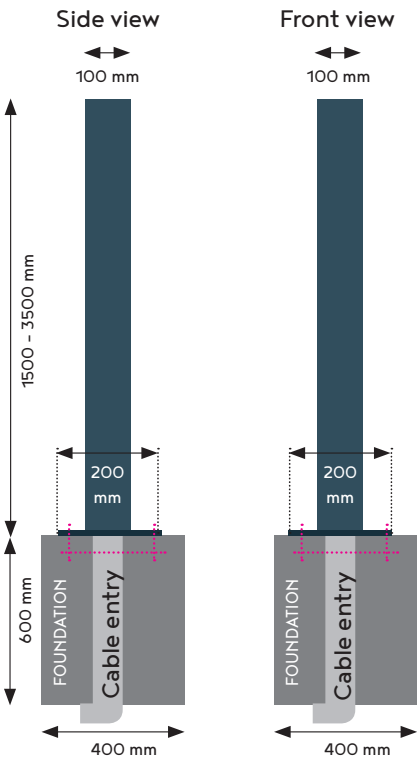
### BaseLine



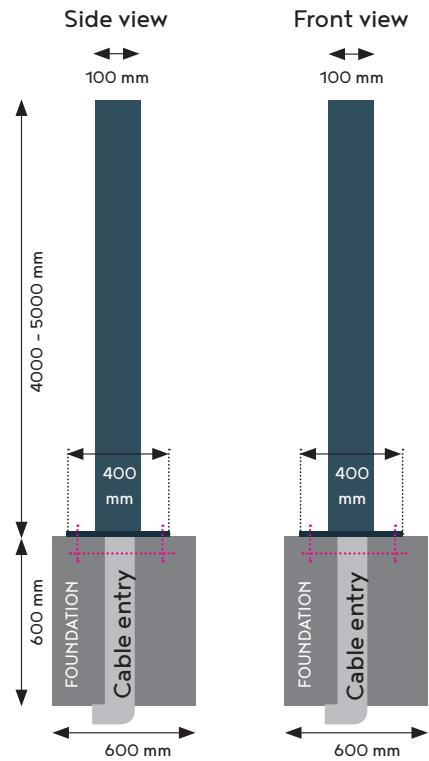
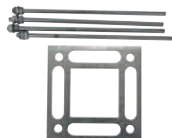
Positioning mold center distance 150 x 150 mm



### BaseLine - Camera column



Positioning mold center distance 150 x 150 mm



Positioning mold center distance 250 x 250 mm

