

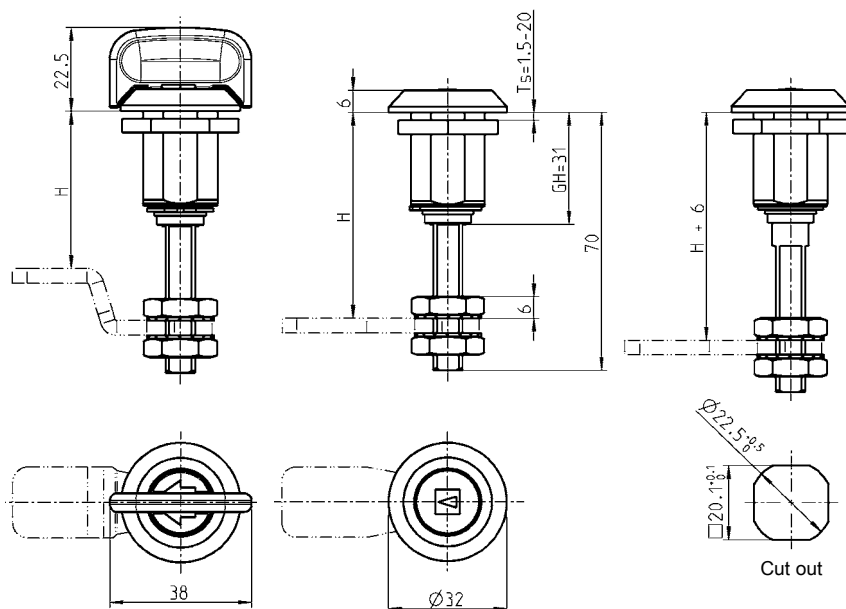
# Compression latch with adjustable cam

## PROGRAM 1000

### Vibration proof

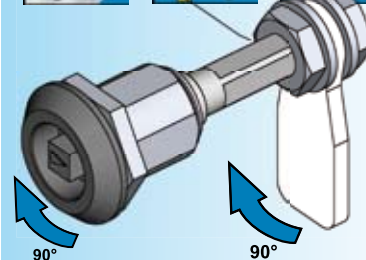
The compression latch is of a vibration-proof design.

Depending on the installation location and operational conditions specific checks are necessary and/or supplementary measures of fastening required.

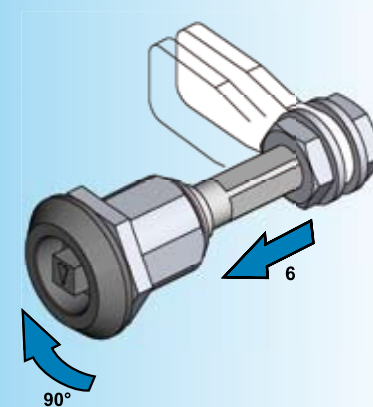


Housing and insert zinc die black p.c.; shaft zinc die or m.s. zinc plated; nut and washer m.s. zinc plated, with spring and gasket

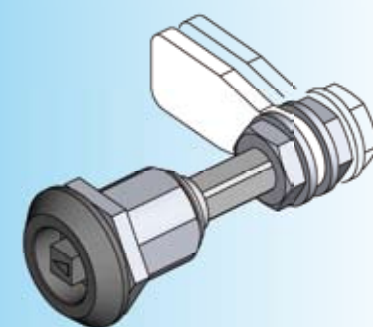
	shaft zinc die	shaft m.s. zinc plated
Square 6 with arrow	on request	on request
Square 7 with arrow	1000-U786	1000-SU720
Square 8mm with arrow	1000-U799	1000-SU861
Triangular 6,5 CNOMO	on request	on request
Triangular 7	1000-U794	1000-SU724
Triangular 8	1000-U802	1000-SU725
Triangular 9	on request	on request
Triangular 10	on request	on request
Double bit 3	1000-U803	1000-SU730
Double bit 5	1000-U804	1000-SU752
Male hexagon 11mm with indicator	1000-U816	1000-SU324
Hexagon female 8mm	1000-U808	1000-SU735
Hexagon female 8mm with pin	on request	1000-SU733
Hexagon female 10mm	on request	on request
Square female 6mm	on request	on request
Square female 7	on request	on request
Square female 8	1000-U812	on request
Daimler Benz	on request	on request
Slot 1,2 x 3	on request	on request
Slot 2 x 4	1000-U813	on request
Slot 2 x 4 coinproof	on request	on request
Crown type	on request	on request
Railway	on request	on request
Tube with indicator	1000-U830	1000-SU736
Wing knob	1000-U880	on request



**Open condition**  
The first 90° of rotation of the insert also turns the cam 90°.



**Closed position**  
The second 90° of rotation of the insert draws the cam toward the door 6 mm axially.



**Compressed condition**

**Unlock:**  
Reversed rotation

**Note:**  
Only cams without a stopper can be used.

**Further parts see page**

- Stainless steel version 8A-232
- Cam (GH = 31) 1C-137
- Accessories from 1C-320
- Escutcheon 3B-140
- Key 12B-120