
ROCIA

ARM-MOUNTED | FLEXIBLE-TUBE | PIVOTING-HEAD LUMINAIRES







ROCIA.focus SPOT ON: PINPOINT ILLUMINATION

The spotlight ROCIA.focus impresses with outstanding resistance. Even in the roughest industrial environments, the luminaire preserves its stability and ensures precise and pinpoint illumination. Exactly adjustable connections, lenses with different beam angles and a flicker-free dimming allow an optimum control of the state-of-the-art high-power LEDs.



ROCIA.focus

PERFECT TECHNOLOGY – PRECISE LIGHT

- Maintenance-free LED technology with strong high-power LEDs
- Infinitely adjustable and flicker-free dimming
- Versions with narrow and wide angles of illumination
- Exactly adjustable arm-mounted, flexible-tube and pivoting-head luminaires
- Extremely resistant luminaire made of solid metal with impact resistant cover and a high degree of protection
- Connection to machine or mains voltage
- Integrated power supply unit and internal cable



Exactly adjustable.

Whether it is equipped with a double arm with spring-balanced base joint, a flexible tube with additional head joint or pivoting head with adjustable friction: The ROCIA.focus can be positioned with utmost precision. Considering the required degrees of freedom and the available mounting options, ROCIA.focus brings the light exactly where it is needed.

Extra efficient.

ROCIA.focus offers: beam angle of 10° or 40° for optimum adaptation to the environment and the visual task; exact coordination of lenses and LEDs for illuminances of up to 30 000 lx despite the small size; switchable dimming function for flicker-free dimming down to 30 %. Even when not dimmed, ROCIA.focus saves, compared with the respective halogen luminaires, up to 90 % of energy. Thanks to the LED's long service life of at least 50 000 h, it is not necessary to replace the lamp!

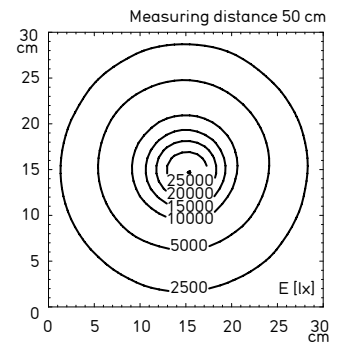
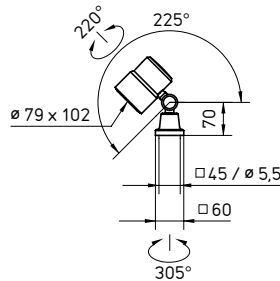
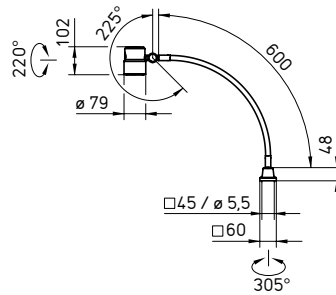
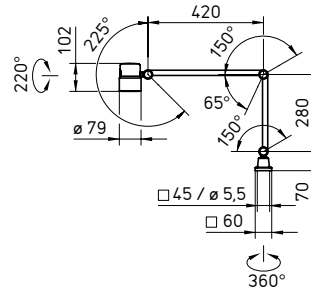


Extremely robust.

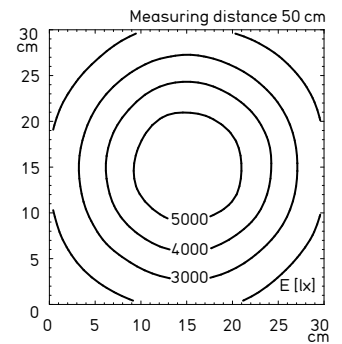
The luminaire head and the arm made of aluminium, the flexible steel tube, the die-cast joints and the cables and seals made of particularly resistant materials give the ROCIA.focus a very long service life. The completely sealed housing prevents liquids, dust or foreign objects from entering into the luminaire and protects the electronic and electric systems from being damaged.

Excellently connected.

The wide-range electronics and the integrated rectifier of the ROCIA.focus offer a constant light output in a supply voltage range of 12 – 28 VAC or 12 – 40 VDC. Arm-mounted and flexible-tube luminaires are also available with integrated power supply unit so that they can operate directly and without wall power supply at 100 – 240 VAC.



Illuminance with 10° lens





Illuminance with 40° lens



ROCIA focus compact

- Colour temperature neutral white 5000 K
- Colour rendering $R_a > 80$
- 10° or 40° angle of illumination
- Black and colourless anodised aluminium housing, 3 mm thick safety glass
- Partially spring-balanced arm, flexible tube or head joint
- With switch in the luminaire head (arm-mounted/flexible-tube luminaire) for switching and dimming or without switch (pivoting-head luminaire)
- Supply voltage 100 – 240 VAC (with transformer) or 12 – 28 VAC / 12 – 40 VDC (without transformer)
- Maximum permissible ambient temperature $T_{a_{max}}$ up to 40 °C (without transformer)
- LED service life (L70) > 60000 h
- Degree of protection IP67; protection class I (with transformer) or III (without transformer)
- Supplied with approx. 3 m connecting line and grounded plug, type CEE 7/7 (with transformer) or free strand ends (without transformer)
- Different mounting elements as accessories




Arm-mounted luminaires

 Machine tools		 Woodworking machines		 Textile machinery	
Fitted with Consumption	Operating device Connected load	Dimensions Special feature	E_m E_{max}^*	Model Order No.	
LED	integrated	–	5088 lx ¹	RFD 600/850/D	
9,5 W	100 – 240 V, 50/60 Hz	10° lens, dimmable	30053 lx ¹	113 181 000 - 006 791 31	
LED	integrated	–	3255 lx ¹	RFD 600/850/D	
9,5 W	100 – 240 V, 50/60 Hz	40° lens, dimmable	5600 lx ¹	113 181 000 - 006 801 67	
LED	–	–	5088 lx ¹	RFD 600/850/DS	
8,5 W	12 – 28 VAC, 12 – 40 VDC	10° lens, dimmable	30053 lx ¹	113 182 000 - 006 801 10	
LED	–	–	3255 lx ¹	RFD 600/850/DS	
8,5 W	12 – 28 VAC, 12 – 40 VDC	40° lens, dimmable	5600 lx ¹	113 182 000 - 006 802 08	

Flexible-tube luminaires

 Machine tools		 Woodworking machines		 Textile machinery	
Fitted with Consumption	Operating device Connected load	Dimensions Special feature	E_m E_{max}^*	Model Order No.	
LED	integrated	–	5088 lx ¹	RFF 600/850/D	
9,5 W	100 – 240 V, 50/60 Hz	10° lens, dimmable	30053 lx ¹	113 183 000 - 006 689 96	
LED	integrated	–	3255 lx ¹	RFF 600/850/D	
9,5 W	100 – 240 V, 50/60 Hz	40° lens, dimmable	5600 lx ¹	113 183 000 - 006 802 51	
LED	–	–	5088 lx ¹	RFF 600/850/DS	
8,5 W	12 – 28 VAC, 12 – 40 VDC	10° lens, dimmable	30053 lx ¹	113 184 000 - 006 802 72	
LED	–	–	3255 lx ¹	RFF 600/850/DS	
8,5 W	12 – 28 VAC, 12 – 40 VDC	40° lens, dimmable	5600 lx ¹	113 184 000 - 006 802 85	

Pivoting-head luminaires

 Machine tools		 Woodworking machines		 Textile machinery	
Fitted with Consumption	Operating device Connected load	Dimensions Special feature	E_m E_{max}^*	Model Order No.	
LED	–	–	5088 lx ¹	RFJ 600/850/S	
8,5 W	12 – 28 VAC, 12 – 40 VDC	10° lens	30053 lx ¹	113 185 000 - 006 686 13	
LED	–	–	3255 lx ¹	RFJ 600/850/S	
8,5 W	12 – 28 VAC, 12 – 40 VDC	40° lens	5600 lx ¹	113 185 000 - 006 802 93	

* E_m = medium illuminance; E_{max} = maximum illuminance; ¹ Measuring field 30 cm x 30 cm/Measuring distance 50 cm

ROCIA.planar

LIGHT ALL OVER THE AREA

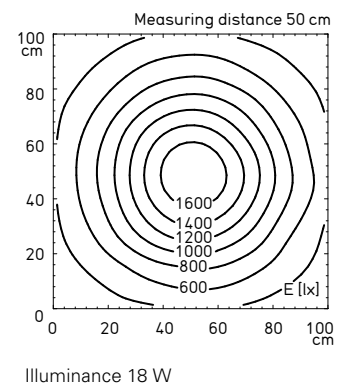
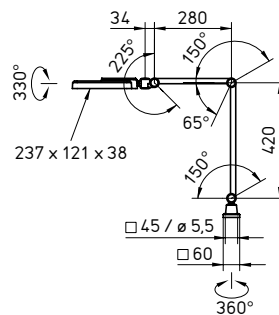
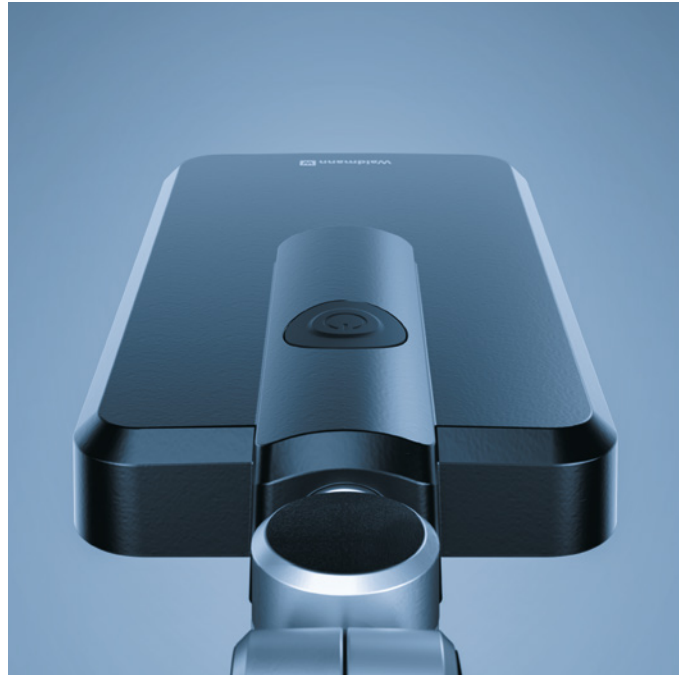
The wide-area luminaire ROCIA.planar convinces the practitioners by its solid metal design. The 3D head joint, the high illuminance and the outstanding light quality guarantee an exact adjustability and set standards regarding the ergonomics. Moreover, the efficient and maintenance-free LED technology reduces the operating costs and improves the environmental balance.



ROCIA.planar

TECHNOLOGY IN PERFECTION

- Maintenance-free LED technology with strong and homogeneous light
- Exactly adjustable arm with 3D head joint
- Extremely resistant luminaire made of solid metal with impact resistant cover and a high degree of protection
- Integrated power supply unit and internal cable for connection to mains voltage



ROCIA.planar compact

- Colour temperature neutral white 5000 K
- Colour rendering Ra >80
- Glare-free through opal white screen
- Black painted aluminium housing, plastic screen from PC
- Partially spring-balanced arm
- With switch in the light head
- Supply voltage 100 – 240 VAC
- LED service life (L70) > 60000 h
- Degree of protection IP67; protection class I
- Supplied with approx. 3 m connecting line and grounded plug, type CEE 7/7
- Different mounting elements as accessories



Machine tools



Woodworking machines



Textile machinery

Fitted with Consumption	Operating device Connected load	Dimensions Special feature	E_m E_{max}^*	Model Order No.
LED 18 W	integrated 100 – 240 V, 50/60 Hz	– –	783 lx ¹ 1752 lx ¹	RPD 1700/850 113 458 000 - 006 689 76

* E_m = medium illuminance; E_{max} = maximum illuminance; ¹ Measuring field 100 cm x 100 cm/Measuring distance 50 cm

HEADQUARTERS GERMANY

Herbert Waldmann GmbH & Co. KG
Postfach 50 62
78057 VILLINGEN-SCHWENNINGEN
GERMANY
Telephone +49 7720 601 - 0
Telephone +49 7720 601 - 100 (Sales)
Fax +49 7720 601 - 290
www.waldmann.com
sales.germany@waldmann.com

FRANCE

Waldmann Eclairage S.A.S.
Zone Industrielle
Rue de l'Embranchement
67116 REICHSSTETT
FRANCE
Telephone +33 3 88 20 95 88
Fax +33 3 88 20 95 68
www.waldmann.com
info-fr@waldmann.com

ITALY

Waldmann Illuminotecnica S.r.l.
Via della Pace, 18 A
20098 SAN GIULIANO MILANESE (MI)
ITALY
Telephone +39 02 98 24 90 24
Fax +39 02 98 24 63 78
www.waldmann.com
info-it@waldmann.com

THE NETHERLANDS

Waldmann B.V.
Lingewei 19
4004 LK TIEL
THE NETHERLANDS
Telephone +31 344 631019
Fax +31 344 627856
www.waldmann.com
info-nl@waldmann.com

AUSTRIA

Waldmann Lichttechnik Ges.m.b.H.
Gewerbepark Wagram 7
4061 PASCHING/LINZ
AUSTRIA
Telephone +43 7229 67400
Fax +43 7229 67444
www.waldmann.com
info-at@waldmann.com

SWEDEN

Waldmann Ljusteknik AB
Skebokvarnsvägen 370
124 50 BANDHAGEN
SWEDEN
Telephone +46 8 990 350
Fax +46 8 991 609
www.waldmann.com
info-se@waldmann.com

SWITZERLAND

Waldmann Lichttechnik GmbH
Benkenstrasse 57
5024 KÜTTIGEN
SWITZERLAND
Telephone +41 62 839 1212
Fax +41 62 839 1299
www.waldmann.com
info-ch@waldmann.com

UNITED KINGDOM

Waldmann Lighting Ltd.
10 Millfield House
Croxley Green Business Park
WATFORD WD18 8YX
UNITED KINGDOM
Telephone +44 1923 800030
Fax +44 1923 800016
www.waldmann.com
info-uk@waldmann.com

USA

Waldmann Lighting Company
9 W. Century Drive
WHEELING, ILLINOIS 60090
USA
Telephone +1 847 520 1060
Fax +1 847 520 1730
www.waldmannlighting.com
waldmann@waldmannlighting.com

CHINA

Waldmann Lighting (Shanghai) Co., Ltd.
Part A11a, No. Five Normative Workshop
199 Changjian Road, Baoshan
SHANGHAI, P.R.C. 200949
CHINA
Telephone +86 21 5169 1799
Fax +86 21 3385 0032
www.waldmann.com
info-cn@waldmann.com

SINGAPORE

Waldmann Lighting Singapore Pte. Ltd.
77A Neil Road
SINGAPORE 088903
SINGAPORE
Telephone +65 6275 8300
Fax +65 6275 8377
www.waldmann.com
sales-sg@waldmann.com

INDIA

Waldmann Lighting Pvt. Ltd.
Plot No. 52
Udyog Vihar
Phase-VI, Sector-37
GURGAON-122001, HARYANA
INDIA
Telephone +91 124 412 1600
Fax +91 124 412 1611
www.waldmann.com
sales-in@waldmann.com