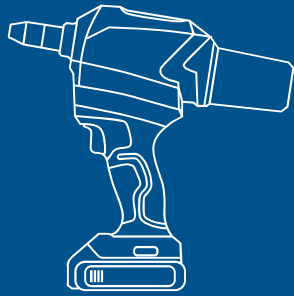


# RIVDOM® eBZ 1

Battery-powered setting tool for blind rivets



Very compact design  
 + low weight  
 + a powerful, newly developed brushless motor  
 + the optimised gearing  
 + the familiar efficient 20 V -RivdomPLUS Li ion rechargeable battery are  
**the new key to optimum cordless blind riveting.**  
 The new housing design is a further step towards perfect ergonomics  
 for **comfortable handling** even with the  
 most intensive use.

up to  
5.0 mm

## Rivdom eBZ 1

**Tool-free  
clamping mechanism**

Optional:  
**Integration of  
scanner systems**



**Powerful 20V  
Li ion battery**



1,6 kg

small + **powerful**  
**THE new standard tool**  
 for blind rivets up to 5 mm



Even more compact without collecting bin – reliable  
riveting even in confined installation situations



**Wear-free.**  
 Sturdy, innovative  
**BLDC motor** for  
 maximum service  
 lives.



Simple control



Effective cooling  
system



Mandrel collector  
with larger  
volume

Family facts on the **HONSEL** battery riveters on ► page 50.



	2.4	3.0	3.2	4.0	4.8	5.0	6.0	6.4	8.0
Aluminium	[Bar]								
Steel	[Bar]								
Stainless steel	[Bar]								
Copper alloys	[Bar]								

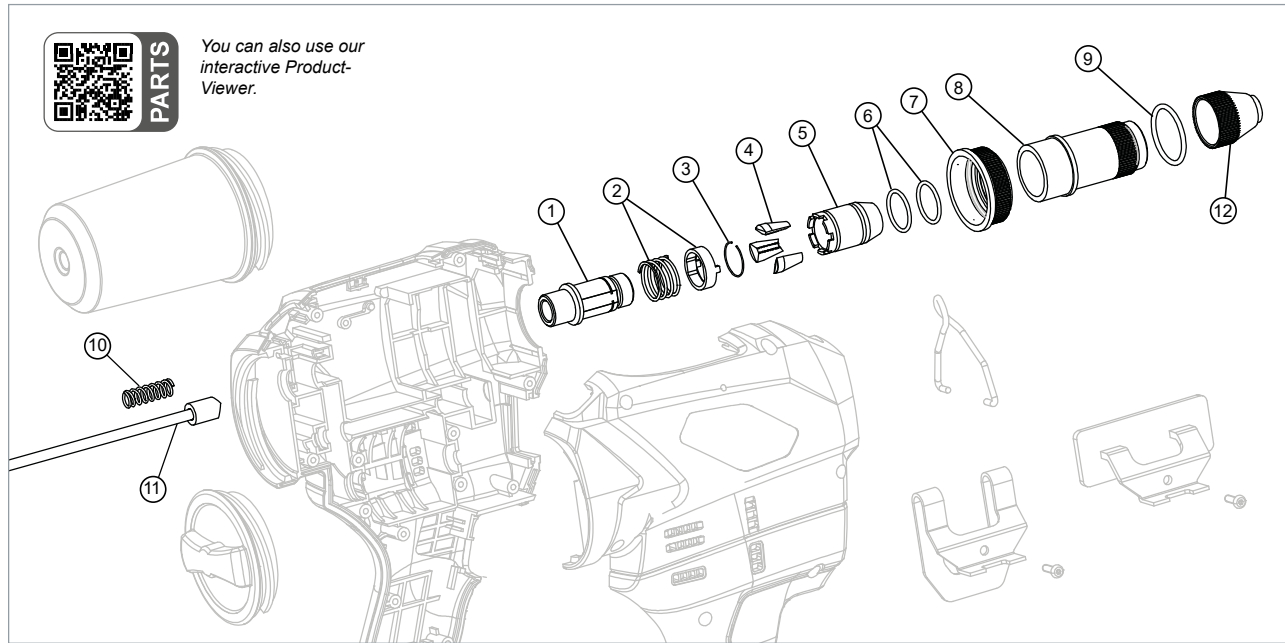
- max. 3.5 mm
- 1.6 kg (incl. 2.0 Ah battery)
- 25 mm
- 10,000 N
- < 30 min.

- 1x Rivdom eBZ 1 battery riveter with brushless motor in **HONSEL L-Boxx®**
- 20V/2.0 Ah Li ion battery with optical state-of-charge indicator (number depending on variant)
- 1x Rivdom-PLUS quick-charger
- 4x standard nosepieces in box
- 1x mandrel collector "L"
- 1x each belt clip, hanger bracket and cover cap

Item no. **32042000000-010-1** (1x battery 20V/2Ah)

Item no. **32042000000-020-1** (2x battery 20V/2Ah)





**PARTS**

You can also use our interactive Product-Viewer.

## Spare and wear parts

1	32142000054	Spacer
2	32142000055	Quick release ring + spring
3	32142000056	Quick release c-ring
4	32102000006	Clamping jaws (1 set = 3 pcs.)
5	32142000016	Clamping sleeve with scraper
6	321121000045	Scraper
7	32142000018	Union ring (silver)
8	32142000015	Front sleeve
9	32142000019	Rubber for union ring
10	32142000014	Pressure spring
11	32142000049	Mandrel discharge tube with guide sleeve

## Standard nosepieces

12	32142000122	Standard nosepiece 2.4 mm
	32142000123	Standard nosepiece 3.0/3.2 mm
	32142000124	Standard nosepiece 4.0 mm
	32142000125	Standard-Mundstück 4.8/5.0 mm

## Accessories

32150000021	Li-Ion RivdomPLUS battery 20 V/2.0 Ah -scope of delivery-
32150000022	Li-Ion RivdomPLUS battery 20 V/4.0 Ah
32150000001	Universal quick charger 220 V for RivdomPLUS batteries (12 V/16 V/20 V) -scope of delivery-
32150000003	Multiple charging station
32150000004	Adapter multiple charging station for 1 x RivdomPLUS battery
32120000031	Mandrel container S (5.5 cm)
321300100031	Mandrel container L (8.0 cm) -scope of delivery-
321401000030	Mandrel container L+ (8.0 cm)
321501000030	Mandrel container XL++ (11.0 cm)
32120000018	Colored union ring (blue, gold, red, black)
32120000029	Hanger -scope of delivery-
32120000006	Belt clip -scope of delivery-
32120000005	Name plate -scope of delivery-
32140100004	Cover cap -scope of delivery-

## Special nosepieces

### For recessed riveting points

Extended nosepieces 20 mm  
(7 mm available on request)



321420924200	Extended nosepiece (20 mm) 2.4 mm
321420932200	Extended nosepiece (20 mm) 3.0/3.2 mm
321420940200	Extended nosepiece (20 mm) 4.0 mm
321420950200	Extended nosepiece (20 mm) 4.8/5.0 mm

### For 4.0 and 5.0 mm large dome head blind rivets



321420000424	Façade nosepiece 4.0 mm to head 24 mm
321420000524	Façade nosepiece 5.0 mm to head 24 mm



**Retainer nosepieces** to securely hold the blind rivets before the setting process and...



...extended front sleeves can be found on page 50.



**Special nosepieces** can be produced at short notice for specific customer applications.

### For FERRO® BOLT 4.8 mm high-strength blind rivets



321420008401	Nosepiece FERRO® BOLT 4.8 mm
--------------	------------------------------

### For 5.2 mm folding blind rivets



321420716052	Folding rivet nosepiece 5.2 mm
--------------	--------------------------------