

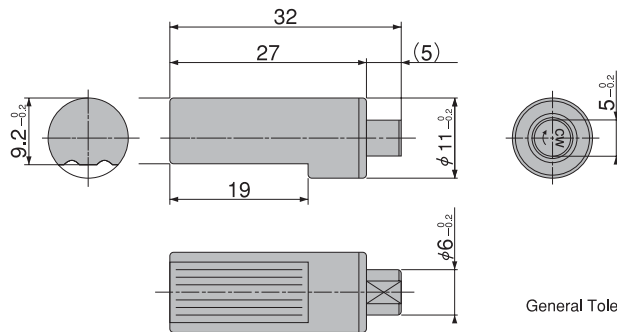
ROTARY DAMPERS

TD75 SERIES

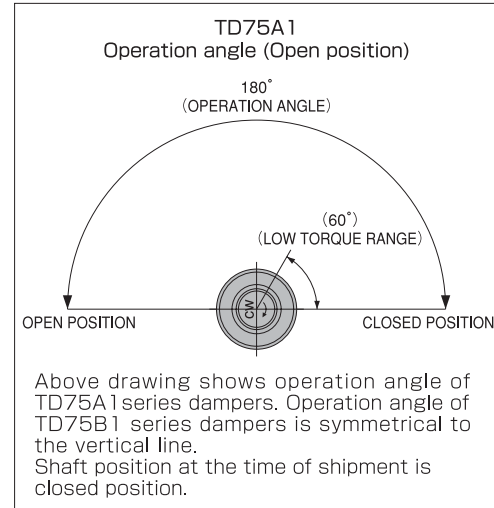


FEATURES

- RoHS compliance
- For High Temperature applications of 80 degrees C, high temperature engineered plastics can be used.
- Achieved torque of 3.43N+m for outer diameter of 20mm



General Tolerance : ±0.3

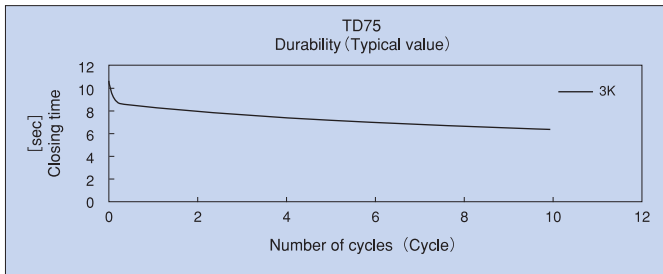


Code	Part No.	Allowable Torque [N·m] (Kgf·cm)	Direction
607504	TD75A1-1K	[0.10] (1)	CW (R)
607502	TD75A1-2K	[0.20] (2)	CW (R)
607500	TD75A1-3K	[0.29] (3)	CW (R)

Code	Part No.	Allowable Torque [N·m] (Kgf·cm)	Direction
607505	TD75B1-1K	[0.10] (1)	CCW (L)
607503	TD75B1-2K	[0.20] (2)	CCW (L)
607501	TD75B1-3K	[0.29] (3)	CCW (L)

DURABILITY

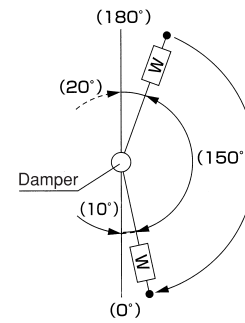
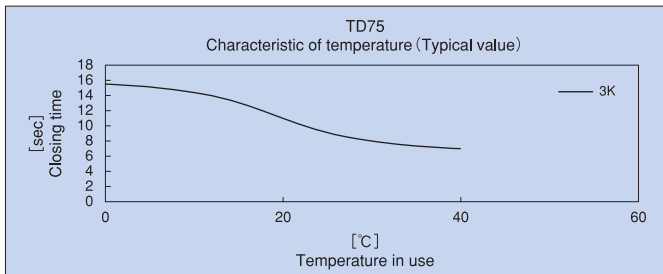
Each damper is set-up with an applied torque and weight on the shaft of the testing device. Measurements for closing time are taken under above condition.



Operation angle	180°	
Durability	100,000cycles	
Closing time	Applied torque	Initial value
	0.1 N·m (1kgf·cm)	5~15 (sec)
	0.20N·m (2kgf·cm)	5~15 (sec)
0.29N·m (3kgf·cm)	5~15 (sec)	

TEMPERATURE CHARACTERISTICS

After the damper is stabilized at room temperature for 1 hour or more, the closing time is measured using a TOK made device.



TEST CONDITION

- ①Setting-up time : 15sec./cycle
- ②Applied torque : 0.29N·m (3kgf·cm)
- ③Temp : 23°C ±2°C
- ④Angle for measuring the closing time : 160°→10°
- ⑤Radial force : nothing
- ⑥Closing time after durability test : 1 sec or more

TOK BEARING CO.,LTD.

HEAD OFFICE, TOKYO, JAPAN - TEL : 81-3-3969-1534 FAX : 81-3-3969-9354
EMAIL : overseas@tok-bearing.co.jp

Product specification are subject to change without prior notice.

Before assembly or use of any bearing, please read "Caution for Use"