



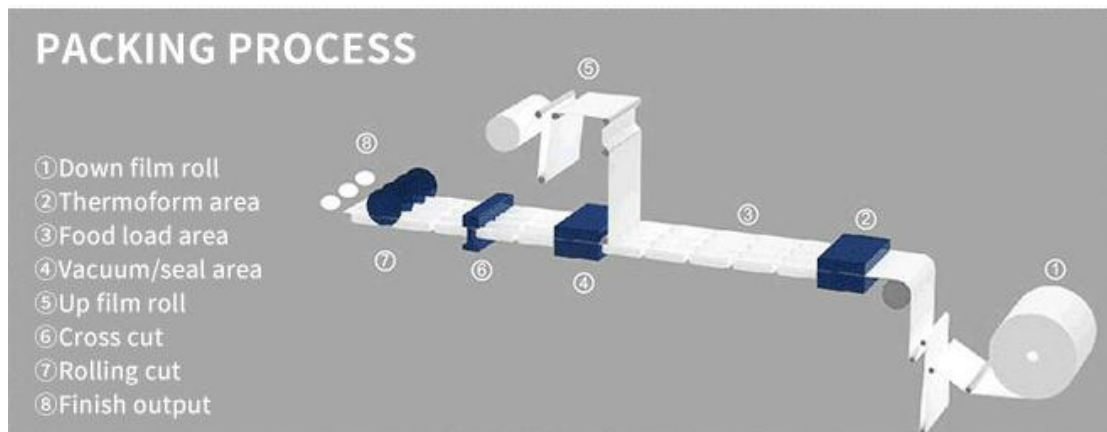
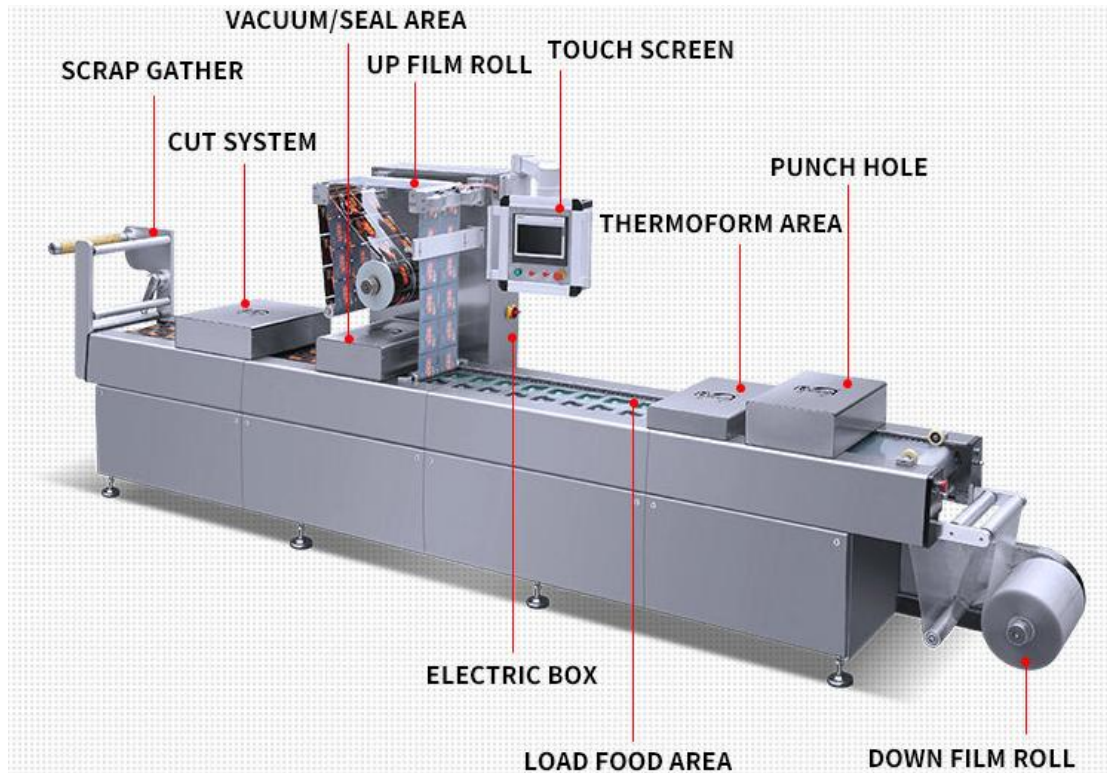
What's Rollstock Modified Atmosphere Packing Machine

Application:

Thermoforming modified atmosphere packaging mainly uses the principle of gas replacement to replace the original gas in the packaging to achieve the purpose of food preservation. Modified atmosphere preservation has the advantages of slowing down the growth of microorganisms, limiting oxidation, and using no or less preservatives to preserve food, thereby providing us with fresh and high-quality food. The use of modified atmosphere packaging for food can not only preserve freshness, but also the attractive appearance of rigid tray packaging can attract consumers' attention. At the same time, the sealing is firm and easy to tear, providing consumers with delicious taste and a comfortable packaging experience.

The product is suitable for fast and efficient packaging of dry and cold fresh meat, cooked meat products, cheese, soy products, aquatic products, poultry meat, etc. It has the characteristics of keeping food quality, fresh and shape.

Suitable for medium and large quantities of packaging. Fully automatic hard box vacuum air-conditioned packaging machine is equipped with high-efficiency and energy-saving Japanese Mitsubishi drive system, the whole machine is stainless steel and aluminum alloy structure, and the mold can be replaced. It can be customized according to customer needs. It is suitable for food packaging such as dried and fresh meat, cooked food, seafood, fruits and vegetables, cakes, etc. The mixed gas is filled in the tray so that the packaged food can keep the original taste, color, shape, nutrition and preservation period of the food for a long time. , from automatic forming tray - manual feeding - automatic packaging - automatic cutting - automatic output. Packaging output is also particularly fast and efficient. Fully automatic hard box vacuum air-conditioned packaging machine is multi-purpose, and 1 can be vacuum body-packed. 2. Inflatable (single gas) packaging. 3. Modified atmosphere packaging and other forms of packaging can be produced, and various supporting devices can be configured according to needs (such as: robot feeding-decomposition conveyor belt-foreign object detection-weighing-labeling, etc.) to expand the automated production line. It saves human resources, is fast and convenient, and can meet the needs of high-capacity production and packaging.



Rollstock Packing Machine Feature:

1 Alloy frame.

Completely abandon the iron channel steel frame structure, this machine adopts cold-drawn aluminum-magnesium alloy frame body and stainless steel channel steel connection support surface covered with 304 stainless steel door, corrosion resistance, good straightness, high structural strength, not easy to deform . It ensures the transmission accuracy of the packaging film and other characteristics, and is suitable for use in various environments.

2 JAPAN PLC CONTROL SYSTEM

Adopts Japan's Mitsubishi PLC programmable controller and Mitsubishi control module, and the American Banner color sensor adopts Mitsubishi servo control system. Can meet your high requirements, high performance and high precision.

3 GERMAN VACUUM PUMP

Adopt German BUSCH 200m³/h, high vacuum vacuum pump, the flow rate from 100-300m²/hz ,ultimate vacuum to 0.5mbar, high vacuum, durable and reliable.

4 UP FILM ROLL.

The specially designed upper film tensioning mechanism adopts American Banner sensor and cooperates with Japan's Mitsubishi PLC control system. It can ensure stable operation under high working intensity.

5 DOWN FILM ROLL

The specially designed lower film integral brake mechanism, the lower film is fixed by an air expansion shaft, which ensures the smooth feeding of the lower film and makes the upper film and the lower film align accurately

6 Forming Die System

The use of replaceable molds is easy to replace, and one machine is multi-purpose to meet the needs of different products. The mold spare has a cooling system, which is more stable and durable. The mold is made of aluminum-magnesium alloy material, finely carved and surface oxidized, and the packaging shape, thickness, pattern, shape and size, LOGO, etc. can be customized arbitrarily, which is very personalized.

7 Advanced vacuum and heat sealing system

The vacuum and heat sealing studio is designed with an independent lifting system, which can ensure no deformation or displacement under the sealing pressure of up to 3 tons, ensuring long-term use, no maintenance, and durability.

8 Integral die system with reliable performance

The special cutting system can be used to cut different materials. The commonly used punching system for hard films ensures smooth, smooth and burr-free punching. The soft film is commonly used with slitting and cross-cutting knife cutting systems to ensure high-speed, smooth and beautiful cutting.



9 Smart waste collection system

Adopt dual-machine design, independent waste recycling system, stable recycling, convenient disassembly and assembly, and maintain environmental hygiene.

10 CODING MECHANISM.

The nozzle is installed on the conveying guide rail through the coding mechanism, and the coding mechanism is used for lateral movement and vertical movement to accurately spray (production date, etc.) on the packaging. Automatic coding greatly improves production efficiency, reduces labor intensity and production cost, avoids the influence of human factors, and the coding position is accurate, ensuring the quality of coding.

11 EMERGENCY STOP

The equipment is equipped with an emergency stop switch, which can be pressed to terminate all ongoing work in case of abnormal conditions to ensure personal safety.

12 304 STAINLESS STEEL AND CURVED DESIGN.

The material of the equipment body is made of 1.5MM 304 stainless steel, which has the characteristics of corrosion resistance, strong durability and so on. To ensure stable and long-lasting operation of the machine in various working environments. The surface of the casing adopts a curved design, which is especially suitable for the operator's waistline comfort and security. We have humanized design for every detail.

13 Forming tray

The thermoforming stretch film packaging machine uses the air pressure on both sides of the film after the preheating of the lower film to push the film down to cover the mold to form a unique tray shape to complete the packaging and forming process. It can be in one mold, one time/out two, three, four, six, eight, etc., depending on the packaging size, the process is fast, uniform, the effect is beautiful, and it is hygienic and safe.

14 Optional Modified Atmosphere Mixer

It is suitable for the packaging of fresh meat, cooked meat, seafood, fruits and vegetables, cakes and other foods, which well maintains the original taste, color, shape, nutrition and fresh-keeping period of the food. One or three kinds of fresh-keeping gases such as (oxygen, carbon dioxide,



nitrogen) and other gases are mixed and filled into the packaged items to meet the different needs of users and achieve the effect of fresh-keeping

16 STAINLESS STEEL CLADDING CHAIN

Taiwan Stainless Steel Famous Brand High Quality Laminate Chain

Good rigidity, corrosion resistance, high precision and long service life.

17 ELECTRICAL SYSTEM

The use of French Schneider Electric components has a longer service life and greater adaptability. Effectively prevent equipment failures and affect production

18 QUALITY BEARING

The bearing is German FALA brand. It has low friction, flexible operation, strong rigidity and large bearing capacity.

19 HIGH PRECISION BANNER SENSOR SYSTEM

American Banner color sensor, photoelectric detection method has the advantages of high precision, fast response, non-contact and so on.

20 HEAVY FOOT SUPPORT .

Bottom mounted and industrial shockproof, Non-slip adjustable feet.

21 HIGH CONFIGURATION SERVO MOTOR

The film adopts Mitsubishi servo control system, etc., which can meet your high requirements, high performance and high precision.

22 LEAKAGE PROTECT .

In order to use safety, each of our machine has installed a leakage protection system to protect the safety of effective operators.

23 TEFLON CAST ALUMINIUM HEATING PLATE

The heating plate adopts advanced integral casting heating plate to make the temperature rise of each part of the heating plate uniform and the service life is long. Completely solve the uneven temperature rise of the old-fashioned multi-heating tube inlaid heating plate

24 THE BIG FILTER

We install filters independently for each equipment to effectively protect the service life of the vacuum pump..

25 For the Package Material

Up film: Sealable PE Film,with orwithout print

Down film:

26 Options

The thermoforming stretch film packaging machine can automatically stretch, seal, slit and output packaging from rolled film sheets. At the same time, various third-party auxiliary equipment can be selected, such as: manipulator, automatic filling equipment, weighing head, conveyor belt, inkjet printer, labeling machine, ultraviolet sterilization, metal detection and other supporting equipment, which can save a lot of manpower resource.

Coding system, liquid canning system, automatic feeding system,T-400 4 punch fillet system, coding system , automatic feeding and electronic feeding system,Robot feeding system.

27 Tips

Air compressor need Need 3 Phase voltage

Thermoforming Vacuum Packing Machine Detail Picture



1 ALLOY FRAME



2 JAPAN PLC



3 GERMAN VACUUM PUMP



4 UP FILM ROLL



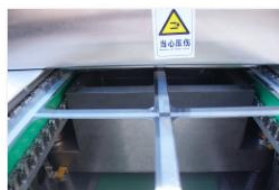
5 DOWN FILM ROLL (2)



6 FLEXIBLE MOLD SET 1



7 VACUUMSEAL SYSTEM



8 Integral die system



9 SCRAP GATHER SYSTEM (2)



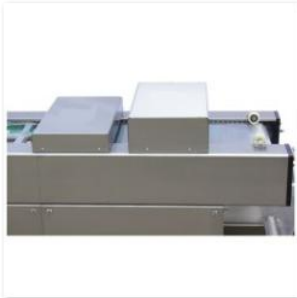
10 PRINTER MOVING SYSTEM



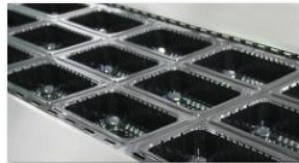
11 EMERGENCY STOP



12 FOOD GRADE 304SS



13 13 Forming tray



13 13 Forming tray



14 Optional Modified Atmosphere Mixer



16 STAINLESS STEEL CHAIN



17 ELECTRICAL SYSTEM



18 QUALITY BEARING



19 HIGH PRECISION BANNER SENSOR SYSTEM



20 HEAVY FOOT SUPPORT



21 JAPAN FUJI SERVO MOTOR



22 LEAKAGE PROTECT



23 TEFLON HEAT PLATE



24 THE BIG FILTER



Vacuum Packing Machine Parameter

Model	WEZ-320MP	WEZ-420MP	WEZ-520MP
Up film width	295mm	395mm	495mm
Down filmwidth	322mm	422mm	522mm
Container depth	≤100mm	≤120mm	≤150mm
Voltage	13~18KW	13~18KW	13~18KW
Power customize	380V(220V)50/60H,3ph	380V(220V)50/60H,3ph	380V(220V)50/60H,3ph
Packing speed	4~5 circle/min	4~6 circle/min	5~8 circle/min
Overall size	5380*965*1880mm	6150*1080*1880mm	6200*1180*1880mm
Net weight	1820kg	2200Kg	2400Kg
Container shape			
Forming method	thermoforming packing		
Package type	MAP Modified Atmosphere Packing Machine		
Easy open aid	Easy tear corner		
Printer	Option		
Filling system	Option		
Vacuum pump	BUSCH		
Electric elements	SCHNEIDER		
Pneumatic elemer	SMC AirTAC		
Touch screen	SIEMENS		
PLC/Servo motor	MITSUBISHI		

Sample





Video

<https://www.youtube.com/embed/OUJSDW9JImk>

<https://www.youtube.com/embed/M6N6dSi2zjU>

Installation Service

- 1.we provide videos and instruction manual to show the process of installation.
- 2.we provide training for installation for free in our factory.
- 3.we can send technician to buyer's factory to install the machine and provide training course.

After Sales Service

- 1.One year warranty and free lifetime technique support.
- 2.Free spare parts would be supplied if machine broken within warranty period.
- 3.After the warranty period, the spare parts for replacement are offered based on certain charge.