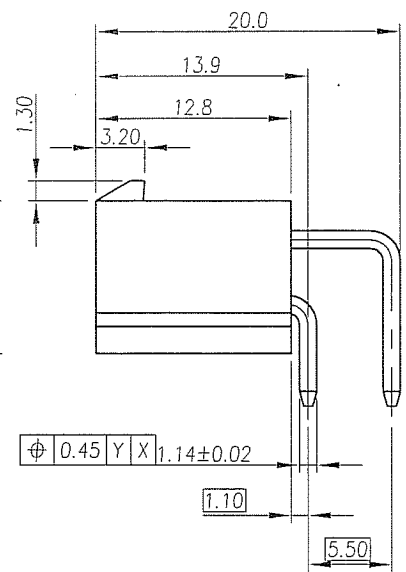
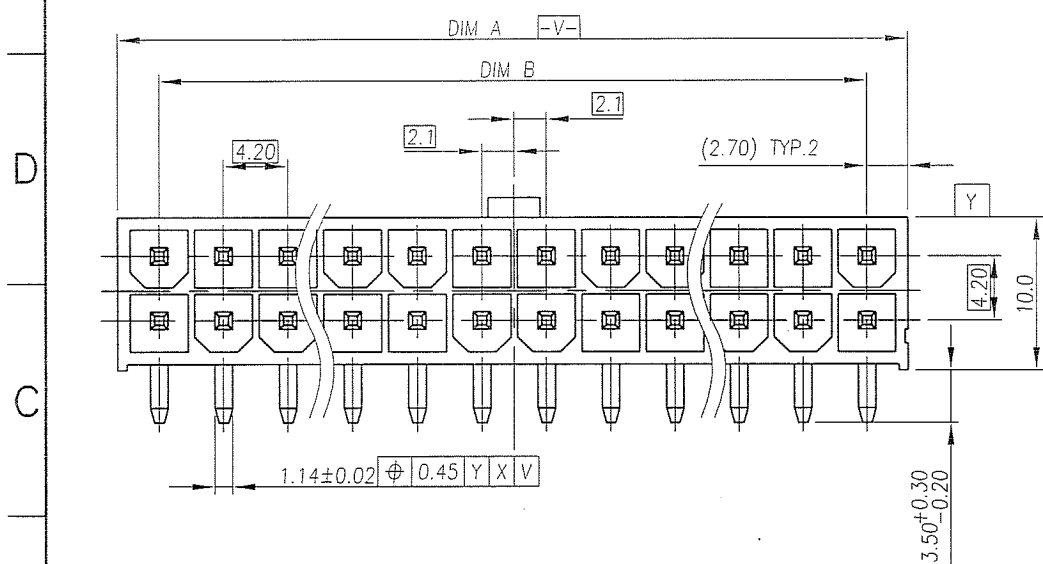


REV	MODIFICATION	DATE	DRAW
C	EN-06-0931	95/09/22	TERENCE
D	EN-07-1117	96/11/08	SAN
E	EN-10-0429	99/04/27	Stacy

Part No.	DIM.A	DIM.B
MIFRM-202TTX000	5.4	
MIFRM-204TTX000	9.6	4.20
MIFRM-206TTX000	13.9	8.40
MIFRM-208TTX000	18.1	12.60
MIFRM-210TTX000	22.3	16.80
MIFRM-212TTX000	26.5	21.00
MIFRM-214TTX000	30.8	25.20
MIFRM-216TTX000	35.0	29.40
MIFRM-218TTX000	39.2	33.60
MIFRM-220TTX000	43.4	37.80
MIFRM-222TTX000	47.6	42.00
MIFRM-224TTX000	51.8	46.20

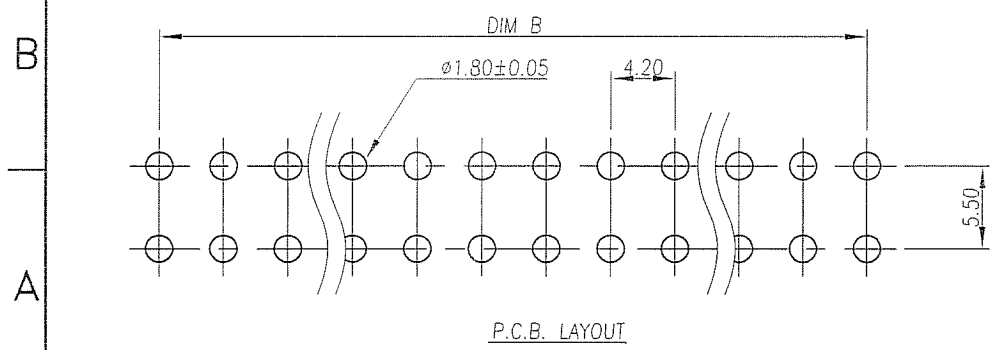
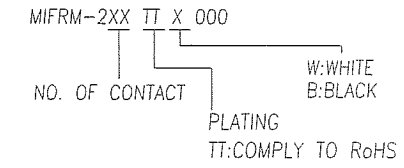


NOTES:

1.MATERIAL:

- HOUSING: Nylon 66
- CONTACT: Brass
- CONTACT PLATING : TIN PLATING FOR ALL.

2.ORDERING INFORMATION



DIMENSION IN mm [Inch]		PROD. SPEC.		KINGFONT PRECISION INDUSTRIAL CO., LTD.	
TOLERANCE UNLESS OTHERWISE SPECIFIED		PKG. SPEC.		TITLE MINI FIT CONN. R/A TYPE 4.2mm PITCH	
.X±0.35	.X'± 1'	APPROV <i>Comm</i>		CUSTOMER DRAWING	
.XX±0.20	.X'± 0.5'	CHECK <i>Joy</i>		FILE NO. DWG NO. MIFRM-2XXTTX000	
.XXX±	.XX'± 0.25'	DRAW <i>Sto</i>		SIZE A4	
				PROJ.  SHEET 1 / 1	
				SCALE 2:1 REV E	