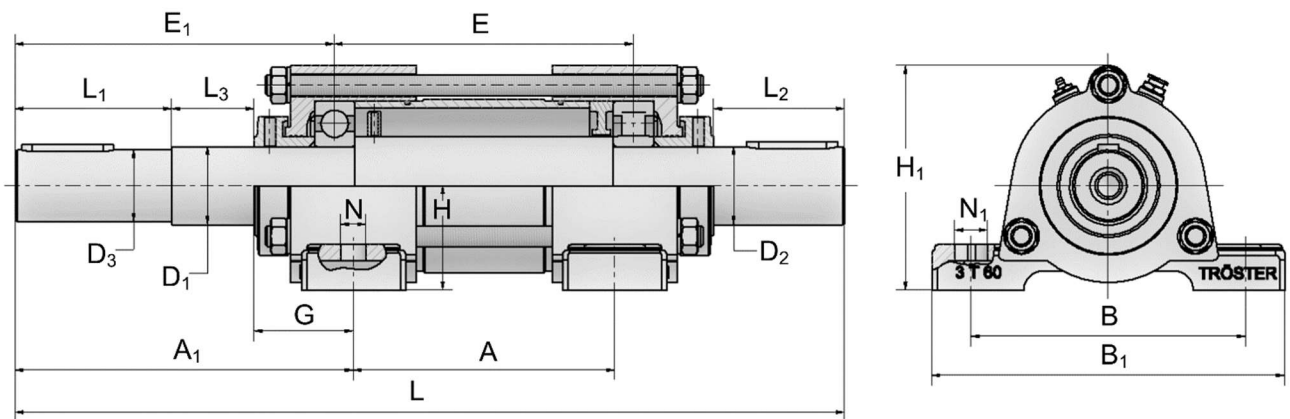


Technical Datasheet

Block Bearing 32 / 34 T xx

- × Horizontal and vertical arrangement possible
- × Diameter and length of the trunnions and dimension A freely selectable
- × Design of the bearing according to specific load, all rolling bearing combinations can be realized
- × contactless labyrinth seals



All dimensions not listed in the table are freely selectable!

Size of Block Bearing	Rolling Bearings		G [mm]	∅ Bearing seat [mm]	B [mm]	B ₁ [mm]	H [mm]	H ₁ [mm]	N [mm]	N ₁ [mm]
32 / 34 T 30	6306	NU 306	50,5	30	130	170	50	104	∅ 14	-
32 / 34 T 40	6308	NU 310	56,5	40	150	190	60	130	∅ 14	-
32 / 34 T 50	6310	NU 310	63,5	50	170	210	70	148	∅ 15	-
32 / 34 T 60	6312	NU 312	76	60	210	270	80	172	19	25
32 / 34 T 70	6314	NU 314	80	70	230	290	95	198	23	30
32 / 34 T 80	6316	NU 316	90	80	260	320	112	235	23	30
32 / 34 T 90	6318	NU 318	97	90	290	350	112	248	23	30
32 / 34 T 100	6320	NU 320	101	100	320	400	130	279	23	30