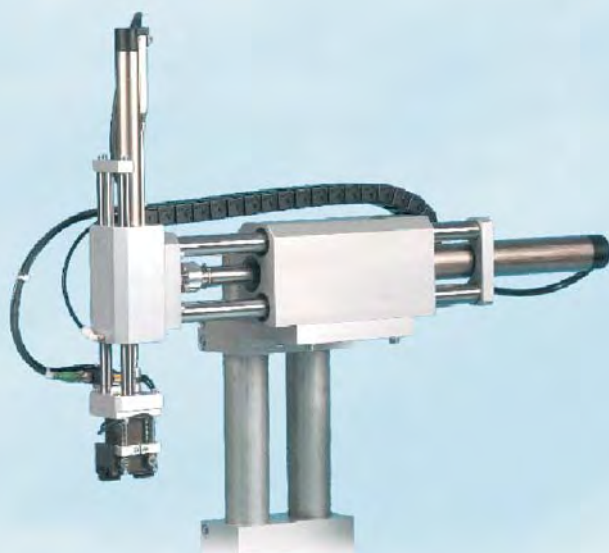




AVM
Automation

Linear guides for LinMot® motors



Stainless steel

Catalogue Lin20e

ZA F - 68190 RAEDERSHEIM

Tél: +33 (0)3.89.83.69.40

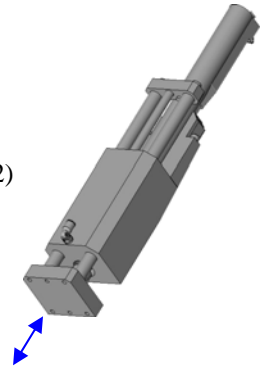
Fax: +33 (0)3.89.83.69.41

avm@avm-automation.fr

www.avm-automation.fr

Description :

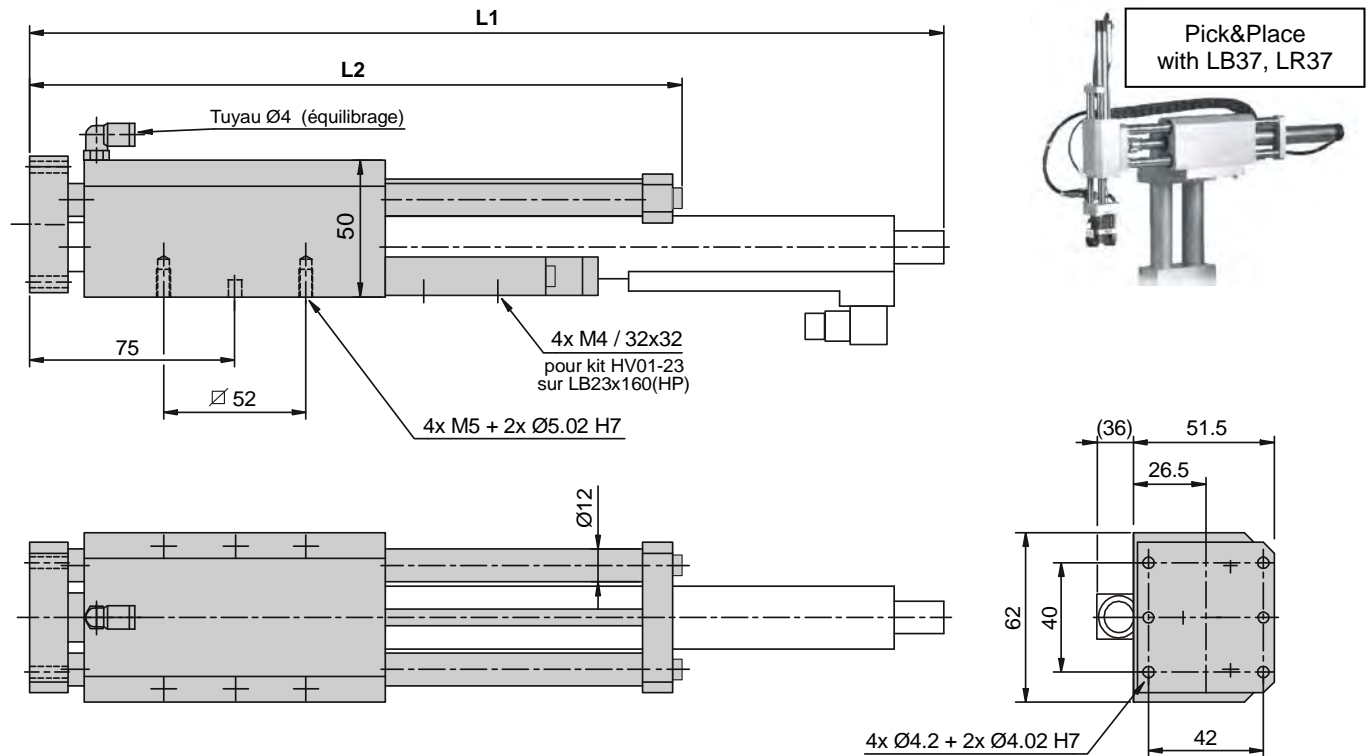
- Guided by 2 rods Ø12 on 4 ball bearings
- **Pneumatic balancing :**
pressure must be regulated between 1 and 4 bars according to the load (cylinder Ø12)
- Internal stop for « move in » initialization
- Sold without motor
- Option : . 1 fan set HV01-23 (not supplied) only for LB23x160(HP)
. Front wiper-ring integrated in housing (Order Nb : **8319171**)
=> SS offset : +4 mm



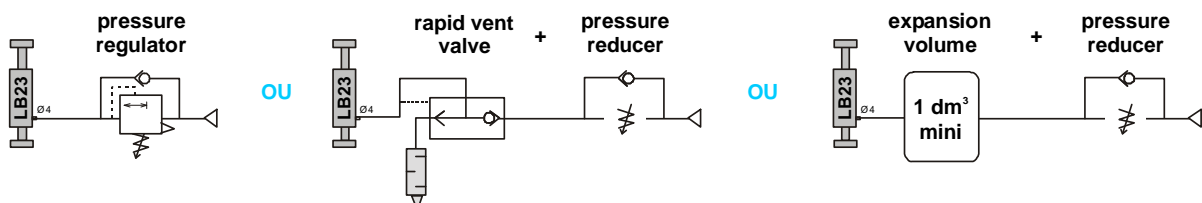
Module	Stroke (mm)	For Linmot® P01-23x...	Order No.	Maxi carried payload (kg)	SS position	Weight* (kg)	Weight in motion (kg)	L1 (mm)	L2 (mm)
LB23x80	55	80/50x110	8311110	0,6	+2 / +52	0,890	0,460	227	205
LB23x80HP	45	80F/40x100HP	8311145	1,5	+2 / +42	0,880	0,450	227	195
	75	80F/70x130HP	8311175	1,5	+2 / +72	0,930	0,500	237	225
	90	80F/100x160HP	8311190	1,5	+2 / +90	0,950	0,520	267	240
	150	80F/140x200HP	8311195	1,2	+2 / +142	1,180	0,730	307	360
LB23x160	90	160/70x210	8311200	2	+2 / +72	1,050	0,520	307	240
	150	160/130x270	8311295	1,6	+2 / +132	1,280	0,730	367	360
LB23x160HP	65	160H/60-200HP	8311365	3	+2 / +62	1,010	0,480	297	215
	90	160H/80-220HP	8311390	3	+2 / +82	1,050	0,520	317	240
	150	160H/140-280HP	8311395	2,5	+2 / +142	1,280	0,730	377	360

* Weight without motor - Guide friction : 2 N - Maxi speed : 2 m/s - Maxi acceleration : 50 m/s²

Dimensions :

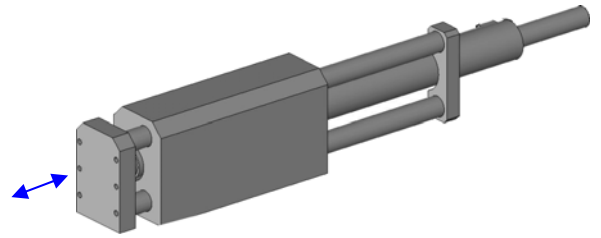


Pneumatic balancing :



Description :

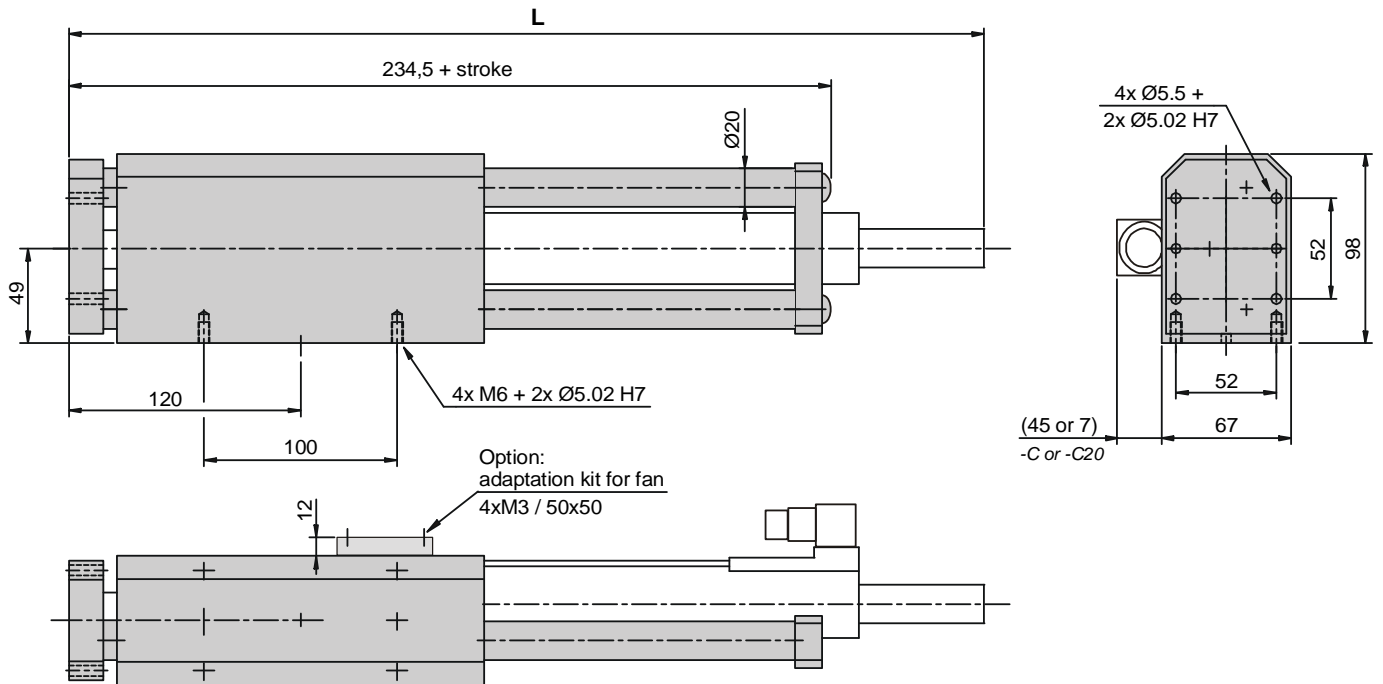
- Guided by 2 rods Ø20 on 4 ball bearings
- Internal stop for « move in » initialization
- Sold without motor
- Options : . Cable carrier
 - . Adaptation kit for fan 60x60 (Order No. : **8319193**)
 - . Front wiper-ring integrated in housing (Order No. : **8319172**) => SS offset: +6 mm



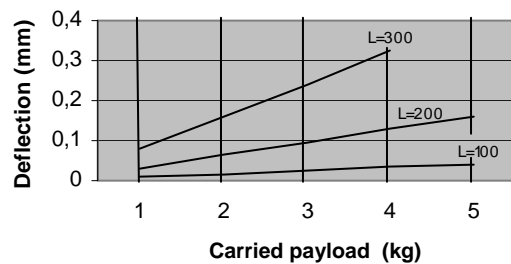
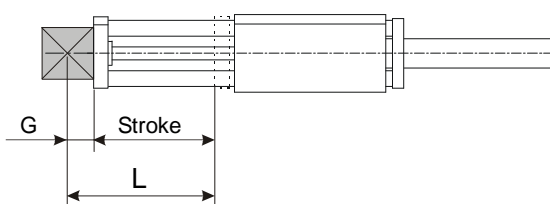
Module	Stroke (mm)	For Linmot® P01-37x...	Order No.	Maxi carried payload (kg)	SS position (mm)	Weight* (kg)	Weight in motion (kg)	L (mm)
LB37x120HP	100	120F/100x180HP	8314110	6,500	0 / +100	4,100	1,900	343,5
	160	120F/160x240HP	8314116	5,200	0 / +160	4,300	2,150	403,5
	200	120F/200x280HP	8314120	4,700	0 / +200	4,600	2,400	443,5
	300	120F/300x380HP	8314130	4,000	0 / +300	5,100	2,900	543,5
LB37x240	160	240/160x360	8314300	5,200	0 / +160	4,500	2,150	523,5
	200	240/160x360	8314400	4,700	+20 / +180	4,800	2,400	543,5
	300	240/160x360	8314500	4,000	+70 / +230	5,300	2,900	593,5
	300	240/260x460	8314530	4,000	+20 / +280	5,300	2,900	643,5

* Weight without motor - Guide friction : 6 N - Maxi speed : 2 m/s - Maxi acceleration : 50 m/s²

Dimensions :

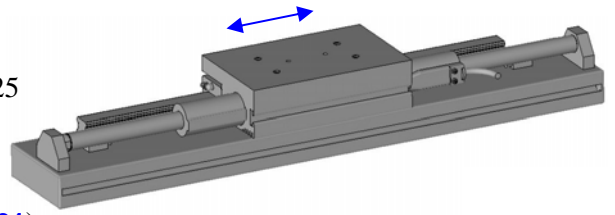


Deflection (mm) :



Description :

- Guided by 2 carriages with 4-row balls on 1 guideway size 25
- Internal stop for « move in » or « move out » initialization
- Sold without motor
- Options : . Cable carrier (see page 10)
- . Support for sensor MS01-1D (Order No. : **8353991**)
- . 1 or 2 fan set HV01-23 on LR37x120HP (not supplied)
- . Lengthen girder : on 1 side : **/LA** or **/LAO** – on both sides : **/LA2** after Order No.



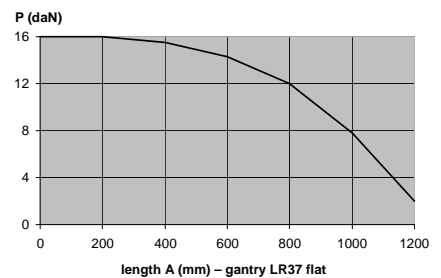
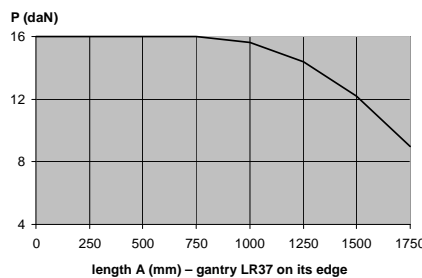
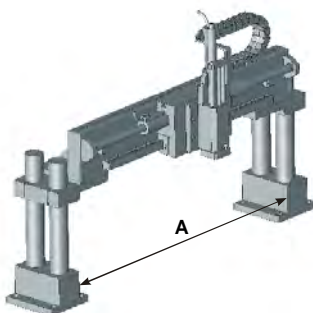
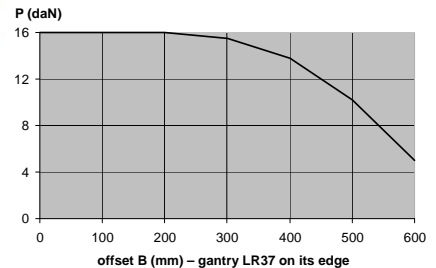
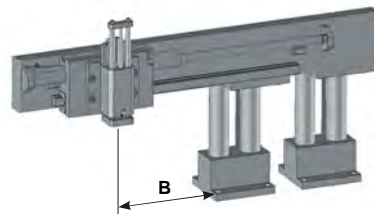
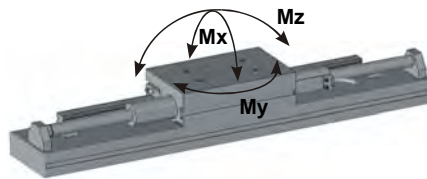
Module	Stroke (mm)	For Linmot®: P01-37x...	Order No.	SS position	Weight* (kg)	Weight in motion (kg)	Slider LS
LR37x120HP	100	120F/100x180HP	8353001	0 / +100	5,100	2,600	300
	200	120F/200x280HP	8353101	0 / +200	5,800	2,600	400
	300	120F/300x380HP	8353201	0 / +300	6,500	2,600	500
	400	120F/400x480HP	8353301	0 / +400	7,200	2,600	600
	500	120F/500x580HP	8353401	0 / +500	7,900	2,600	700
	600	120F/600x680HP	8353501	0 / +600	8,600	2,600	800
	700	120F/700x780HP	8353601	0 / +700	9,400	2,600	900
	800	120F/800x880HP	8353701	0 / +800	10,100	2,600	1000
	1000	120F/1000x1080HP	8353801	0 / +1000	11,500	2,600	1200
	1200	120F/1200x1280HP	8353901	0 / +1200	13,000	2,600	1400
	1400	120F/1400x1480HP	8353981	0 / +1400	14,400	2,600	1600
Strokes 1800 and 2100 on request							
LR37x240	150	240/160x360	8353000	0 / +107	6,500	2,600	500
	250	240/260x460	8353100	0 / +207	7,200	2,600	600
	350	240/360x560	8353200	0 / +307	7,900	2,600	700
	450	240/460x660	8353300	0 / +407	8,600	2,600	800
	550	240/560x760	8353400	0 / +507	9,400	2,600	900
	650	240/660x860	8353500	0 / +607	10,100	2,600	1000
	850	240/860x1060	8353600	0 / +807	11,500	2,600	1200
	1050	240/1060x1260	8353700	0 / +1007	13,000	2,600	1400
	1250	240/1260x1460	8353800	0 / +1207	14,400	2,600	1600
	Stroke 1650 on request						

* Weight without motor - Guide friction : 15 N - Maxi speed : 4 m/s - Maxi acceleration : 100 m/s²

Admissible torque and load:

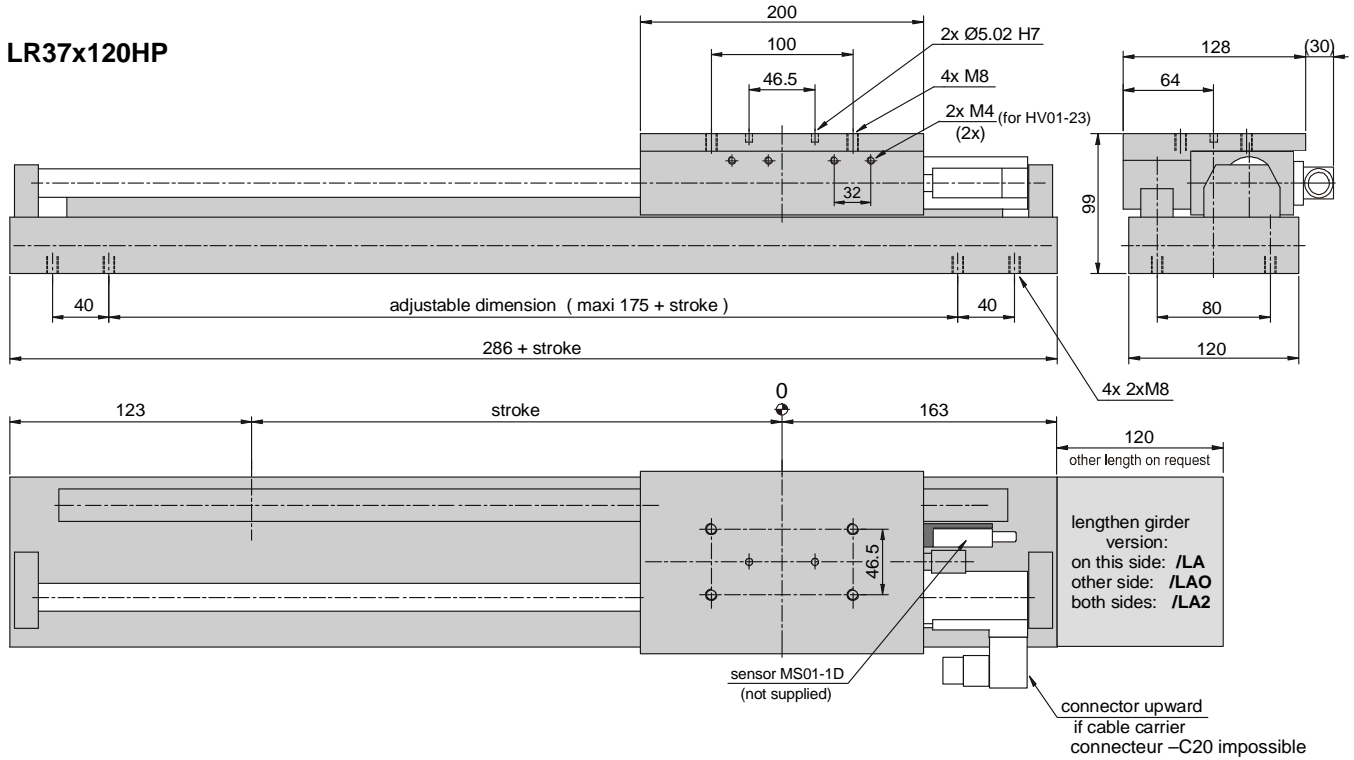
Mx = 51 Nm maxi
 My = 72 Nm maxi (not added up)
 Mz = 72 Nm maxi

Maxi carried payload :
 => see **P** value in charts
 deflection <0,1 mm at maxi load

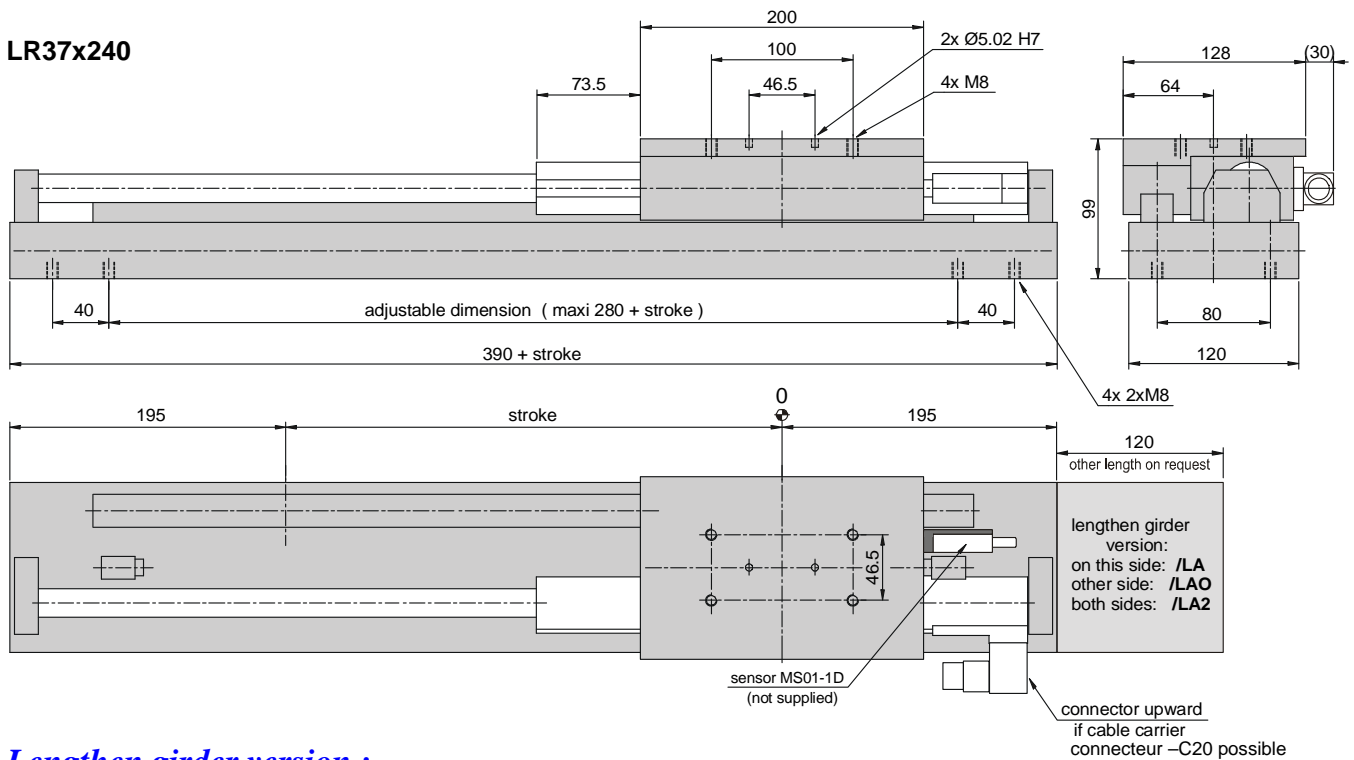


Dimensions :

LR37x120HP



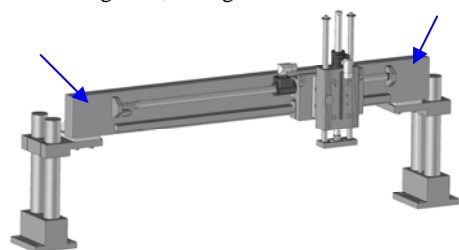
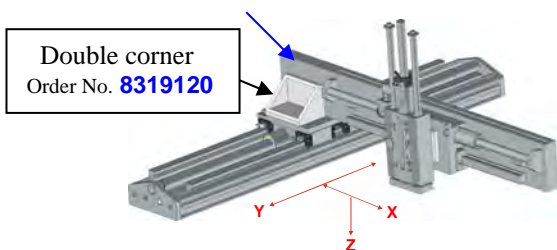
LR37x240



Lengthen girder version :

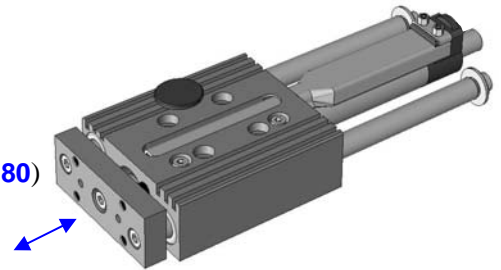
- on 1 side : /LA or /LAO (after Order No.)
 example : fixation on its edge, by the extremity
 additional weight : 0,520 kg

- on both sides : /LA2 (after Order No.)
 example : to move away the stands of a gantry
 additional weight : 1,040 kg



Description :

- Guided by 2 rods Ø12 on 4 ball bearings
- Internal stop for « move in » initialization
- Sold without motor
- Options :
 - . Mechanical rod lock
 - . Adaptation kit for MagSpring™ M01-20 (Order No. : **8319180**)
=> stroke reduced of -3 mm
 - . Fan set HV01-23 (not supplied)
Be careful : fan set can not be mounted with MagSpring™
 - . Front wiper-ring integrated in housing (Order No. : **8319171**)
=> SS offset : +4 mm



Module	Stroke	For Linmot® P01-23x...	Order No.		SS position	Weight* (kg)	Weight in motion (kg)	Slider LS
			without rod lock	with rod lock				
LE23x80	70	80/50x110	8300007	8300207	+11 / +61	0,850	0,370	190
	170	80/150x210	8300017	8300217	+11 / +161	1,020	0,540	290
	230	80/210x270	8300023	8300223	+11 / +221	1,130	0,640	350
	300	80/280x340	8300030	8300230	+11 / +291	1,250	0,760	420
LE23x80HP	50	80F/40x100HP	8301005	8301205	+1 / +41	0,810	0,330	170
	80	80F/70x130HP	8301008	8301208	+1 / +71	0,865	0,385	200
	110	80F/100x160HP	8301011	8301211	+1 / +101	0,925	0,435	230
	150	80F/140x200HP	8301015	8301215	+1 / +141	0,980	0,510	270
	170	80F/160x220HP	8301017	8301217	+1 / +161	1,020	0,540	290
	230	80F/220x280HP	8301023	8301223	+1 / +221	1,130	0,640	350
	300	80F/290x350HP	8301030	8301230	+1 / +291	1,250	0,760	420
LE23x160	90	160/70x210	8302009	8302209	+11 / +81	0,970	0,400	290
	150	160/130x270	8302015	8302215	+11 / +141	1,060	0,510	350
	220	160/200x340	8302022	8302222	+11 / +211	1,195	0,625	420
	280	160/260x400	8302028	8302228	+11 / +271	1,295	0,725	480
LE23x160HP	70	160H/60x200HP	8303007	8303207	+1 / +61	0,930	0,370	270
	90	160H/80x220HP	8303009	8303209	+1 / +81	0,970	0,400	290
	150	160H/140x280HP	8303015	8303215	+1 / +141	1,060	0,510	350
	220	160H/210x350HP	8303022	8303222	+1 / +211	1,195	0,625	420
	280	160H/270x410HP	8303028	8303228	+1 / +271	1,295	0,725	480

* Weight without motor - Guide friction : 3 N - Maxi speed : 2 m/s - Maxi acceleration : 50 m/s²

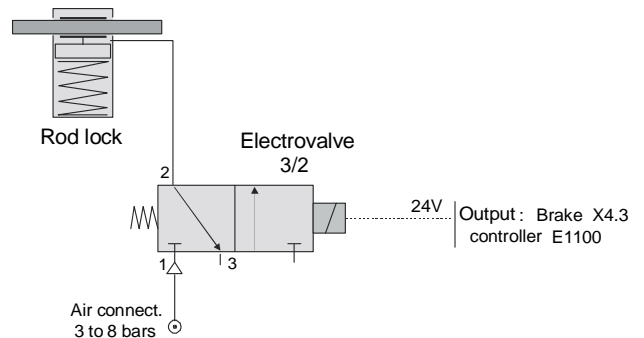
=> all other stroke on request

Deflection (mm) : (horizontal)



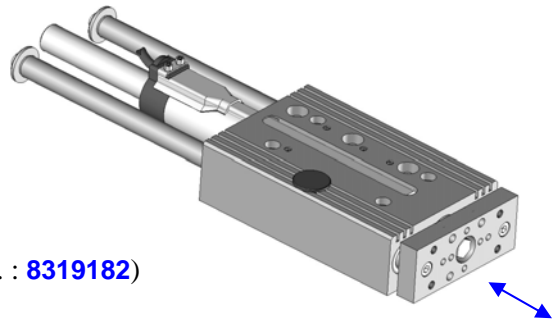
Rod lock :

Clamping force : 600 N



Description :

- Guided by 2 rods Ø16 on 4 ball bearings
- Internal stop for « move in » initialization
- Sold without motor
- Options :
 - . Mechanical rod lock
 - . Adaptation kit for MagSpring™ M01-37 (Order No. : **8319182**)
=> stroke reduced of -2 mm
 - . Adaptation kit for fan 60x60 (Order No. : **8319193**)
Be careful : fan set can not be mounted with MagSpring™
 - . Front wiper-ring integrated in housing (Order No. : **8319172**)
=> SS offset : +6 mm

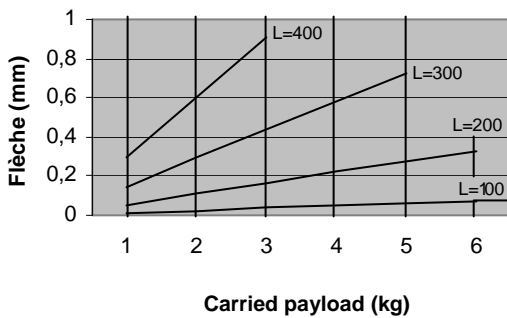


Module	Stroke	For Linmot® P01-37x...	Order No.		SS position	Weight* (kg)	Weight in motion (kg)	Slider LS
			without rod lock	with rod lock				
LE37x120	110	120/80x160	8304011	8304211	+18 / +98	2,630	1,130	300
	210	120/180x260	8304021	8304221	+13 / +193	2,930	1,430	395
	310	120/280x360	8304031	8304231	+18 / +298	3,230	1,730	500
	410	120/380x460	8304041	8304241	+18 / +398	3,530	2,030	600
LE37x120HP	50	120F/40x120HP	8305005	8305205	0 / +38	2,450	0,950	240
	110	120F/100x180HP	8305011	8305211	0 / +98	2,630	1,130	300
	170	120F/160x240HP	8305017	8305217	0 / +158	2,810	1,310	360
	210	120F/200x280HP	8305021	8305221	0 / +198	2,930	1,430	400
	310	120F/300x380HP	8305031	8305231	0 / +298	3,230	1,730	500
	410	120F/400x480HP	8305041	8305241	0 / +398	3,530	2,030	600
LE37x240	90	240/60x260	8306009	8306209	+13 / +73	2,750	1,070	395
	200	240/160x360	8306020	8306220	+18 / +178	3,080	1,400	500
	300	240/260x460	8306030	8306230	+18 / +278	3,380	1,700	600
	400	240/360x560	8306040	8306240	+18 / +378	3,680	2,000	700

* Weight without motor - Guide friction : 6 N - Maxi speed : 2 m/s - Maxi acceleration : 50 m/s²

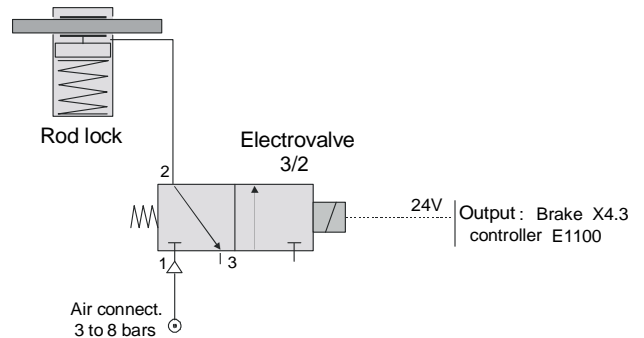
=> all other stroke on request

Deflection (mm) : (horizontal)



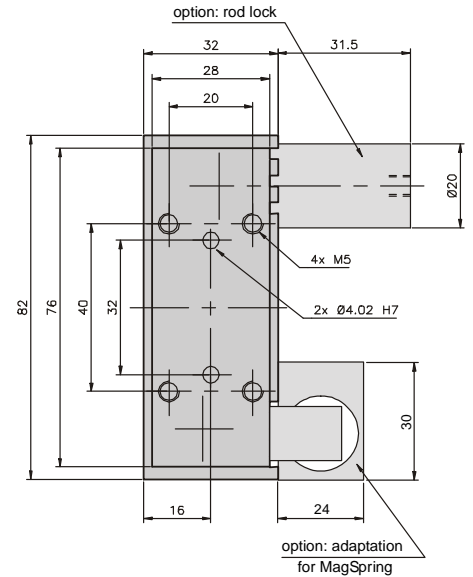
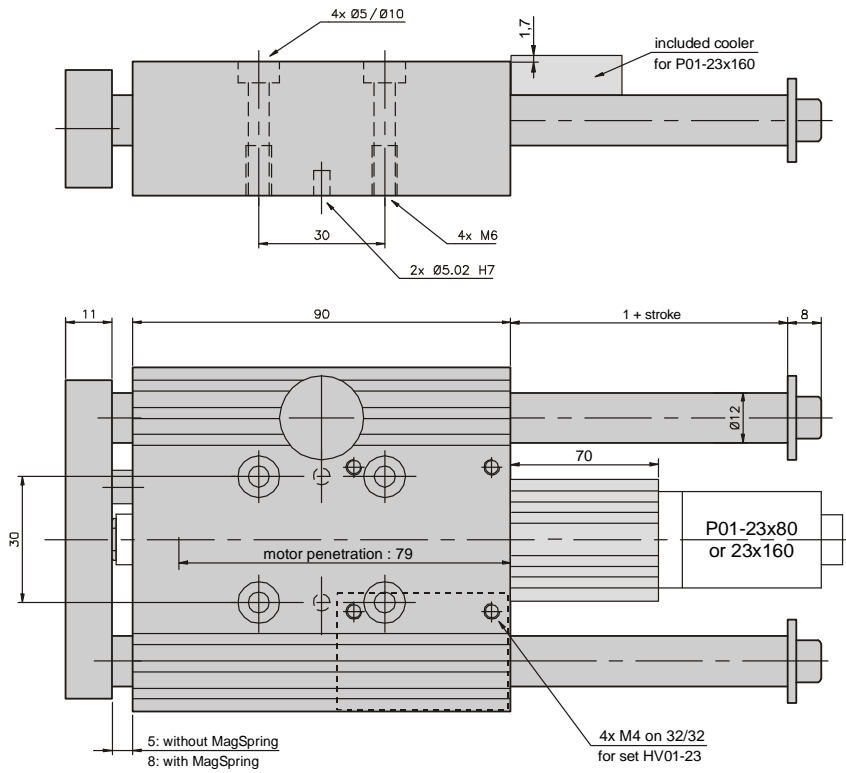
Rod lock :

Clamping force : 1000 N

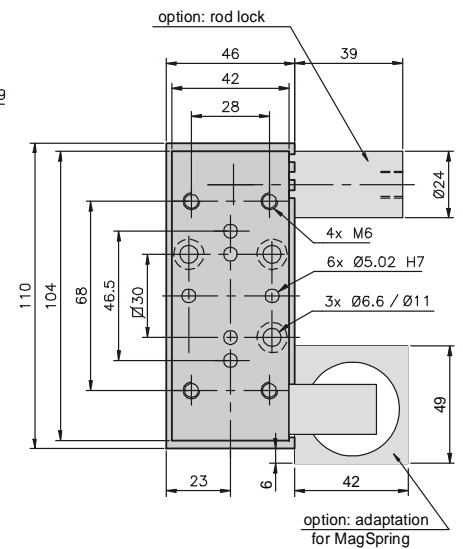
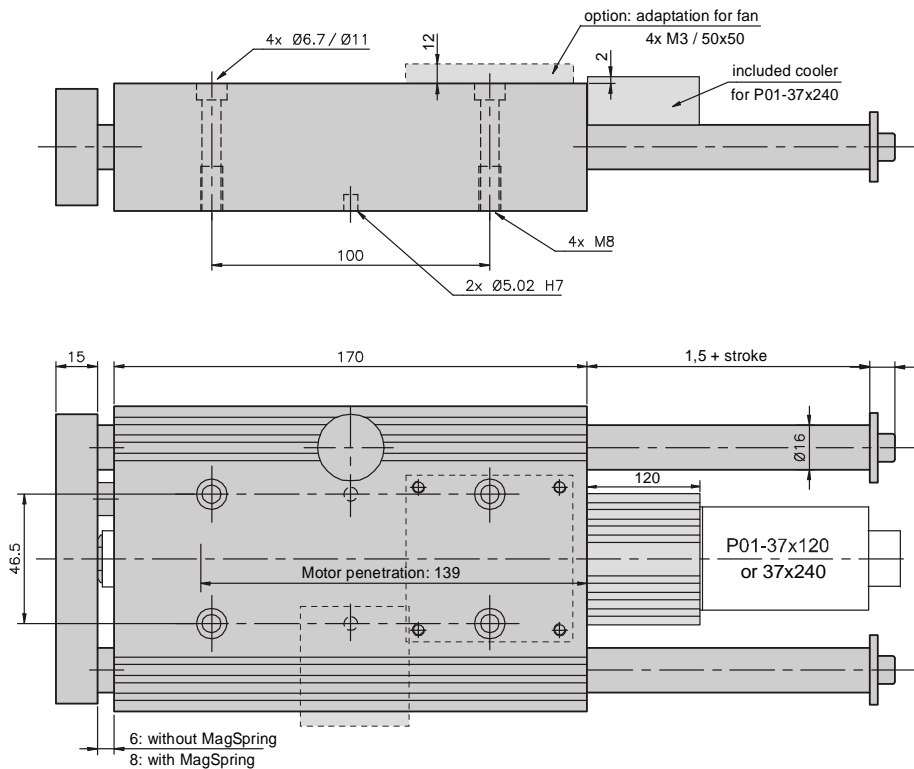


Dimensions :

LE23

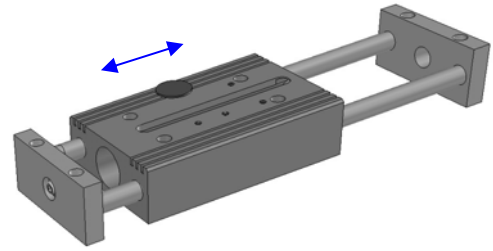


LE37



Description :

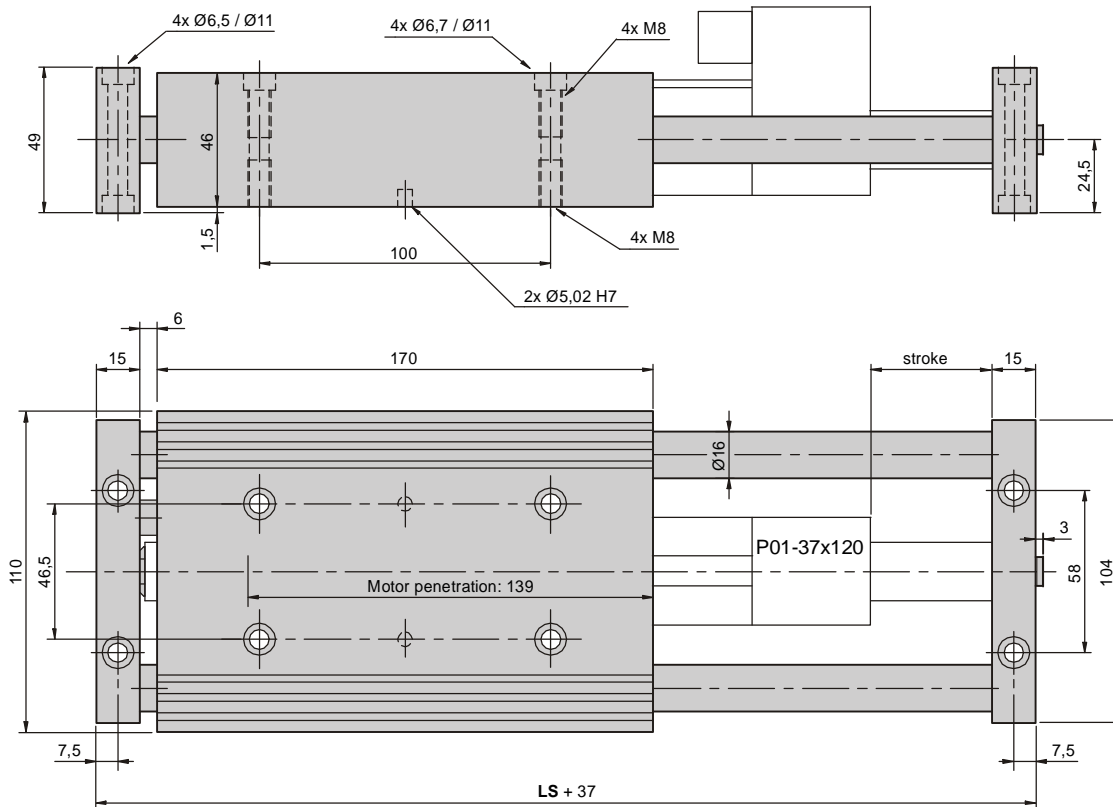
- Guided by 2 rods Ø16 on 4 ball bearings
- Radial fixing on 2 end plates
- Internal stop for « move in » initialization
- Sold without motor



Module	Stroke	For Linmot® P01-37x...-C	Order No.	SS position	Weight* (kg)	Weight * in motion	Slider LS
LE37Dx120	52	120/80x160	8304405	+18 / +52	2,850	1,400	300
	147	120/180x260	8304414	+18 / +147	3,100	1,400	395
	252	120/280x360	8304425	+18 / +252	3,500	1,400	500
	352	120/380x460	8304435	+18 / +352	3,800	1,400	600
LE37Dx120HP	52	120F/100x180HP	8305405	0 / +52	2,850	1,400	300
	112	120F/160x240HP	8305411	0 / +112	3,050	1,400	360
	152	120F/200x280HP	8305415	0 / +152	3,150	1,400	400
	252	120F/300x380HP	8305425	0 / +252	3,500	1,400	500
	352	120F/400x480HP	8305435	0 / +352	3,800	1,400	600

* Weight without motor - Guide friction : 6 N - Maxi speed : 2 m/s - Maxi acceleration : 50 m/s²

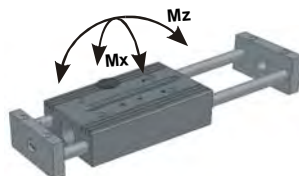
Dimensions :



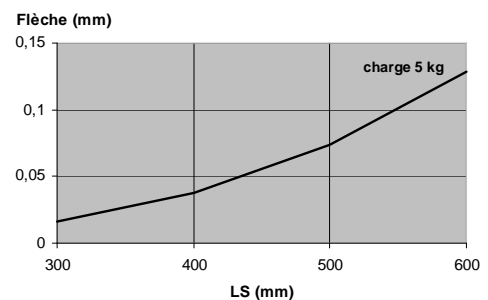
Admissible torque and load:

Maxi carried payload : **6 kg**

Mx = 19 Nm maxi
Mz = 8 Nm maxi



Deflection (mm):



CABLE CARRIERS

The option includes:

- The cable carrier (opening by inside, with separators)
- The mounting parts

For module LB37 :

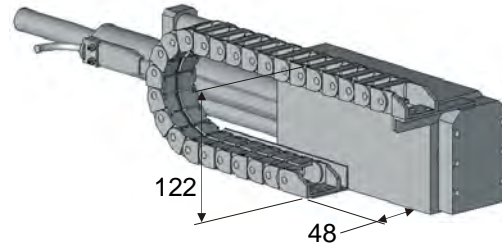
Inner dimensions : 25x18 mm
 Maxi cable Ø : Ø10 mm
 Radius : 48 mm
 Maxi load : 0,4 kg/m

Module stroke	Order No.
100-160	8319210
200	8319211
300	8319212

For LB37x240 connector type (-C) ou cable type (-C20)

For LB37x120HP **only cable type (-C20)**

=> You have to attach driving cable with recommended bend radius
 (see LinMot catalogue)

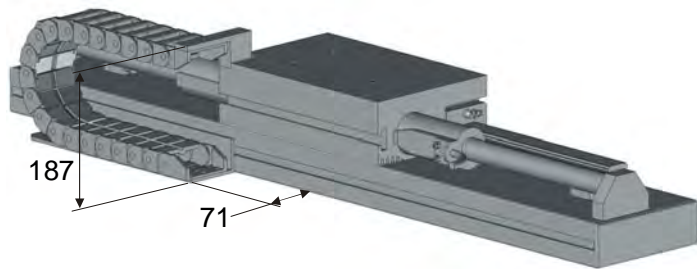


No lower overtaking

For gantry LR37 (flat) :

Inner dimensions : 50x18 mm
 Maxi cable Ø : Ø12 mm
 Radius : 78 mm
 Maxi load : 0,4 kg/m

Module stroke	Order No.
100-150	8319330
200-250	8319331
300-350	8319332
400-450	8319333
500-550	8319334
600-650	8319335
700-800-850	8319336
1000-1050	8319337
1200-1250	8319338
1400	8319339



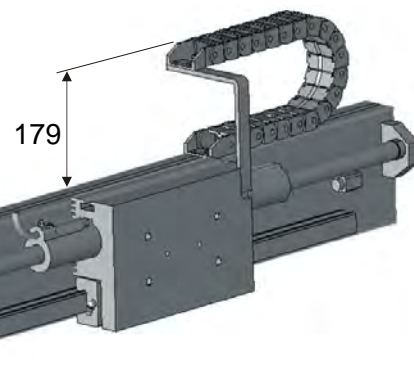
No lower overtaking

This version can be used on its edge for stroke < 350 mm.

For gantry LR37 (on its edge):

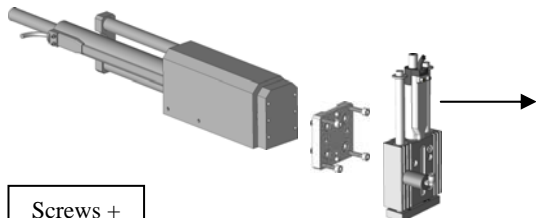
Inner dimensions : 37x18 mm
 Maxi cable Ø : Ø12 mm
 Radius : 78 mm
 Maxi load : 0,4 kg/m

Module stroke	Order No.
100-150	8319420
200-250	8319421
300-350	8319422
400-450	8319423
500-550	8319424
600-650	8319425
700-800-850	8319426
1000-1050	8319427
1200-1250	8319428
1400	8319429



Back overtaking: 15 mm

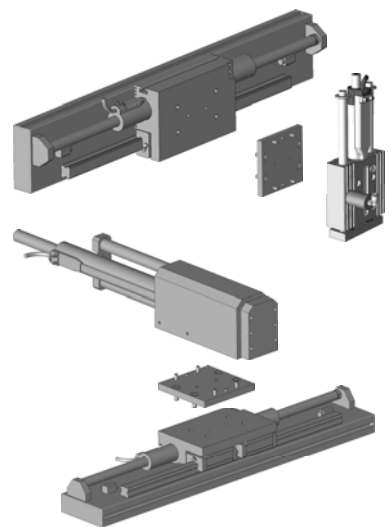
ASSEMBLY INTERFACES



Screws +
Centring
supplied

on	<=	LB23	LE23	LE37
LB37	Order No.	8319104	8319114	8319117
	Thickness	0	9	11
	Weight (g)	0	120	260
LE37	Order No.	-	8319106	8319116
	Thickness	-	0	11
	Weight (g)	-	0	250

sur	<=	LB23	LB37	LE23	LE37
LR37	Order No.	8319111	8319110	8319113	8319112
	Thickness	12	12	12	12
	Weight (g)	510	510	510	510
LE37D	Order No.	8319121	-	8319122	-
	Thickness	12	-	12	-
	Weight (g)	510	-	510	-



For linear motors: LINMOT® P01-23, P01-37, P01-48

Description:

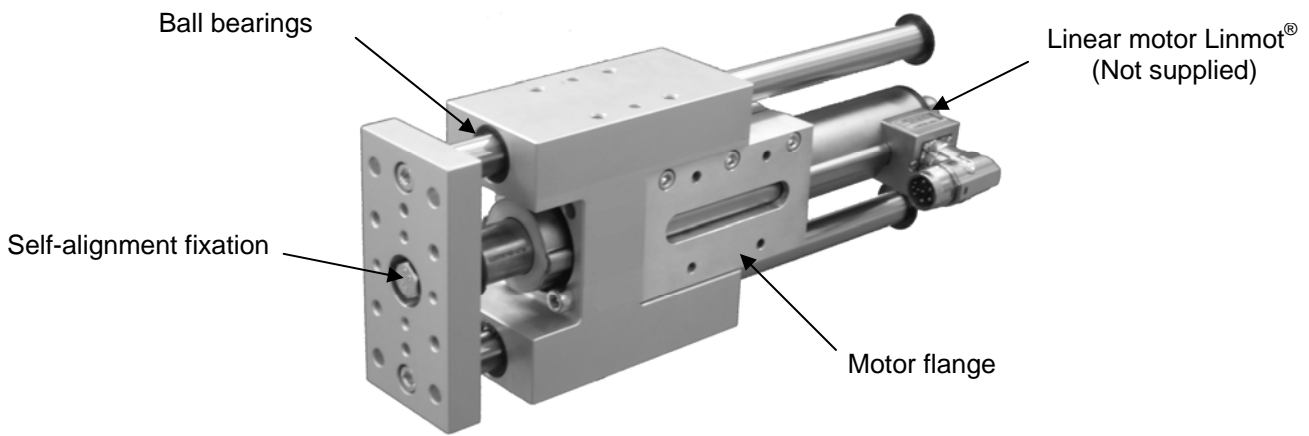
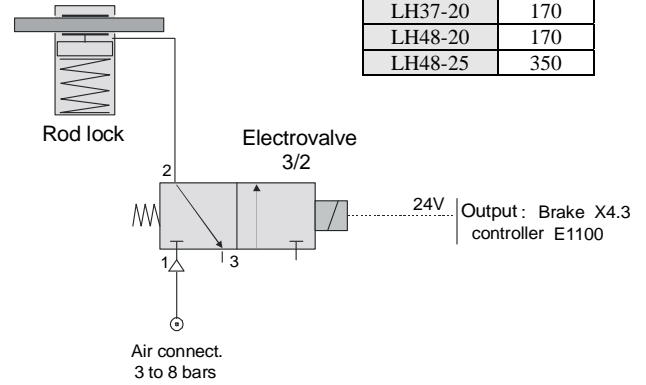
- Guided by 2 rods on 4 ball bearings
- Guided protected by 4 wipers seals
- Integrated motor flange
- Fixation on front plate with self-alignment
- Several sizes of guide for the same motor (37 and 48)
- Without maintenance
- Maxi speed: 2 m/s
- Maxi acceleration: 50 m/s²
- Materials:
 - . Housing and front plate: anodized aluminium
 - . Screws: zinc steel
 - . Rods: hardened steel
- Sold without motor

Option:

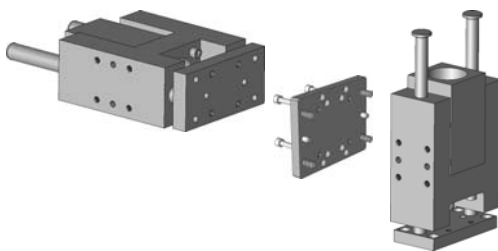
- Mechanical rod lock on one guide rod in case of electric cut (pneumatic release)

Additional weight (g) :

LH23-10	50
LH37-12	50
LH37-16	90
LH37-20	170
LH48-20	170
LH48-25	350



Assembly interfaces:

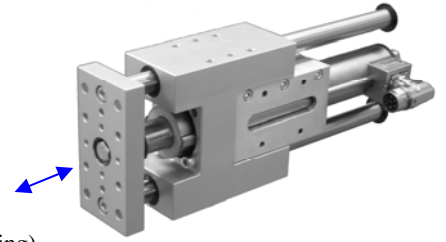


On	<=	LH23-10	LH37-12	LH37-16	LH48-20
LH37-12	Order No.	5130212	-	-	-
	Thickness	8	-	-	-
	Weight(g)	75	-	-	-
LH37-16	Order No.	5130214	5130224	-	-
	Thickness	10	10	-	-
	Weight(g)	160	160	-	-
LH37-20 LH48-20	Order No.	5130216	5130226	5130246	-
	Thickness	11	11	11	-
	Weight(g)	250	250	250	-
LH48-25	Order No.	-	5130227	5130247	5130267
	Thickness	-	13	13	13
	Weight(g)	-	380	380	380

Pour moteurs P01-37...

Description :

- Guided by 2 rods $\varnothing 12$ (LH37-12) on 4 ball bearings
 $\varnothing 16$ (LH37-16)
 $\varnothing 20$ (LH37-20)
 (Guide on brass bearing on request)
- Internal stop for « move in » initialization (on the stator ring or front plate on housing)
- Interchangeable with guides for pneumatic cylinder $\varnothing 32$ (LH37-12), $\varnothing 40$ (LH37-16), $\varnothing 50$ (LH37-20)
- Options :
 - . Mechanical rod lock
 - . Adaptation kit for fan 60x60 (Order No. : **8319193**)
 - . Additional cooler for P01-37x240 (Order No. : **8319166**)



Model	LH37-12	LH37-16	LH37-20
Order No. Without rod lock	324A□284	325□284	326□284
With rod lock	324A□294	325□294	326□294
Stroke (mm)	410 (416)	510 (527)	610 (636)
Weight stroke 0 (kg)	1,400	2,200	3,400
Weight for 100 mm (kg)	0,170	0,310	0,480
Weight in motion stroke 0 (kg)	0,410	0,770	1,380
Weight in motion/100 mm (kg)	0,170	0,310	0,480
Clamping force rod lock (N)	600	1000	1400

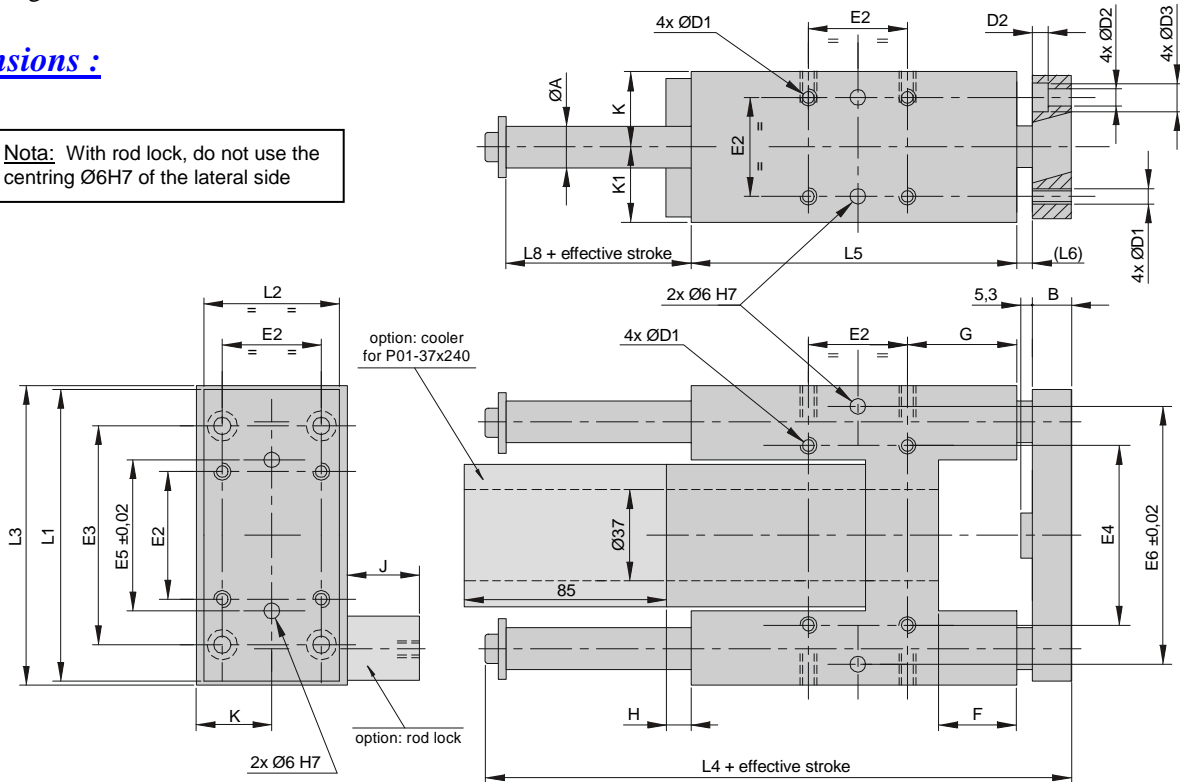
- : Stroke code:
- stroke 60 mm : 1
 - 110 mm : 2
 - 170 mm : 3
 - 210 mm : 4
 - 260 mm : 5
 - 330 mm : 6
 - 410 mm : 7
 - 510 mm : 8
 - 610 mm : 9

Possibility to increase stroke from L8 and (L6) if needed

Nota : Weight without motor

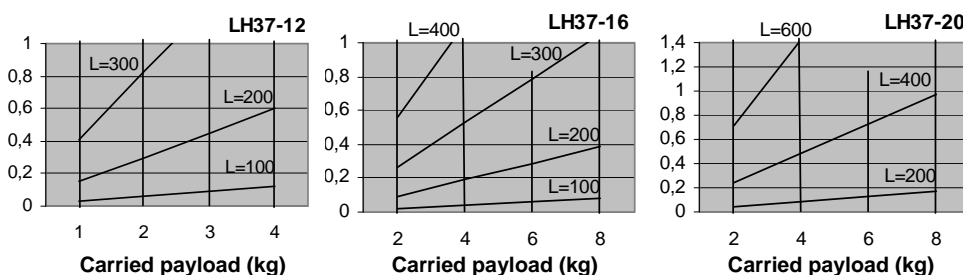
Dimensions :

Nota: With rod lock, do not use the centring $\varnothing 6H7$ of the lateral side

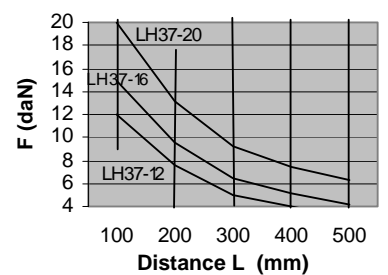


	A	B	D1	D2	D3	E2	E3	E4	E5	E6	F	G	H	J	K	K1	L1	L2	L3	L4	L5	L6	L8
LH37-12	12	15	M6	6,6	11	32,5	78	61	50	81	20	43	12	21	25	24	92	45	97	149	120	4	2
LH37-16	16	15	M6	6,6	11	38	84	69	54	99	30	42	20	32	29	29	112	55	115	166	125	7	10
LH37-20	20	19	M8	9	15	46,5	100	85	72	119	30	46	15	41	35	34	134	68	137	196	140	8	18

Deflection (mm): (horizontal)



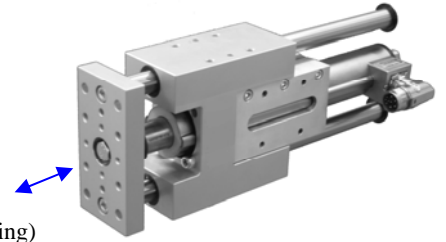
Radial load:



For P01-48... motors

Description:

- Guided by 2 rods $\varnothing 20$ (LH48-20) on 4 ball bearings
 $\varnothing 25$ (LH48-25)
(Guided on brass bearing on request)
- Internal stop for « move in » initialization (on the stator ring or front plate on housing)
- Interchangeable with guides for pneumatic cylinder $\varnothing 50$ (LH48-20)
- Options:
 - . Mechanical rod lock
 - . Adaptation kit for fan 80x80 (Order No. : **8319195**)
 - . Additional cooler for P01-48x360 (Order No. : **8319168**)



Model	LH48-20	LH48-25
Order No. without rod lock	326□286	326R□286
with rod lock	326□296	326R□296
Stroke (mm)	620 (636)	620 (653)
Weight stroke 0 (kg)	3,800	6,900
Weight for 100 mm (kg)	0,480	0,770
Weight in motion stroke 0 (kg)	1,380	2,900
Weight in motion/100 mm (kg)	0,480	0,770
Clamping force rod lock (N)	1400	2500

□: Stroke code:

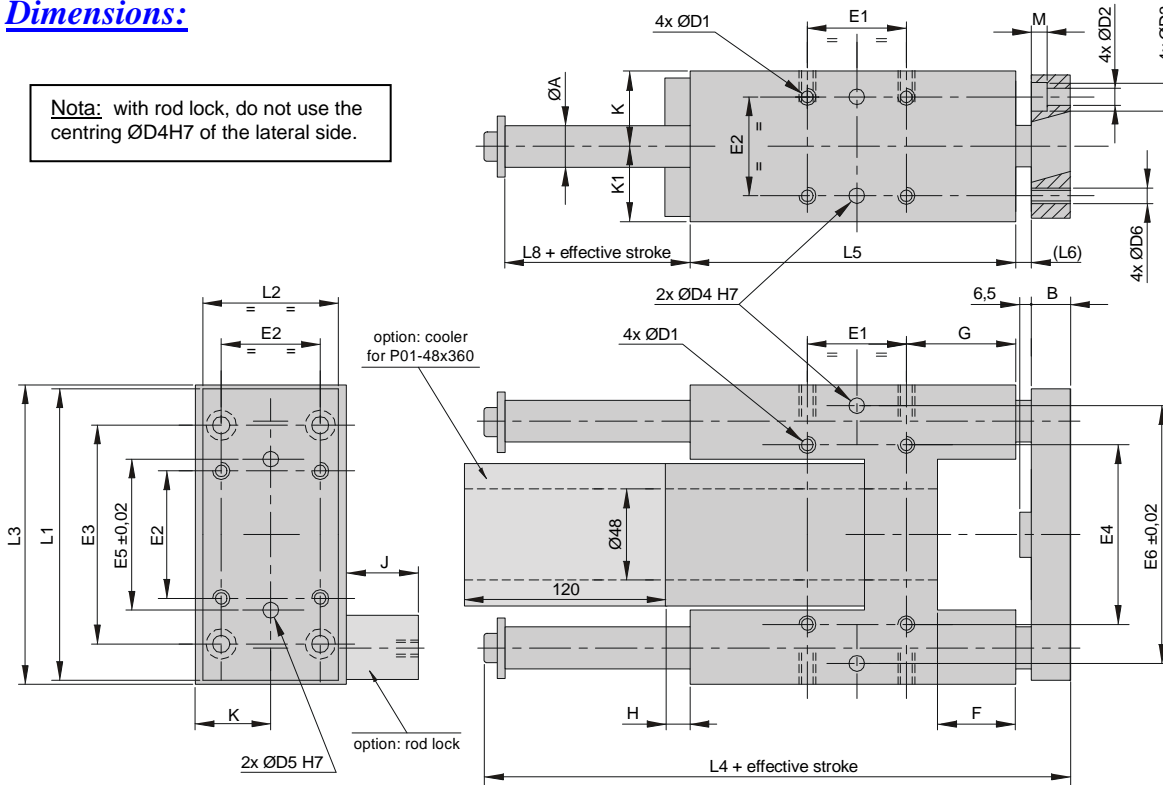
- stroke 70 mm : **1**
- 120 mm : **2**
- 180 mm : **3**
- 220 mm : **4**
- 270 mm : **5**
- 340 mm : **6**
- 420 mm : **7**
- 520 mm : **8**
- 620 mm : **9**

Possibility to increase stroke from L8 and (L6) if needed

Nota : weight without motor

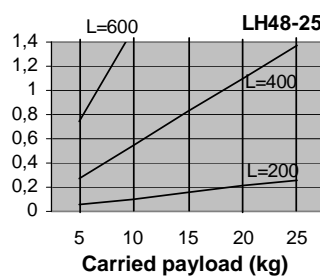
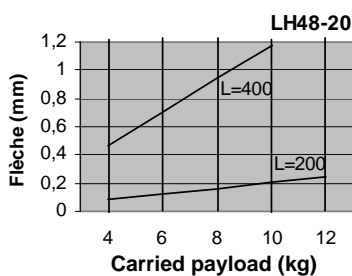
Dimensions:

Nota: with rod lock, do not use the centring $\varnothing D4H7$ of the lateral side.

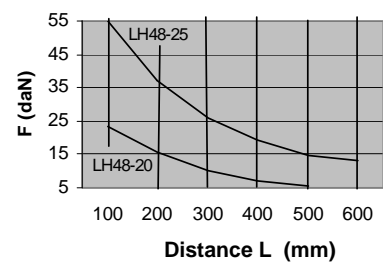


	LH48-20	LH48-25
A	20	25
B	19	29
D1	M8	M12
D2	9	11
D3	15	18
D4	6	10
D5	6	8
D6	M8	M10
E1	46,5	72
E2	46,5	56,5
E3	100	105
E4	85	130
E5	72	82
E6	119	130
F	30	33
G	46	48
H	50	25
J	41	43
K	35	42,5
K1	34	42,5
L1	134	172
L2	68	80
L3	137	178
L4	186	244
L5	140	169
L6	8	8
L8	8	25
M	9	12

Deflection (mm): (horizontal)

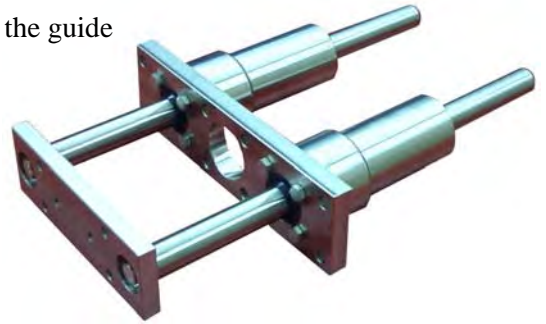


Radial admissible load:



Description :

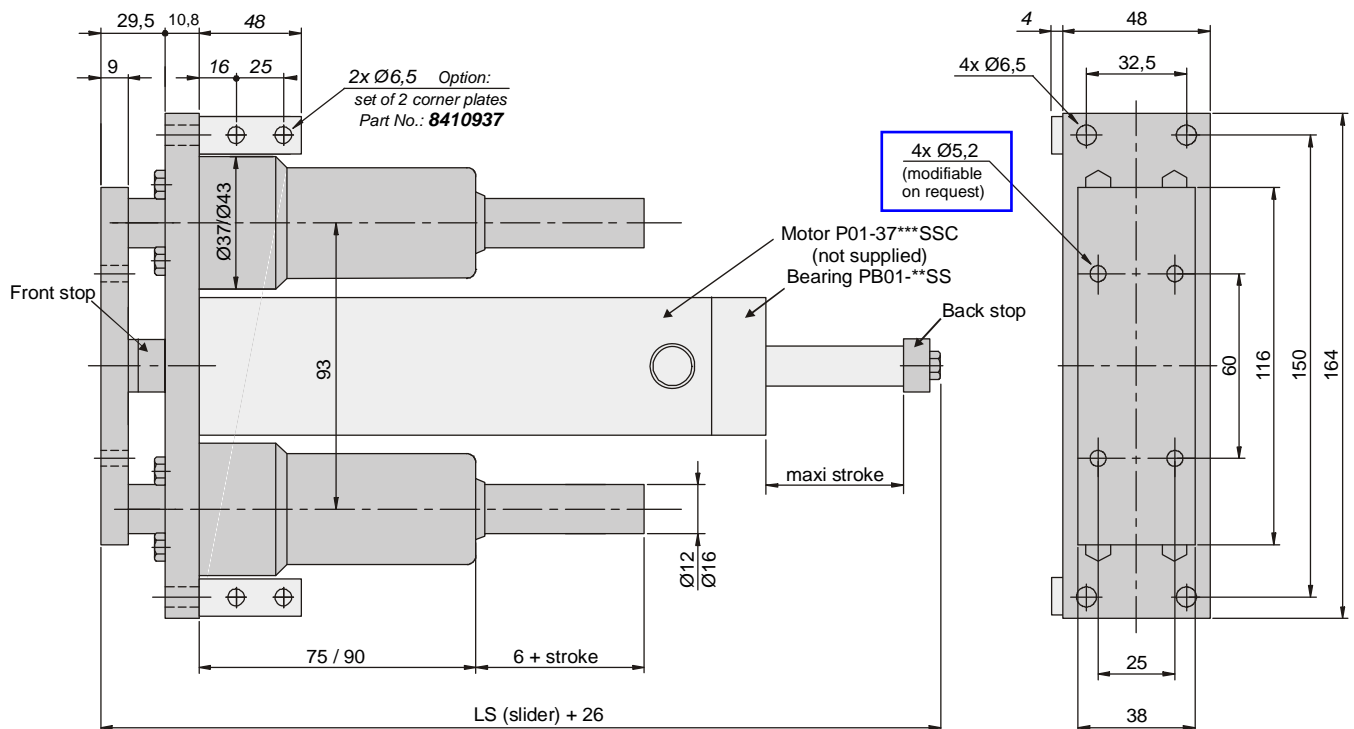
- Guide adapted to motor **P01-37x120F-HP-SSC**
with 1 bearing **PB01-37x24-SS** (on back side)
delivered with 1 wiper for slider (on front side), integrated into the guide
- Guide rods $\varnothing 12$ (**LX37-12**) or $\varnothing 16$ (**LX37-16**)
- Guided on 4 ball bearings protected by double wiper
- Materials :
 - . Bearings, plate : Stainless Steel 304L
 - . Rods : Hardened Stainless Steel X46Cr13
 - . Screws : Stainless Steel
 - . Slider's wiper : Polyurethane
 - . Guide rod's wipers : Polyurethane
 - . Internal bearing's wipers: NBR
 - . Balls of bearing : Hardened Steel => option **/AB** : Hardened Stainless Steel
 - . Grease of bearings : Lithium Grease => option **/AF** : Food industry grease FDA
- Working temperature : -20° to +50° C
- Internal stop for « move in » or « move out » initialization



Model	Stroke ⁽¹⁾	Order No. ⁽²⁾	Slider LS	Weight ⁽³⁾ (kg)	Weight in motion (kg)
LX37-12	88	8412210	395	1,800	0,650
	193	8412220	500	2,000	0,850
	293	8412230	600	2,200	1,050
	393	8412240	700	2,400	1,250
LX37-16	88	8413210	395	2,450	0,950
	193	8413220	500	2,800	1,300
	293	8413230	600	3,150	1,650
	393	8413240	700	3,500	2,000

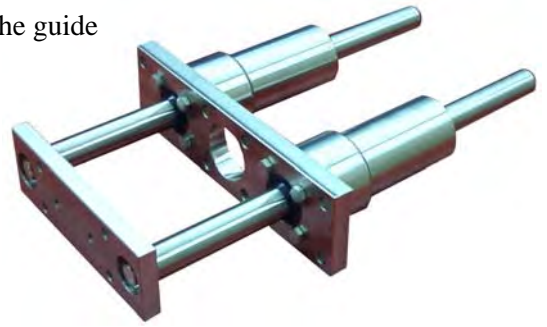
Specifications	
Friction (N)	20
Maxi speed (m/s)	2
Maxi acceleration (m/s ²)	50
Maxi dynamic load LX37-12 (kg)	7 / 0,5 ⁽⁴⁾
Maxi dynamic load LX37-16 (kg)	12 / 1 ⁽⁴⁾

- (1) *maxi stroke between front stop and back stop (use without bearing PB01 in front face)*
- (2) *add option /AB and /AF after the Order No.*
- (3) *weight without motor*
- (4) *load in horizontal, it decrease while stroke increase*



Description :

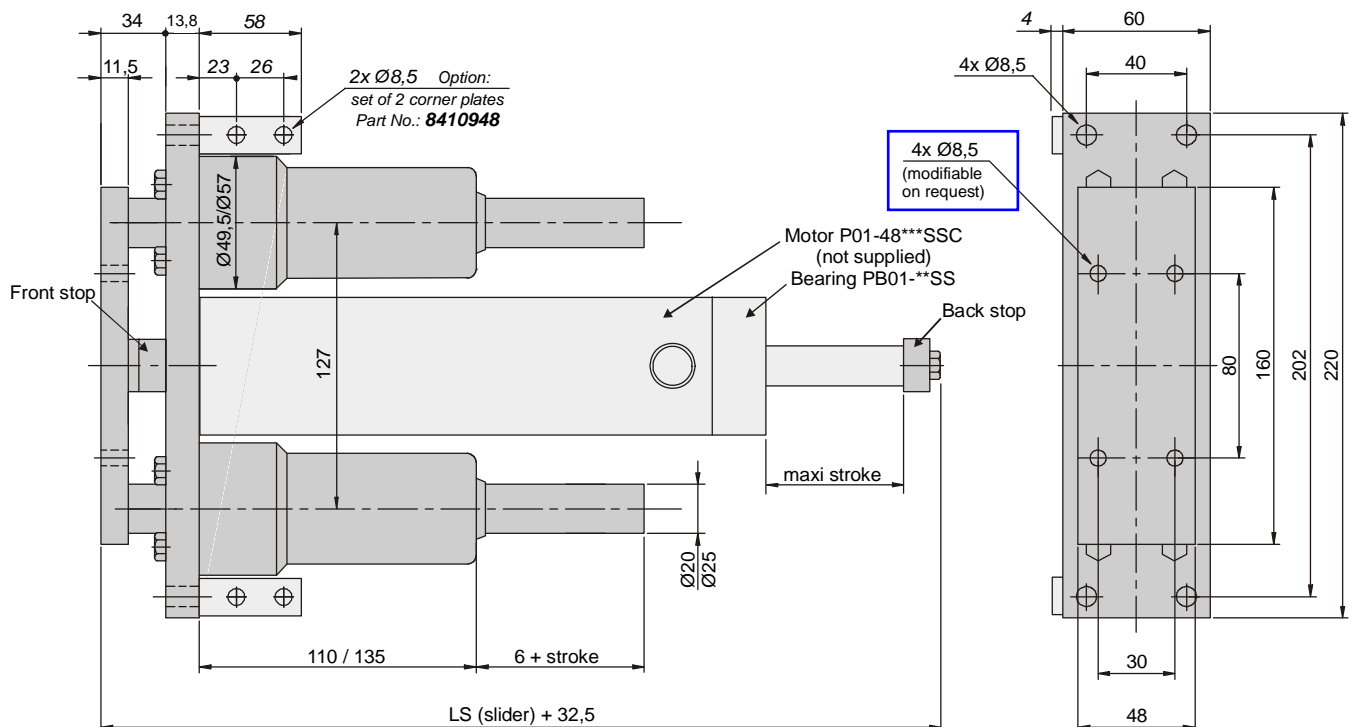
- Guide adapted to motor **P01-48x240F-SSC** (P01x48x360F on request) with 1 bearing **PB01-48x25-SS** (on back side) delivered with 1 wiper for slider (on front side), integrated into the guide
- Guide rods $\varnothing 20$ (**LX48-20**) or $\varnothing 25$ (**LX48-25**)
- Guided on 4 ball bearings protected by double wiper
- Materials :
 - . Bearings, plate : Stainless Steel 304L
 - . Rods : Hardened Stainless Steel X46Cr13
 - . Screws : Stainless Steel
 - . Slider's wiper : Polyurethane
 - . Guide rod's wipers : Polyurethane
 - . Internal bearing's wipers : NBR
 - . Ball of bearings : Hardened Steel => option **/AB** : Hardened Stainless Steel
 - . Grease of bearings : Lithium grease => option **/AF** : Food industry grease FDA
- Working temperature : -20° à $+50^{\circ}$ C
- Internal stop for « move in » or « move out » initialization



Model	Stroke ⁽¹⁾	Order No. ⁽²⁾	Slider LS	Weight ⁽³⁾ (kg)	Weight in motion (kg)
LX48-20	92	8417210	500	4,500	1,830
	212	8417220	620	5,100	2,430
	302	8417230	710	5,540	2,870
	392	8417240	800	5,980	3,310
LX48-25	92	8418210	500	6,130	2,700
	212	8418220	620	7,050	3,620
	302	8418230	710	7,750	4,320
	392	8418240	800	8,450	5,020

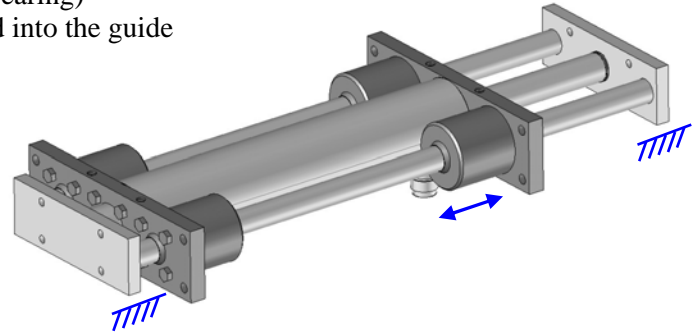
Specifications	
Friction (N)	25
Maxi speed (m/s)	2
Maxi acceleration (m/s ²)	50
Maxi dynamic load LX48-20 (kg)	20 / 3 ⁽⁴⁾
Maxi dynamic load LX48-25 (kg)	35 / 5 ⁽⁴⁾

- (1) *maxi stroke between front stop and back stop (use without bearing PB01 in front face)*
- (2) *add option /AB and /AF after the Order No.*
- (3) *weight without motor*
- (4) *load in horizontal, it decrease while stroke increase*



Description :

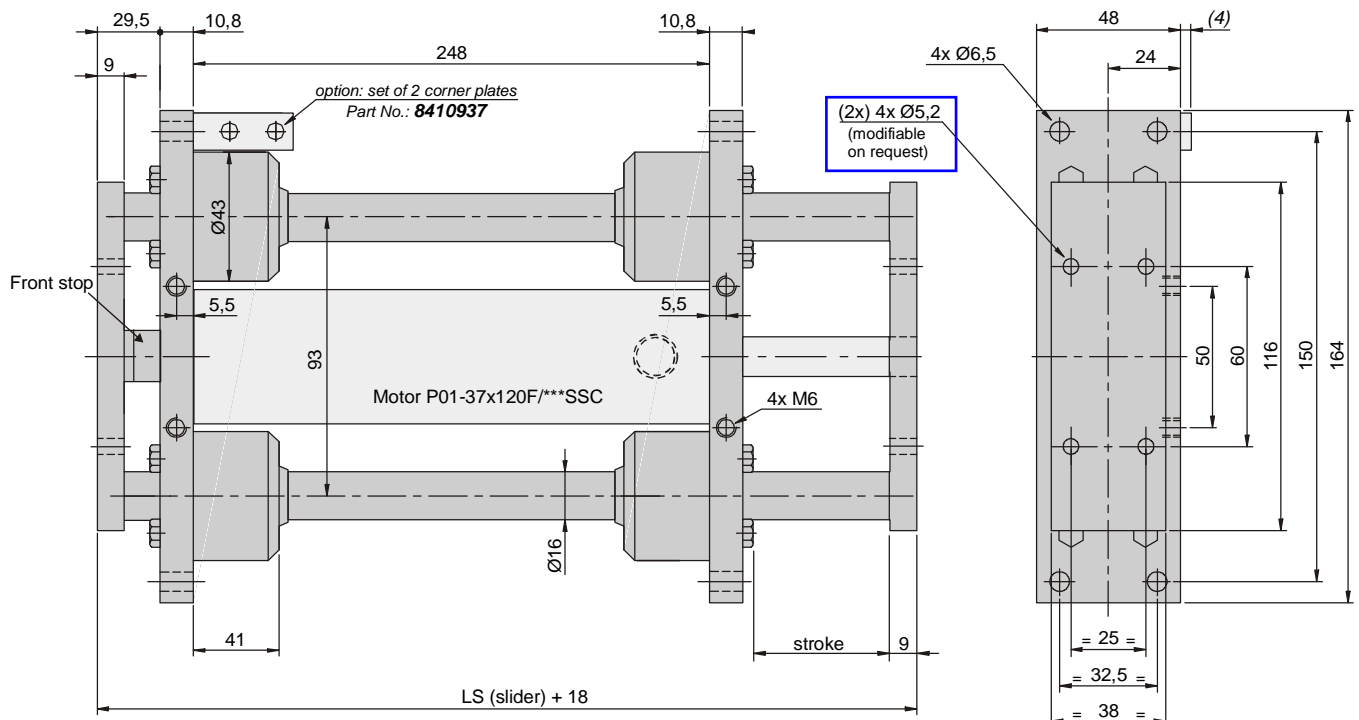
- Guide adapted to motor **P01-37x120F-HP-SSC** (without bearing)
delivered with wipers for slider (on both sides), integrated into the guide
- Guide rods $\varnothing 16$
- Guided on 4 ball bearings protected by double wiper
- Materials :
 - . Bearings, plates : Stainless Steel 304L
 - . Rods : Stainless Steel X46Cr13
 - . Screws : Stainless Steel
 - . Slider's wiper : Polyurethane
 - . Guide rod's wipers : Polyurethane
 - . Internal bearing's wipers: NBR
 - . Balls of bearing : Hardened Steel => option **/AB** : Hardened Stainless Steel
 - . Grease of bearings : Lithium Grease => option **/AF** : Food industry grease FDA
- Working temperature : -20° to +50° C
- Internal stop for « move in » initialization



Model	Stroke ⁽¹⁾	Order No. ⁽²⁾	Slider LS	Weight ⁽³⁾ (kg)	Weight in motion ⁽⁴⁾ (kg)	Charge maxi (kg)
LW37-16	100	8433210	395	4,400	2,300	12
	205	8433220	500	4,730	2,300	10
	305	8433230	600	5,040	2,300	8
	405	8433240	700	5,350	2,300	5
	505	8433250	800	5,660	2,300	4

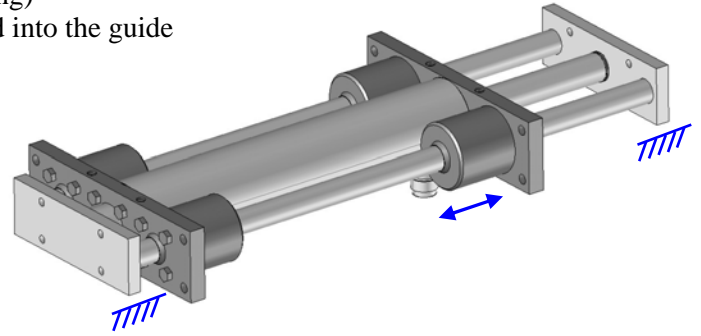
Specifications		
Friction	(N)	25
Maxi speed	(m/s)	2
Maxi acceleration	(m/s ²)	50

- (1) *maxi stroke (using without bearing PB01)*
- (2) *add option /AB and /AF after the Order No.*
- (3) *weight without motor*
- (4) *using in moving stator, weight without stator*



Description :

- Guide adapted to motor **P01-48x240F-SSC** (without bearing)
delivered with wipers for slider (on both sides), integrated into the guide
- Guide rods $\varnothing 25$
- Guided on 4 ball bearings protected by double wiper
- Materials :
 - . Bearings, plates : Stainless Steel 304L
 - . Rods : Stainless Steel X46Cr13
 - . Screws : Stainless Steel
 - . Slider's wiper : Polyurethane
 - . Guide rod's wipers : Polyurethane
 - . Internal bearing's wipers: NBR
 - . Balls of bearing : Hardened Steel => option **/AB** : Hardened Stainless Steel
 - . Grease of bearings : Lithium Grease => option **/AF** : Food industry grease FDA
- Working temperature : -20° to $+50^{\circ}$ C
- Internal stop for « move in » initialization



Model	Stroke ⁽¹⁾	Order No. ⁽²⁾	Slider LS	Weight ⁽³⁾ (kg)	Weight in motion ⁽⁴⁾ (kg)	Maxi carried payload (kg)	
						Flat	On its edge
LW48-25	100	8438210	500	10,300	5,200	32	60
	220	8438220	620	11,200	5,200	22	46
	310	8438230	710	11,900	5,200	14	34
	400	8438240	800	12,600	5,200	8	25
	520	8438250	920	13,500	5,200	3	18

Specifications		
Friction	(N)	30
Maxi speed	(m/s)	2
Maxi acceleration	(m/s ²)	50

- (1) *maxi stroke (using without bearing PB01)*
- (2) *add option **/AB** and **/AF** after the Order No.*
- (3) *weight without motor*
- (4) *using in moving stator, weight without stator*

