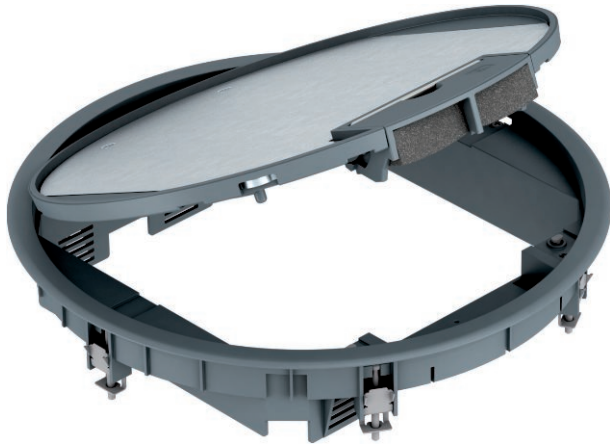


# Technical data sheet

## GESR9 service outlet with handle clamp

Art.-Nr. 7405528



Service outlet with handle clamp for up to 12 individual Modul 45 devices in 3 UT4 universal supports, use in duct systems and system floors.



**PA** Polyamide

Additional product text, instruction	Up to 9 installation devices with 50 mm central plate can be inserted.
Additional product text 1	

### Master data

Item no.	7405528
Type	GESR9 U 7011
Description 1	Service outlet
Description 2	for universal mounting
Dimension	324x61
Colour	Iron grey
RAL number	7011
Material	Polyamide
Material symbol	PA
Smallest sales unit	1,00 Piece
Weight	232,00 kg/100 pc.

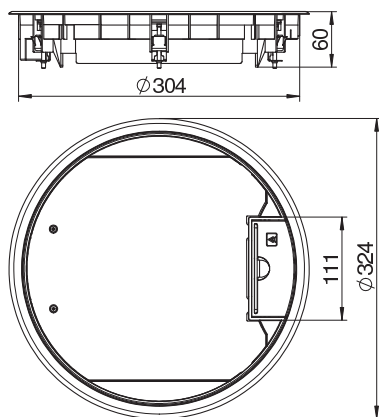
# Technical data sheet

## GESR9 service outlet with handle clamp

Art.-Nr. 7405528



### Technical data



Wide external dimensions	324,00 mm
Wide installation dimensions	304,00 mm
Length of external dimensions	324,00 mm
Length of installation dimensions	304,00 mm
External diameter	324,00 mm
Installation diameter	304,00
Number of installable devices	12,00
Number of mounting boxes	3,00
Floor covering thickness	5,00 mm
Floor covering protection frame	<input checked="" type="checkbox"/>
Floor care	Dry
Version for	Round
Installation depth	73,00 mm
Floor height	73 mm
Device support to accept mounting boxes	<input checked="" type="checkbox"/>
Suitable for wet care	<input type="checkbox"/>
Suitable for screed-flush closed underfloor ducts	<input type="checkbox"/>
Suitable for screed-covered underfloor ducts	<input checked="" type="checkbox"/>
Suitable for raised floor installation	<input checked="" type="checkbox"/>
Suitable for cavity floor installation	<input checked="" type="checkbox"/>
Suitable for underfloor ducts	<input checked="" type="checkbox"/>
With floor covering recess	<input checked="" type="checkbox"/>
Nominal size for device installation units	R9
Suitable for underfloor box	350
Opening mechanism	Handle
Schwerlastausführung	<input type="checkbox"/>
Typ des Einbausystems	MT4 / GB3
Approvals	VDE