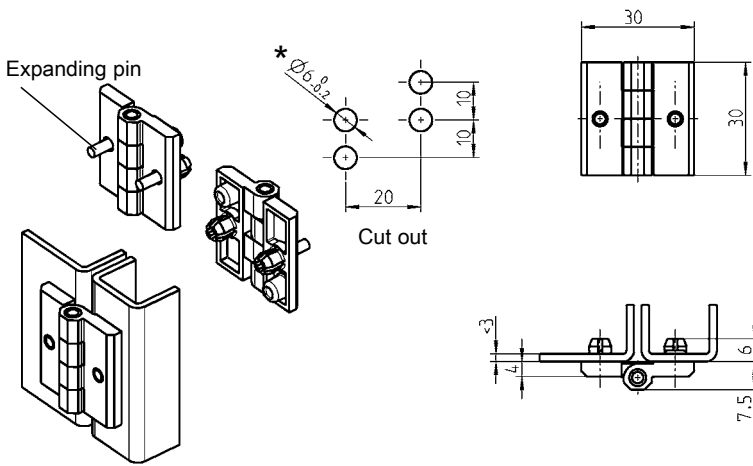


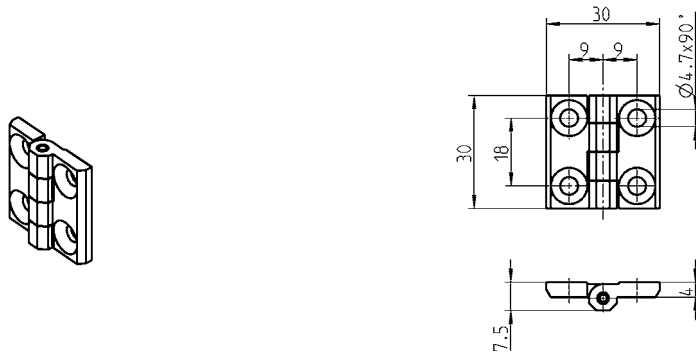
# 180° screw-on hinge

## PROGRAM 1056



Hinge, hinge pin and expanding pins polyamide black

1056-U32



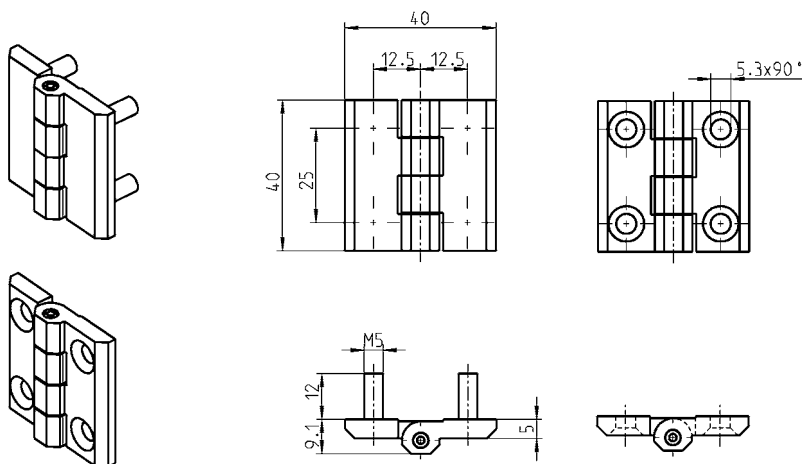
Screw-on hinge for countersunk screw M4; zinc-die surface at buyer's option; hinge pin stainless steel

black powder coated

1056-U60

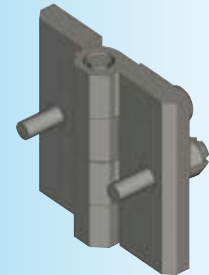
chrome plated

1056-U61



Screw-on hinge zinc die, Polyamide black or stainless steel; grub screw M5 stainless steel

	Pin	with threaded studs M5	for countersunk screw M5
zinc die chrome pl.	Stainless steel	1056-U3	1056-U5
zinc die black p.c.	Stainless steel	1056-U4	1056-U6
polyamide black	Stainless steel	-	1056-U30
polyamide black	polyamide	-	1056-U41
AISI 316	Stainless steel	-	1056-U5-PH



\* Attention:  
The indicated dimension is the final dimension, please observe in case of surface coatings.

