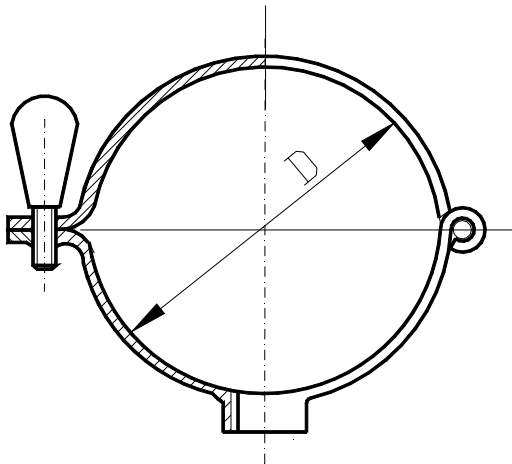


# REGGITUBO

## CLAMPS

### REGGITUBO CON CERNIERA

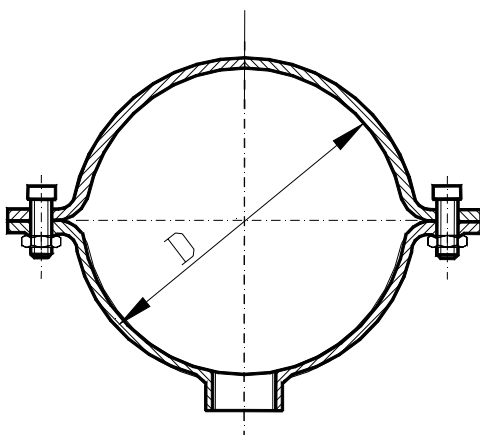
CLAMPS



DIMENSIONI		D
DN	POLLICI	
	3/8"	17,0
	1/2"	21,3
		25,4
	3/4"	26,9
DN 25		28,0
	1"	33,7
DN 32		34,0
		38,0
DN 40		40,0
	1 1/4"	42,4
	1 1/2"	48,3
DN 50		50/52
	2"	60,3
		63,5
DN 65		70,0
	2 1/2"	76,1
		80,0
DN 80		85,0
	3"	88,9
DN 100	3 1/2"	101,6
		104,0

### REGGITUBO SENZA CERNIERA

CLAMPS WITH NUTS



DIMENSIONI		D
DN	POLLICI	
	3 1/2"	101,6
		104,0
DN 100	4"	114,3
		120,0
		124,0
		129,0
DN 125	5"	139,7
		153,0
DN 150	6"	168,3
		204,0
DN 200	8"	219,1
DN 250	10"	273,0

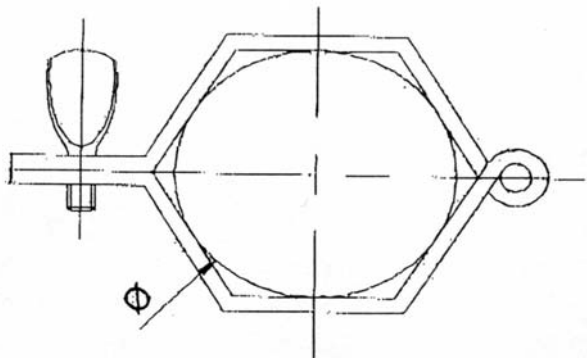
Disponibili in acciaio inox AISI 304L - AISI 316L  
 Available in stainless steel AISI 304L - AISI 316L

# REGGITUBO ESAGONALI

EXAGONAL CLAMPS

## REGGITUBO CON CERNIERA

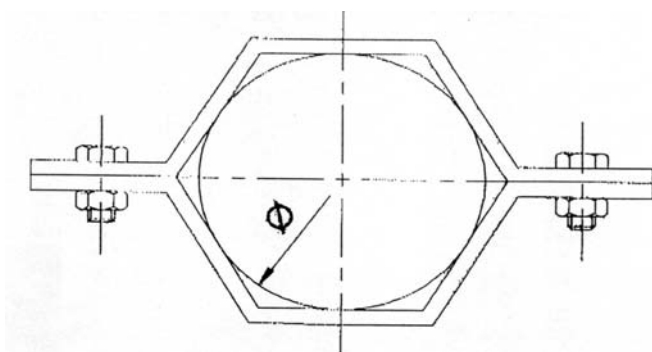
CLAMPS



Ø
21,3
25,4
26,9
28,0
34,0
38,0
40,0
42,4
48,3
51/52
60,3
63,5
70,0
76,1
85,0
88,9
101,6
104,0

## REGGITUBO SENZA CERNIERA

CLAMPS WITH NUTS



Ø
12,0
18,0
21,3
25,4
26,9
28,0
34,0
38,0
40,0
42,4
48,3
50,0
53,0
60,0
63,0
73,0
76,0
80,0
88,9
101,6
104,0
114,3
123,0
139,0
153,0
168,3
204,0

Disponibili in acciaio inox AISI 304L - AISI 316L  
Available in stainless steel AISI 304L - AISI 316L