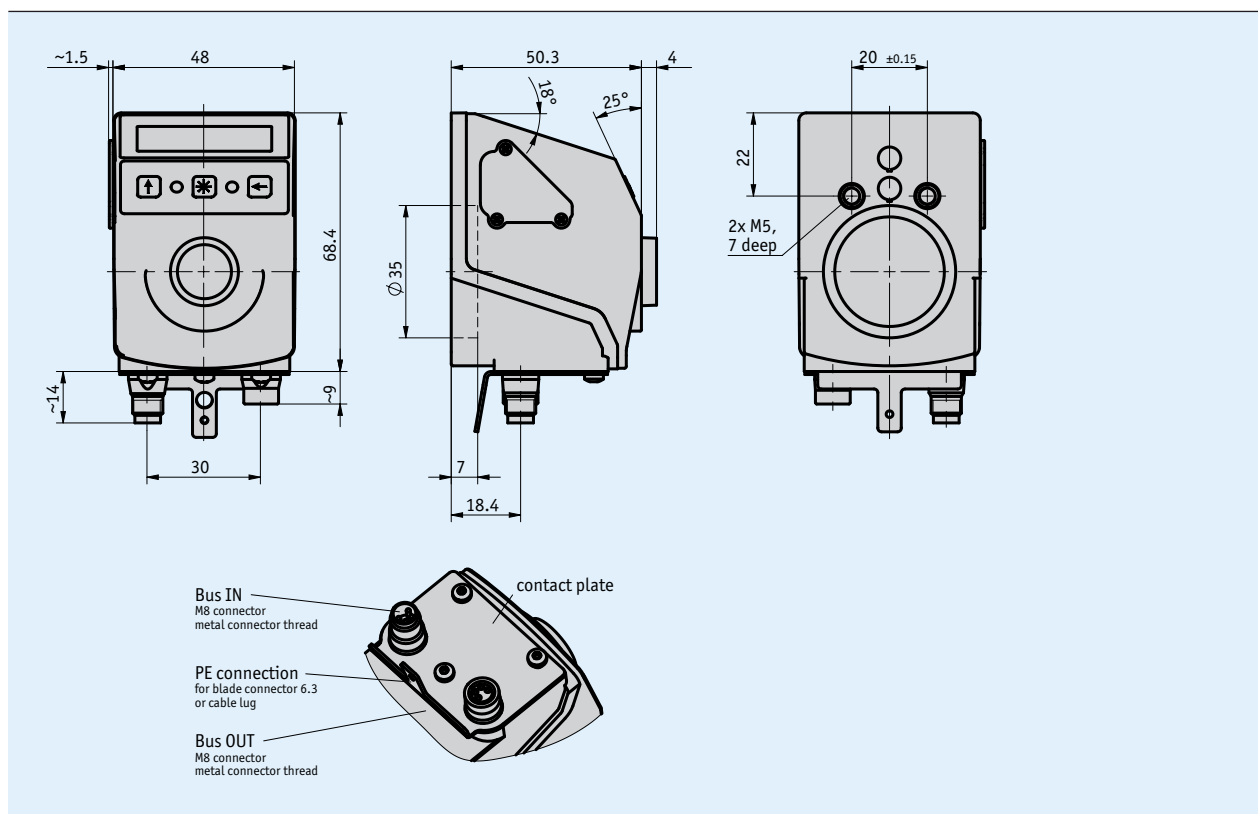


Profile

- Setpoint display with bus interface without measurement of actual value
- Large control key to confirm target value
- Optimally readable backlit display
- Two-line LCD-Display
- Integrated RS485 interface, CAN bus as an option
- User guidance via bicolor status LEDs
- IP53 type of protection, IP65 as an option



Mechanical data

Feature	Technical data	Additional information
Housing	reinforced plastic	metal plug thread
Color	black, RAL 9005	

Electrical data

Feature	Technical data	Additional information
Operating voltage	24 V DC ±20 %	
Current consumption	~30 mA	additional ~3 mA per LED when operated with LEDs
Display/display range	6-digit LCD 14-segment, ~8 mm height	decimal points, 2 rows, (backlit LED red/white)
Status display	2x two-color LED (red/green)	acknowledgment status, configurable
Keys	acknowledgment, parameterization	
Bus connection	RS485; CANopen	no galvanic isolation
Type of connection	2x M8-plug connectors (A-coded) grounding via flat male tab 6.3 mm or terminal lug	4-pole, 1x socket, 1x pin

Ambient conditions

Feature	Technical data	Additional information
Ambient temperature	0 ... 60 °C	
Storage temperature	-20 ... 80 °C	
Relative humidity		condensation inadmissible
EMC	EN 61000-6-2 EN 61000-6-4	interference resistance / immission emitted interference/emission
Protection category	IP53 IP65	EN 60529, only with mating connector EN 60529, only with mating connector
Shock resistance	500 m/s ² , 11 ms	EN 60068-2-27
Vibration resistance	100 m/s ² , 5 ... 150 Hz	EN 60068-2-6

Pin assignment

■ Interfaces

RS485	CAN bus	PIN
TxRx-/DÜB	CANL	1
TxRx+/DÜA	CANH	2
+24 V DC	+24 V DC	3
GND	GND	4

Order

■ Ordering table

Feature	Ordering data	Specification	Additional information
Interface/protocol	S3/09 CAN	A RS485/SIKONETZ5 CANopen	
Protection category	IP53 IP65	B IP53 IP65	
Viewing window	SF K	C front foil plastic	impact protection

■ Order key

AP10T - A - B - EX - C - S

Scope of delivery: AP10T, Mounting instructions, Documentation on CD

Accessories:

Cable extension KV04S1 www.siko-global.com
 Mating Connector Overview www.siko-global.com
 Mating connector, 4-pole, socket Order key 84209
 Mating connector, 4-pole, pin Order key 84210
 Bus terminating connector, 4-pole, pin Order key BAS-0005