

NSI01-32-XP

Solar Isolator switch



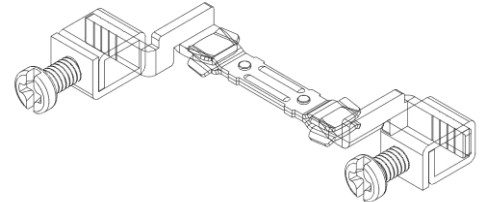
**NSI01-32产品特点概述/NSI01-32
Product Specification and Overview:**

●本产品应用于光伏系统中,使用电压可达到1500VDC;本产品机构动作速度快,能快速分断触头;本产品类别为DC21B.

The product is used in solar system,the voltage can reach 1500VDC;the mechanism of the product move fast, breaking the contact quickly;and the category is DC21B.

●本产品安装方便,其接线和操作工具不在一方向上;所有接线操作都在同一方向上,提高了工具使用率,降低了产品的占用空间,且方便产品更换维修(同类产品接线与操作工具在同一方向,占用空间大,且安装不方便).

Assemble conveniently,its wiring and operation tools are not in a direction;All wiring operations are in the same direction,improve tool usage,reduce the product of occupied space,and the product replacement and maintenance is more convenient.(similar product wiring and operation tool are in the same direction, occupy large space,the assemble is not convenient).

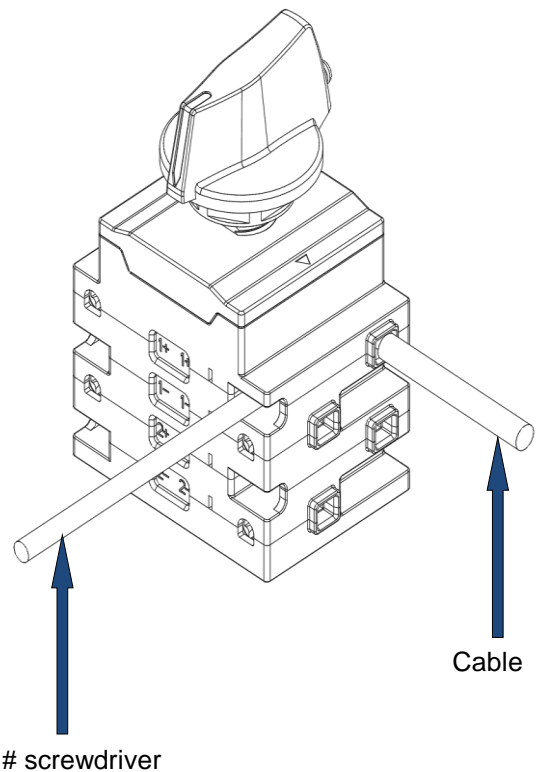


●此开关体积小,具有灭弧时间短,同时多组触头同时操作等特点.该产品有1000VDC和1200VDC两种规格,1000VDC产品可以用于额定电压小于1000及以下,额定电流在32A以下的光伏系统中;1200V产品可以用于额定电压1200V及以下,额定电流在26A及以下的光伏系统中.

The switch has small volume,short arc extinguishing time,multiple contacts operating at the same time and other advantages.It has 1000VDC and 1200VDC specifications.The 1000VDC products can be used in solar system with rated voltage less than 1000 and below,rated current less than 32A;The 1200VDC products can be used in photovoltaic system with rated voltage 1200v or below, rated current 26A or below.

●该产品在使用接线中,接线无直流极性要求,可按归照自己的需求任意选择电源极和负载极.

In use of the wiring, it is no DC polarity requirements,the power pole and load pole can be arbitrarily selected according to their own requirements.



●该隔离开关有2P,4P,6P和8P,4个型号,2P可用于一组系统回路中,4P可用于两组系统回路中,6P可用于3组系统回路中,8P可用于4组系统回路中

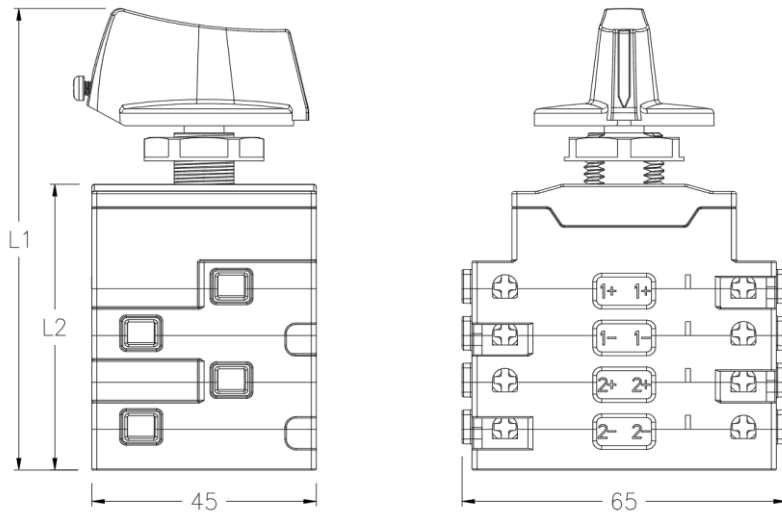
The isolator switch have 2P,4P,6P,8P four specification, 2P can be used in a set of system loops;4P can be used in two sets of system loops,6P can be used in 3 sets of system loops,8P can be used in 4 sets of system loops.

技术参数
Technical data:

型号 Model No.			NSI01-32 1000VDC 32A	NSI01-32 1200VDV 26A	NSI01-32 1500VDC 20A
额定电压 Rated voltage	Ue	V	1000	1200	1500
额定电流 Rated current	Ie	A	32	26	20
额定发热电流 Rated Heating current	Ith	A	32		32
额定绝缘电压 Rated insulation voltage	Ui	V	1500		
额定冲击耐受电压 Rated impulse withstand voltage	Uimp	V	8000		
额定短时耐受电流 (1s) Rated short-time withstand current(1s)	Icw	A	700		
额定短路接通能力 Rated short circuit capacity	Icm	A	1400		
产品尺寸 (长*宽*高) Size (length*width*height)	2P	mm	65*45*78.5		
	4P	mm	65*45*98.5		
	6P	mm	65*45*118.5		
	8P	mm	65*45*138.5		
产品极性 Product polarity		Pole	2,4,6,8		
额定工作时间 Rated working time		H/day	8		
产品接线能力 Product connection capability		mm ²	16		
M4拧紧力矩 (Min-Max) M4 tightening torque		Nm	0.7-1.0		
面板安装螺母拧紧力矩 (Min-Max) Panel install nut tightening torque		Nm	1.0-1.5		
安装方式 Installation method			Panel Type		
电寿命 Electric life		Time	1000		
机械寿命 Mechanical life		Time	20000		
环境温度 Ambient temperature		°C	-5°C~+40°C		
储存和运输温度 Storage and transportation temperature		°C	Between -25°C and +55°C and ,for short periods not exceeding 24h ,up to +70°C.		
海拔高度 Height above sea level		m	≤2000		
污染等级 Pollution level			III		
IP等级 IP level			IP20		
单孔面板安装密封盖的IP等级 IP for single-hole panel mounting seals cover			IP65		
额定工作制 Rated duty			不间断工作制 Uninterrupted duty		

产品和安装尺寸

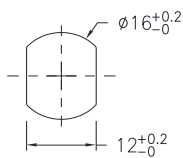
Product Installation and Size:



Pole	L1(mm)	L2(mm)
2P	78.5	41
4P	98.5	61
6P	118.5	81
8P	138.5	101

面板开孔尺寸

Panel opening dimensions



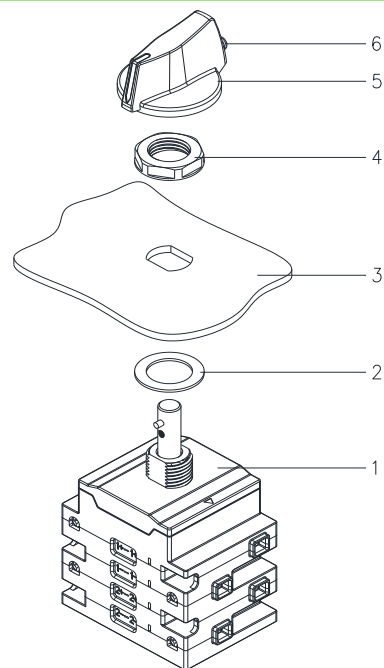
额定电流 (A) Rated current(A)	导体截面 (mm2) Conduct cross section
16	1x4
23	1x4
26	1x6
32	1x6

隔离开关的安装 Isolator Installation

1)将密封防水垫2放入隔离开关1的 本体上;
Put the sealed waterproof pad 2 on the body of isolator switch 1.

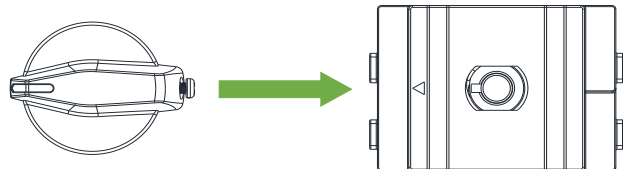
2)将隔离开关本体1的手柄轴和螺杆装入安装面板3的安装孔中;
Put the handle 5 of the mounted screw 6 on the handle.

3)将装好的螺钉6的手柄5套在手柄轴上,并用1#螺丝刀 (扭矩为1.2Nm-1.5Nm)将螺钉拧紧在手柄轴上。
Put the handle 5 of the mounted screw 6 on the handle shaft, and use 1# screwdriver (1.2Nm-1.5Nm torque) tighten the screw on the handle shaft.



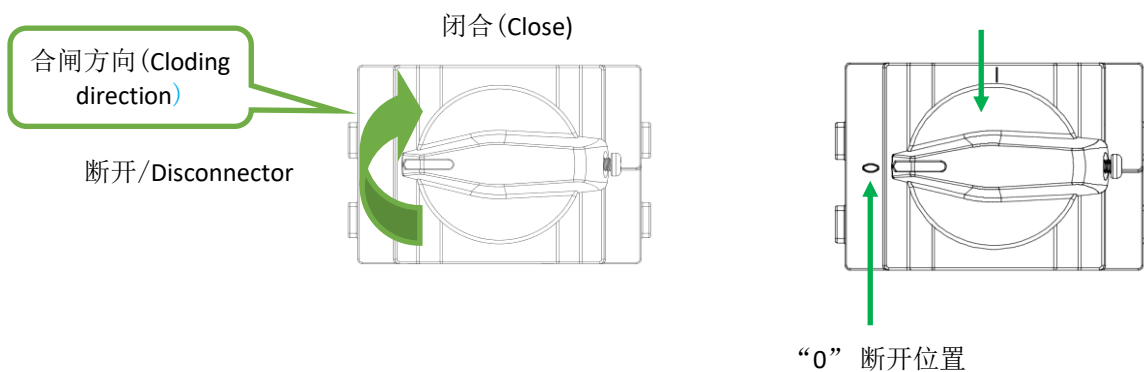
注(Note):

A.手柄和隔离开关本体的安装方向:
Handle and isolator body assemble direction:



B.产品状态和手柄操作方向
Product status and handle operation direction

“1” 闭合位置



C.接线时螺丝刀操作位置
Screwdriver operating position when wiring.

