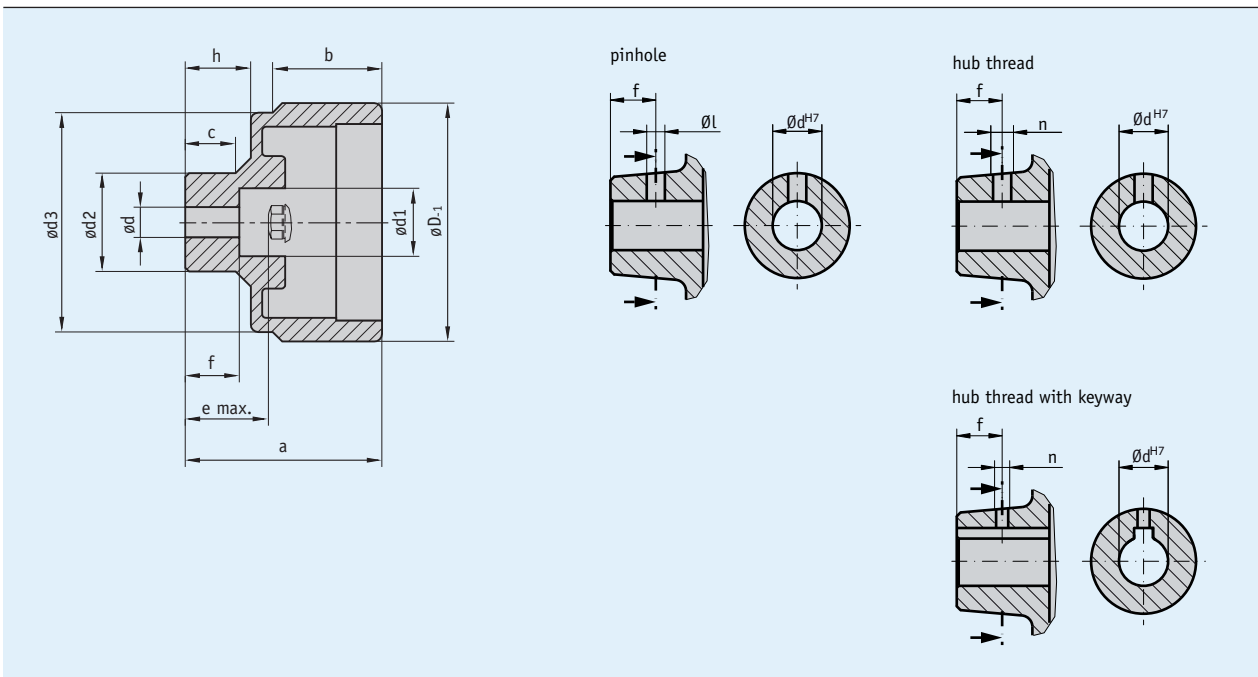


Profile

- Low-cost and compact turning handle made of glass-fiber reinforced plastic
- Various sizes
- Surface with rounded edges avoids accumulation of dirt
- Hub made of plastic or metal
- Various hub versions



Mechanical data

Feature	Technical data	Additional information
Material	plastic	
Weight	0.1 kg	HG5
	0.2 kg	HG10

Table of dimensions

Type	Hub	$\varnothing D$	$\varnothing dv$	$\varnothing dx$	$\varnothing d1$	$\varnothing d2$	$\varnothing d3$	a	b	c	e	f	h	Suitable for
HG5	synthetic	63		6 ... 12 ^{H9}	13	21	58	49	28.9	14.3	19.2	17.2	14.3	S50/1
	metal	63	5.8	6 ... 14 ^{H7}	18	26	58	52	28.9	13.3	22.2	14.3	17.3	S50/1
HG10	synthetic	98		6 ... 16 ^{H9}	16	30	93	56	31.5	18.7	22.8	20.7	18.7	S80/1; SZ80/1
	metall	98	5.8	6 ... 16 ^{H7}	25.5	35	93	59	31.5	18.2	25.8	18	21.7	S80/1; SZ80/1

$\varnothing dv = d$ prebored

■ **Special treatment**

Handwheel type	HG5				HG10			
	6, 8	9, 10	12	14*	6 ... 8	9, 10	11, 12	13 ...16
Bore dH7								
Groove width with keyway JS9		3	4	5		3	4	5
Pin hole	3.8/10	3.8/10	3.8/10	4.8/10*	3.8/10	3.8/10	3.8/10	4.8/10
Hub thread without keyway JS9	M4/10	M4/10	M4/10*	M6/10*	M4/10	M4/10	M4/10	M6/10
Hub thread with keyway JS9	M3/10	M3/10	M3/10			M3/10	M3/10	M4/10

* possible with metal hub only; **Texts highlighted in orange color are ordering features**

Order

Ordering information

One or more system components are required:

Analog position indicator S50/1

www.siko-global.com

Analog position indicator S80/1

www.siko-global.com

Analog position indicator SZ80/1

www.siko-global.com

Ordering table

Feature	Ordering data	Specification	Additional information
handwheel type	5	A HG5	
	10	A HG10	
Hub material	A	B aluminium	
	K	B plastic	
	VA	B stainless steel	
Bore diameter	5.8	C prebored	
	...	C 6 ... 16 mm, in steps of 1 mm	see Table of dimensions, maximum value ødx
Feather key groove	OP	D without keyway	
	JS9	D light seat	according to DIN 6885/1 T1, only with hub material "VA" or "A"
	P9	D tight fit	according to DIN 6885/1 T1, only with hub material "VA" or "A"
Pinhole	OS	E without pin hole	
	...	E diameter "ø"/measure "f" (e.g. 3.8/10)	see table Special processing, depending on the handwheel type, only if keyway is "OP", only if hub thread is "ONG"
		E others on request	
Hub thread	ONG	F without hub thread	
	...	F thread "n"/measure "f" (e.g. M4/10)	see table Special processing, depending on the handwheel type, only if pin hole is "OS", only with hub material "VA" or "A"
		F others on request	
Tapered hub	OAN	G without turned hub	
		G others on request	
Position indicator	PM	H position indicator mounted	separate ordering of a position indicator required!
	PS	H position indicator separate	separate ordering of a position indicator required!

Order key



Scope of delivery: HG...

Accessories:
End Plate AD

www.siko-global.com