

STAINLESS STEEL MACHINES

REVOLUTIONIZE YOUR
END-OF-LINE [PACKAGING]
PERFORMANCE

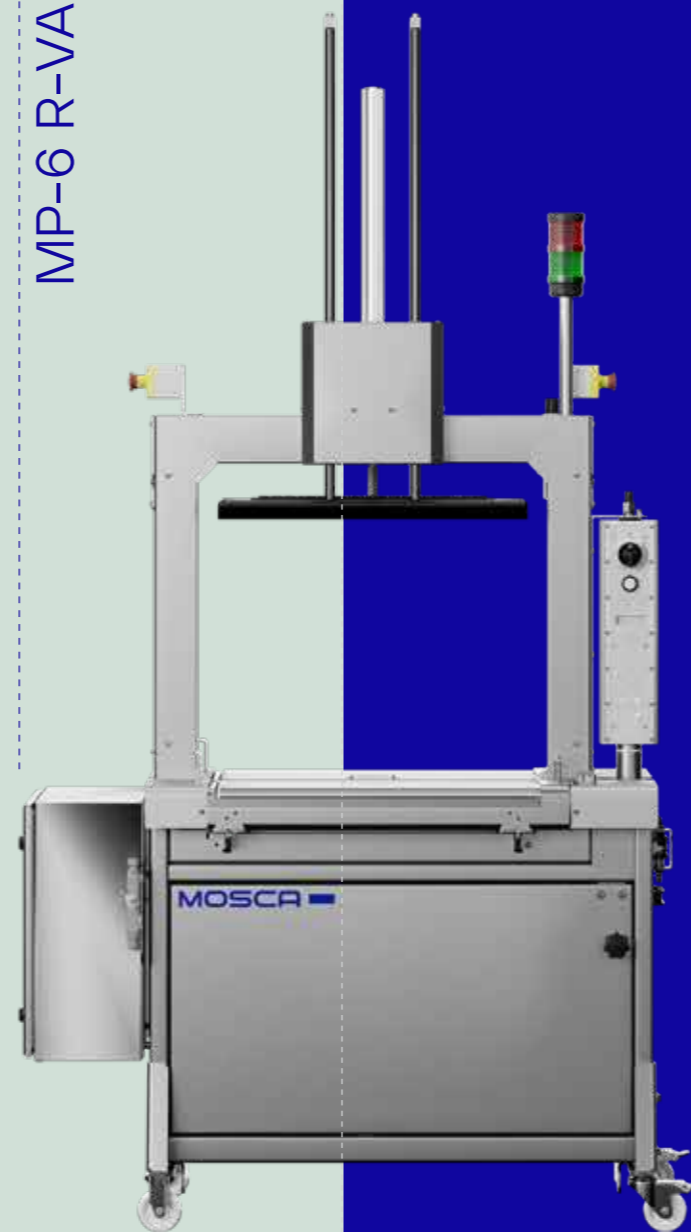
MOSCA

EN

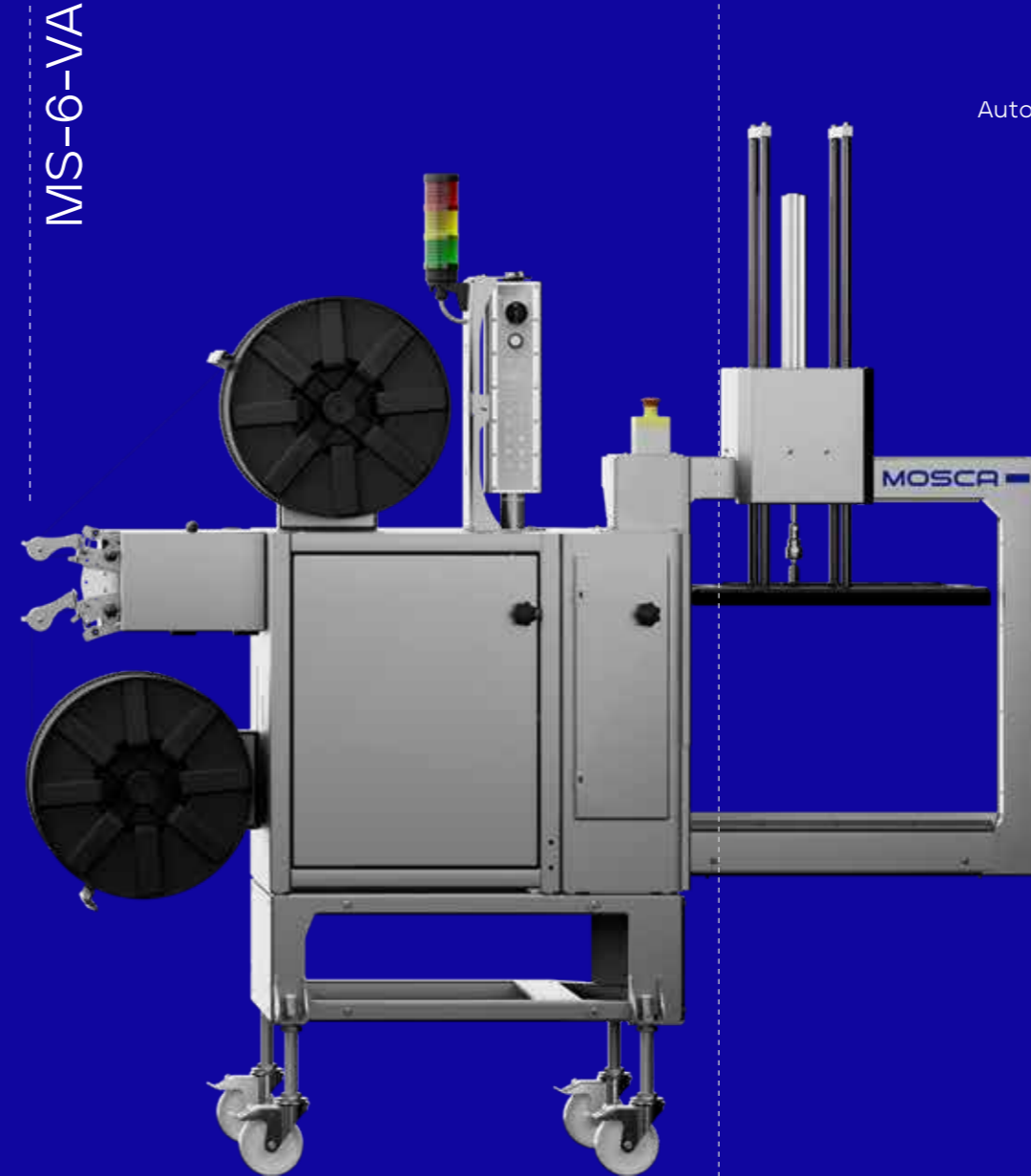
MP-6 T-VA



MP-6 R-VA



MS-6-VA



Automatic Strapping Machine (MP-6 T-VA / MS-6-VA)
Fully Automatic Strapping Machine (MP-6 R-VA)

Food & Beverage

SoniXs Sealing Unit | Standard-6

For PP and PET straps
(PET straps only suitable for MS-6-VA)

Corrosion-resistant

Lateral Position
of Sealing Unit (MS-6-VA)

NONSTOP RESPONSIBLE
NONSTOP RELIABLE
NONSTOP INTELLIGENT
NONSTOP PROGRESSIVE

NONSTOP PERFORMANCE

STAINLESS STEEL MACHINES

STAINLESS STEEL STRAPPING MACHINES FOR THE FOOD INDUSTRY

The food industry requires high-performance packaging solutions that work reliably even under the most adverse environmental conditions. The strapping machines of the VA series meet these requirements: Corrosion-resistant components were developed specifically for the cold and moist environment of the food industry.

Our three stainless steel machine models - the automatic SoniXs MP-6 T-VA as an entry-level model and the fully automatic strapping machines SoniXs MP-6 R-VA and SoniXs MS-6-VA - cover the entire range for the food industry in terms of corrosion resistance. This is ensured by the use of high-quality stainless steel and aluminum materials. In addition, the control cabinet and panel of these machines are sealed and thus protected from splash water and dirt.

TECHNICAL DATA [MP-6 T-VA / MP-6 R-VA]

Performance:
MP-6 T-VA: Up to 50 cycles / min
MP-6 R-VA: Up to 35 cycles / min

Frame Sizes: (W x H)
500 x 400 mm
600 x 600 mm

Working Height:
820 - 925 mm (standard)
730 - 835 mm (option - lower working height)
920 - 1,025 mm (option - increased working height)

Straps:
PP straps: Width: 5 - 12 mm
Thickness: 0.4 - 0.63 mm

Strap Coil Dispenser:
Core diameter: 200 mm
Core width: 190 mm

Electricity:
Voltage: 100 - 240 V, 50 / 60 Hz, 1L+N+PE (others on request)
Power consumption: approx. 0.20 kW (MP-6 T-VA), approx. 0.25 kW (MP-6 R-VA), depending on options

Weight:
200 - 260 kg

TECHNICAL DATA [MS-6-VA]

Performance:
Up to 52 cycles / min (550 x 500 mm)

Frame Sizes: (W x H)
450 x 400 mm
550 x 500 mm
650 x 600 mm

Conveying Height:
380 - 600 mm (standard)
215 - 390 mm (option - lower working height)
520 - 930 mm (option - increased working height)

Straps:
PP straps: Width: 5 - 12 mm
Thickness: 0.4 - 0.8 mm
PET straps: Width: 9.5 - 12 mm
Thickness: 0.54 mm

Strap Coil Dispenser:
Core diameter: 200 mm (optional 406 mm PET)
Core width: 190 mm (optional 150 mm PET)

Electricity:
Voltage: 100 - 240 V, 50 / 60 Hz, 1L+N+PE (others on request)
Power consumption: approx. 0.20 kW, depending on options

Weight:
250 - 400 kg

CONTACT US FOR A PERFORMANCE CONSULTATION!

mosca.com

Mosca GmbH
Gerd-Mosca-Straße 1 · 69429 Waldbrunn

info@mosca.com · +49 6274 / 932-0

STANDARD FEATURES

Corrosion-resistant SoniXs Ultrasonic sealing unit in standard-6 version

Easy accessibility and tool-free dismantling of strap path components

Stepless turnable control panel (0 - 180°) for many-sided operation

Adjustable strap tension via control panel

Quick strap coil change

Strap end detection with ejection of remaining strap

Machine completely corrosion-resistant (main use of V4A stainless steel)

IP 56 protection class design

Sensitive components (e.g. motors) are equipped with additional covers

OPTIONS

Pneumatic hold-down device

Low strap detection with signal in the control panel

Signal light (LED)

Signal exchange via 16-pin plug

[MP-6 T-VA]

- Table extension up to 90 mm
- Balls or rollers in the table plate
- Manual strapping release via additional fixed or flexible foot pedal
- Parameter control panel for setting strapping parameters
- Automatic strapping release via light sensor
- 4 castors, 2 of them are lockable
- Automatic adjustment of the strap tension by package height detection

CE marking inclusive conformity declaration

Extremely low energy consumption

[MP-6 T-VA]

- Soft strapping selectable for sensitive packages
- Strap coil changeable from the front and the side
- 2 fixed castors not lockable, 2 castors lockable (Ø 80 mm)

[MP-6 R-VA]

- Potential-free contacts to upstream and downstream machines
- Infinitely adjustable conveyor speed from 0.1 to 1.0 m/s
- Selector switch for single, double or multiple strapping
- Parameter control panel for setting strapping parameters
- Strap coil changeable from the front and the side
- 2 fixed castors not lockable, 2 castors lockable (Ø 80 mm)

[MS-6-VA]

- Dispenser variably mountable
- 4 castors - Ø 125 mm (all lockable)
- Parameter control panel for setting strapping parameters

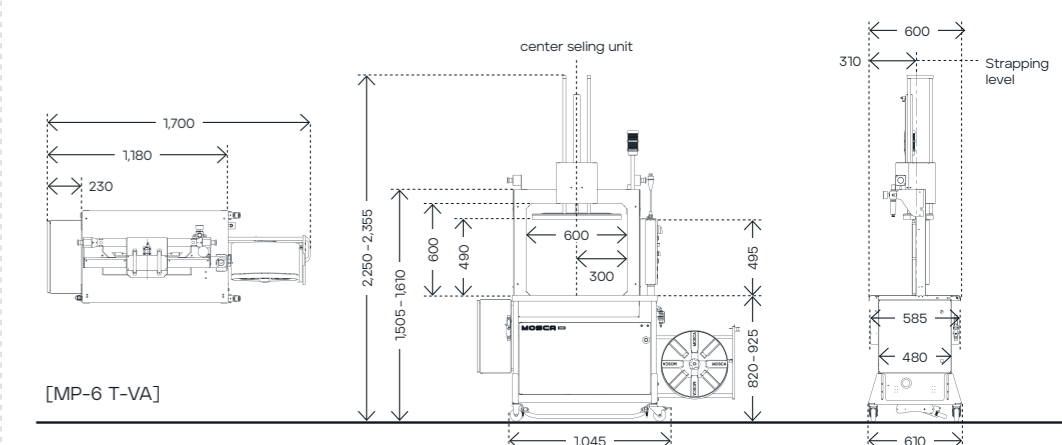
[MP-6 R-VA]

- Safety pop-up rollers in the infeed and outlet
- Product cover identification device - no strapping without product cover
- Brush guide for proper strap positioning
- Emergency-Stop Interface
- 4 castors, 2 of them are lockable
- Automatic adjustment of the strap tension by package height detection

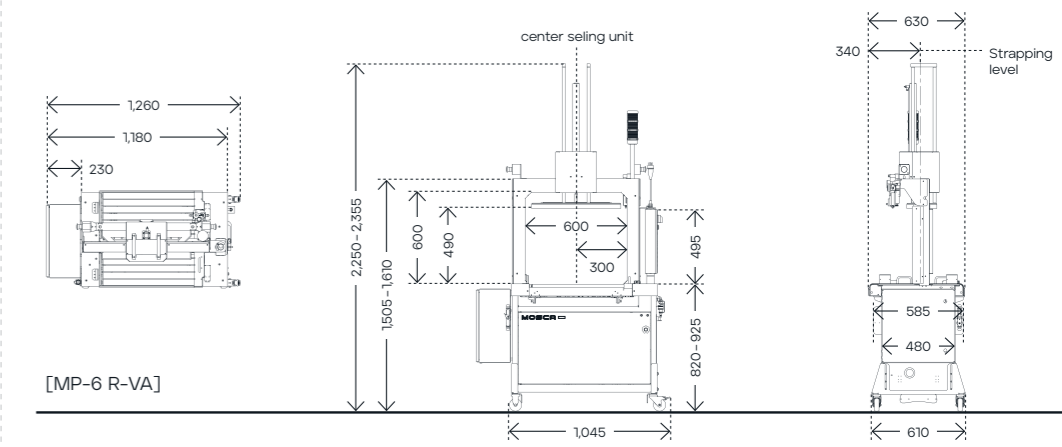
[MS-6-VA]

- Pneumatic side-pusher
- Fully automatic strap coil change by double strap dispenser
- Middle rollers
- Manual strapping release via flexible foot pedal

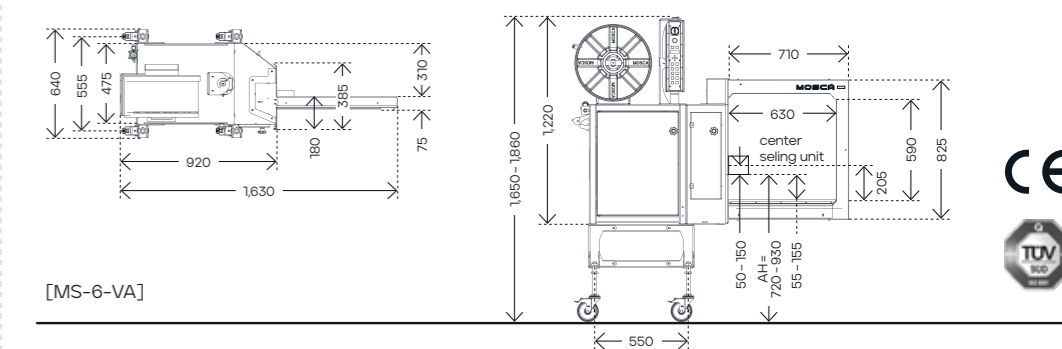
DIMENSIONS / WORKING WIDTH MACHINE (in mm; Picture includes options)



[MP-6 T-VA]



[MP-6 R-VA]



[MS-6-VA]