

# é\_volut!on

by haacon



haacon`s  
World innovation

loading...



PROBABLY THE HIGHEST QUALITY  
AND THE MOST POWERFUL  
„SERIES“ - THE ELECTRIC CABLE WINCHES ON THE MARKET !

haacon hebetchnik gmbh  
competence in lifting technology

made by haacon in germany

ELECTRIC CABLE WINCHES

## ELECTRIC CABLE WINCHES

**When it comes to the result !!!**

**Probably the highest and most powerful quality  
„Series“ - the electric cable winches on the market!**

**haacon`s**  
World innovation

loading...

The art of winch construction was born in 1872. It was here that the logic of a constant dedication to the construction of high quality electric cable winches was born. With that, we started thinking about being the best a few years ago. What we have achieved so far has been successfully implemented all over the world! Now we are going to improve even more.

The engineers at haacon have worked on the development of a new winch with even higher quality, which also offers you a better price.

You are welcome to challenge us. Get all the offers you would normally get in your daily business and then talk to us. We are sure you will find us THE affordable and reliable partner you are looking for.



Do you have a problem? We have the solution... put your competitors in the shade with our products. What's more, haacon's powerful „series“ electric cable winches are designed to last and be durable!

**A good feeling towards the environment and your wallet.  
The best value for money.**

**Anyone can buy cheap, but where is the quality?**

**Best performance & Best quality & Best engineering competence &  
Best prices & Made in Germany only few can do. We claim that only  
one manufacturer can do this in this form: **haacon hebetechnik gmbh** !**

# ELECTRIC CABLE WINCHES

## Your advantage:

**short delivery times**  
**flexible in the possibilities**  
**(speed, rope attachment etc.)**  
**unrivalled price**

### screwed drum:

easy replacement of the actual rope drum from smooth to grooved  
 subsequent attachment for divider  
 stored on both sides

### Speed:

The winch can be delivered with 10m/min without additional effort, instead of the slow 6m/min used in the competition

### Rope attachment:

The winch can take up to 120m / 150m rope as standard

### construction:

compact, due to the use of high-quality ropes  
 high quality, by using the best materials

### Security:

designed with sufficient reserves, both in terms of statics and motor design  
 high quality industrial planetary gear  
 Brake motor IP55 400V 3 phases 50 Hz. (other voltages and degrees of protection on request)  
 Design according to 1Am  
 electronic overload protection  
 Limit switching

### Lacquer finish:

RAL 9006 white aluminium

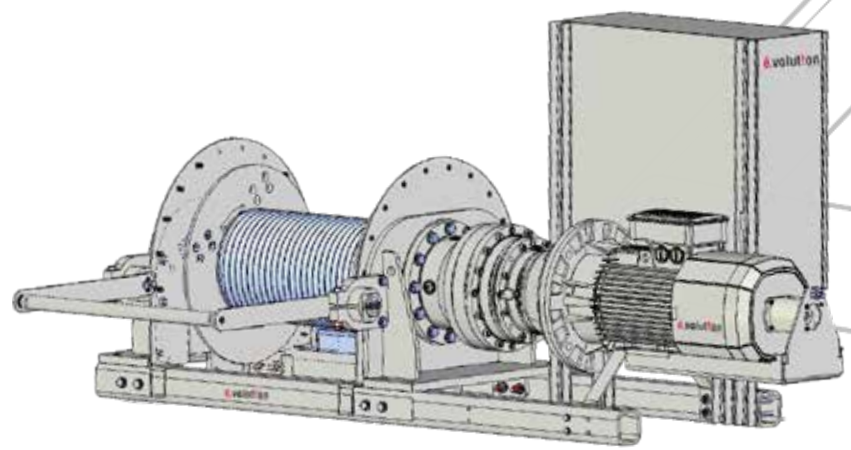
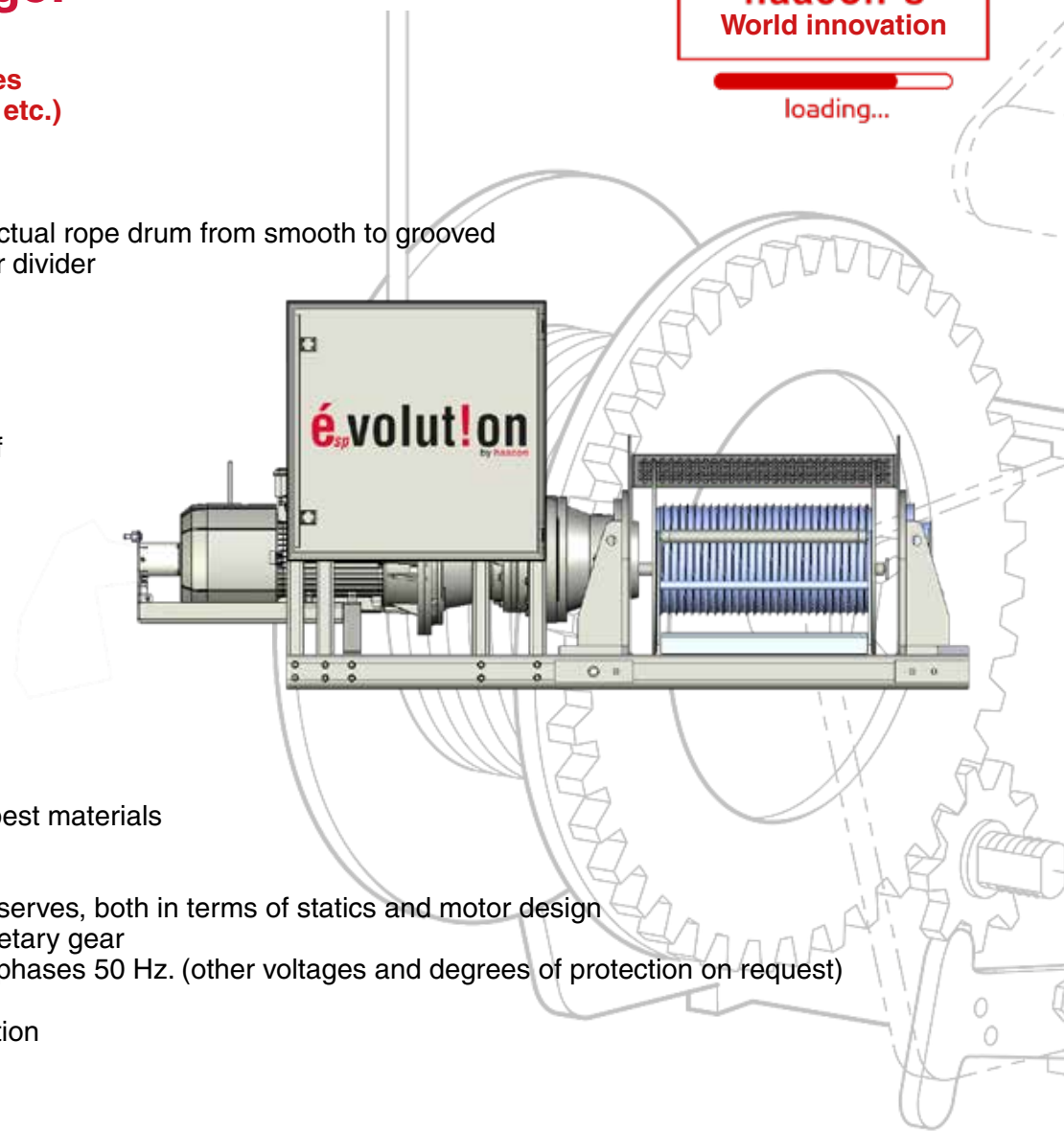
### experience:

The winch reflects our experience of decades in winch construction.

### Optional:

Enclosure  
 Drum cover  
 Pressure roller  
 Slack rope switch  
 Frequency control  
 customer-specific control systems  
 Coupling  
 grooved drum  
 Emergency manual operation  
 Offshore coating  
 Radio remote control  
 split drum

**haacon`s**  
**World innovation**



## ELECTRIC CABLE WINCHES



- Best performance**
- + Best quality**
- + Best engineering competence**
- + Best prices**
- + Made in Germany**

 **évolut!on**  
by haacon

Please complete programme  
request or download!



 **haacon**

 **évolut!on**  
by haacon

**haacon hebetechnik gmbh**

Josef- Haamann- Str. 6

D-97896 Freudenberg

☎ + 49 (0) 9375-84 321

☎ + 49 (0) 9375-84 108

hebertechnik@haacon.com

**haacon France Sàrl**

3 D, rue du Fort

F-67118 Geispolsheim

☎ + 33 (0) 3 90 40 30 10

☎ + 33 (0) 3 90 40 30 14

haaconfrance@haacon.com

**haacon hebetechnik austria gmbh**

Lisztgasse 12b

A-7091 Breitenbrunn

☎ + 43 (0) 664/16 23 917

☎ + 49 (0) 9375/84 321

☎ + 49 (0) 9375/84 86

haaconaustria@haacon.com