

Indicating Torque Screwdriver – FTD-S



- Coloured dial plate.
- Peak torque indication via memory pointer.
- Bi-directional scale plate (right/left).
- Accuracy $\pm 3\%$ of rated capacity (FSD).
- 1/4" tool insert.
- Traceable calibration certificate (ISO/JCSS).
- Alternatively available with metric (gf·m/kgf·m) or imperial (ozf·in/lbf·in) scale on request.

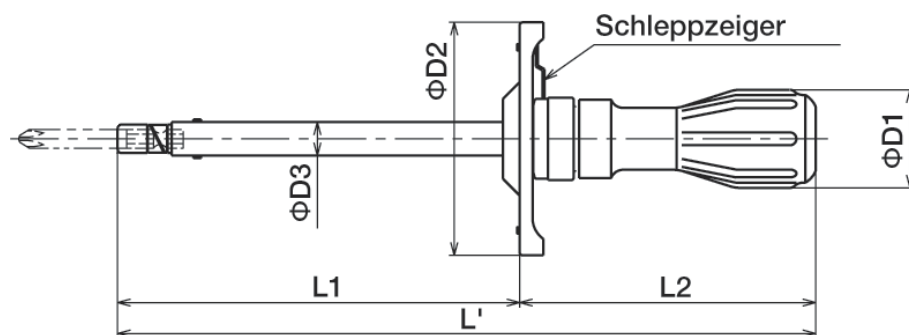
Direct Reading Dial Torque Screwdriver with Memory Pointer

Tohnichi's basic FTD-S series direct reading torque screwdriver is suitable for inspection of tightened screws. With bi-directional scale plate, it can be used for both retightening and loosening torque testing methods.

Applicable for international use including the EU region. Compliant with calibration procedures of ISO 6789 Type I Class D.

Models with metric (gf·cm) or english/american units (lbf·in, ozf·in) available on request.

Most FTD-S models are equipped with 1/4" female hexagon insert for Bits and Adaptors according to DIN 3126 E 6.3, except of the two larger models FTD8N-S and FTD16N-S which are equipped with male square drive and come with auxiliary tightening tool ("T-Grip") as standard accessory.



FTD-S (cN·m)

Model	Part No.	Torque Range *	Graduation	Scale Plate	Applicable Screws		L'	øD1	Weight	Hx (f)
					cN·m	cN·m				
FTD 2 CN-S	T201010	0.4 - 2	0.05	red (vermillion)	M1	M1	152	20	0.14	1/4
FTD 5 CN-S	T201013	1 - 5	0.1	blue	M1.2	(M1.1) M1.2	152	20	0.14	1/4
FTD 10 CN-S	T201016	2 - 10	0.2	green	M1.6	(M1.4) M1.6	152	20	0.14	1/4
FTD 20 CN-S	T201019	4 - 20	0.5	purple	M2	(M1.8) M2	152	20	0.14	1/4
FTD 50 CN2-S	T201022	10 - 50	1	red (vermillion)	M2.5	(M2.2)	272	38	0.37	1/4
FTD 100 CN2-S	T201026	20 - 100	2	blue	M3 (M3.5)	M2.5, M3	272	38	0.37	1/4
FTD 200 CN2-S	T201029	40 - 200	5	green	M4	(M3.5)	272	38	0.37	1/4
FTD 400 CN2-S	T201032	80 - 400	10	purple	M5	M4	272	38	0.37	1/4

FTD-S (N·m)

Model	Part No.	Torque Range *	Graduation	Scale Plate	Applicable Screws		L'	øD1	Weight	Sq (m)
					N·m	N·m				
FTD 8 N2-S	T201035	1.6 - 8	0.2	red (vermillion)	M6	(M4.5)	338	50	0.90	1/4
FTD 16 N2-S	T201038	3.2 - 16	0.5	blue	M8	M6 (M7)	338	50	0.93	1/4



Further information available 24/7 on our website.

* It is recommended to use in medium performance range (approx. 1/3 to 4/5 of rated capacity). If you regularly worked close to the limit of load (maximum span value), a larger model may be more convenient for the application.

Tel: +49(0)40 303 989 100 • Mail: info@zemo-tools.de