

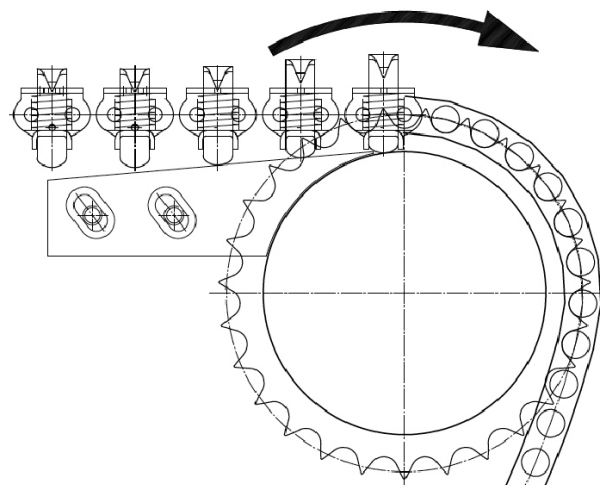


iwis® Grip Chains

Problem/initial situation: Reliable feeding, transporting and positioning of thin-walled materials with a large area. **Our solution:** iwis high performance chains with wear- and corrosion-resistant clamping elements!

Key features

- iwis high performance chain with excellent wear resistance
- Marginal initial elongation due to optimal pre-stretching
- High rigidity enables applications also in long machines
- Basic chain chemical nickel plated
- Flawless operating parallel as well as synchronously running chains due to practically identical chain lengths
- All chains are provided with reliable, high quality initial lubrication, approved for use in the food industry
- Differing levels of spring force allow an extremely wide range of materials to be gripped gently
- Complete chain solution – ready-to-install
- Delivery in 50 meter reels or in customized chain lengths
- Recommended max application speed is 2 m/s



Version A

“1-Tip” Grip chains



Technical features

- Single and duplex chain 1/2 x 5/16 inch to DIN 8187-1/ISO 606
- Gripper with 1 tip, special designs on request
- Retaining force is dependent on material conveyed and spring design – differing number of coils and wire spring diameters obtainable
- The gripper opens by running against a control disc (e.g. chain wheel hub) which causes it to swivel out of the way to the outside
- Design of the chain wheel hub at request
- Initial lubrication approved in the food industry

Version B

“2-Tip” Grip chains

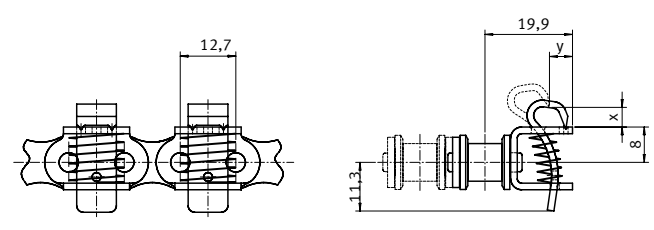
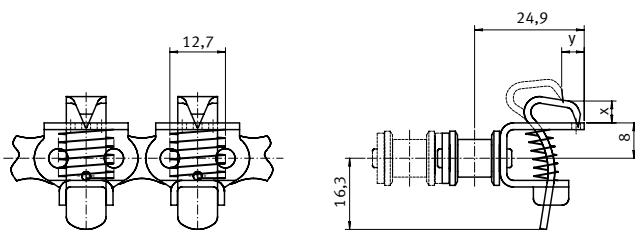


Technical features

- Single and duplex chain 1/2 x 5/16 inch to DIN 8187-1/ISO 606
- Gripper with 2 tips, special designs on request
- Retaining force is dependent on material conveyed and spring design – differing number of coils and wire spring diameters obtainable
- The gripper opens by running against a control disc (e.g. chain wheel hub) which causes it to swivel out of the way to the outside
- Initial lubrication approved in the food industry
- Higher retention force in comparison with “1-Tip” Grip chain

Ref. no. iwis	DIN ISO	Pitch p (mm)	Ave. foil retention force (N)	Spring	x	y	Mat. no.
L 85 Grip	08 B-1	12,7	10	0,7x6	5	6	50007495
L 85 Grip	08 B-1	12,7	24	0,9x5	4	5	50034722

Ref. no. iwis	DIN ISO	Pitch p (mm)	Ave. foil retention force (N)	x	y	Mat. no.
L 85 Grip	08 B-1	12,7	35	3,0	4,5	50024958



Dimensions x and y dependent on the spring used, on request
 These are max. values for the opening stroke.
 Lower opening strokes will increase life expectancy of the spring.

Version C

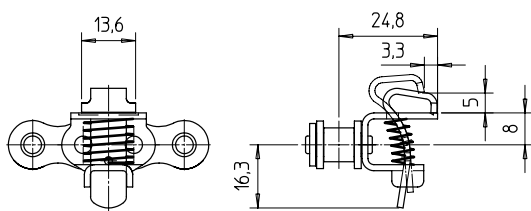
“Flat clamp” Grip chains



Technical features

- Single and duplex chain 1/2 x 5/16 inch to DIN 8187-1/ISO 606
- Gripper designed as a flat clamp
- Retaining force is dependent on material conveyed and spring design – differing number of coils and wire spring diameters obtainable
- The gripper opens by running against a control disc (e.g. chain wheel hub) which causes it to swivel out of the way to the outside
- Gentle material handling
- Low transmission forces

Ref. no. iwis	DIN ISO	Pitch p (mm)	Ave. foil retention force (N)	Mat. no.
L 85 Grip	08 B-1	12,7	5	50037062



Dimensions x and y dependent on the spring used, on request
 These are max. values for the opening stroke.
 Lower opening strokes will increase life expectancy of the spring.

Version D

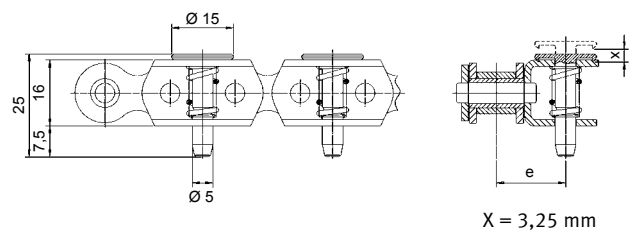
“Button” Grip chains



Technical features

- Single chain 1/2 x 5/16 or 5/8 x 3/8 inch to DIN 8187-1/ ISO 606
- Special design with button grip elements
- Gripper as a flat head
- Retaining force is dependent on material conveyed and spring design – differing number of coils and wire spring diameters obtainable
- **iwis Patent** (spring is fixed without washer)

Ref. no. iwis	DIN ISO	Pitch p (mm)	Ave. foil retention force (N)	e	Mat. no.
M 106	10 B-1	15,875	70	16,8	50034301
L 85	08 B-1	12,7	70	15,8	50035491



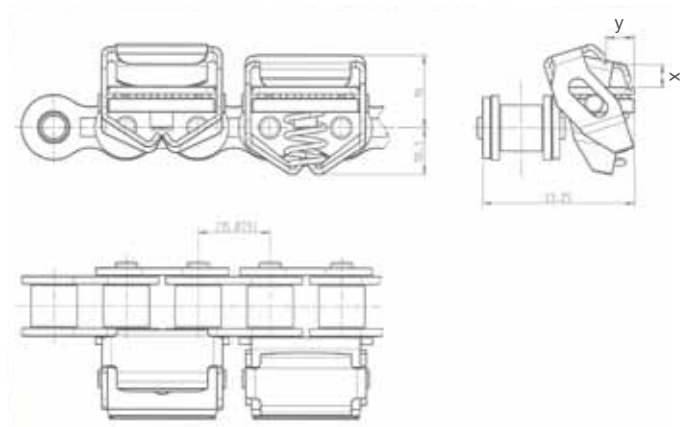
Version E

New iwis Grip chain – a complete solution



Technical features

- Optimization of the gripper Chain M106 with attachment 202.6 on one side and delivery as a complete solution with the gripper system consisting of clamp, plate and spring
- M106 standard chain also available without attachments
- Clamp and spring made of corrosion resistant steel
- Chain is chemically nickel-plated
- Available with long-lasting lubrication or with lubricant for food use

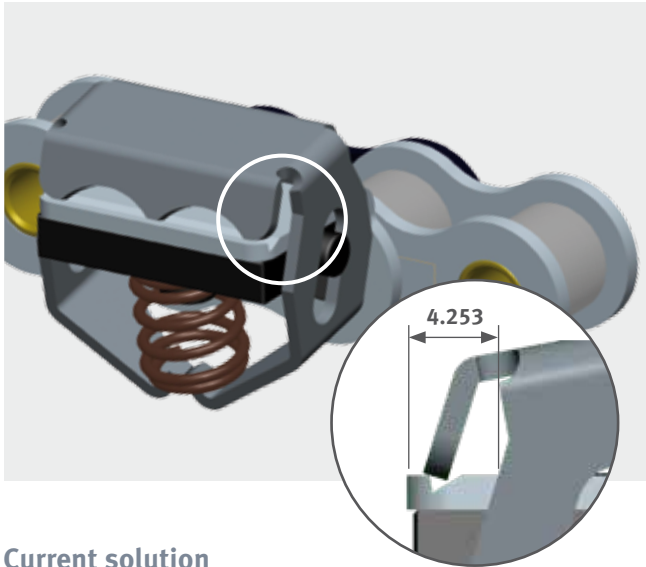


Ref. no. iwis	DIN ISO	Pitch p (mm)	Ave. foil retention force (N)	x	y	Mat. no.
M 106	10 B-1	15,875	85	4.9	6.1	50039260

These are max. values for the opening stroke.
Lower opening strokes will increase life expectancy of the spring.

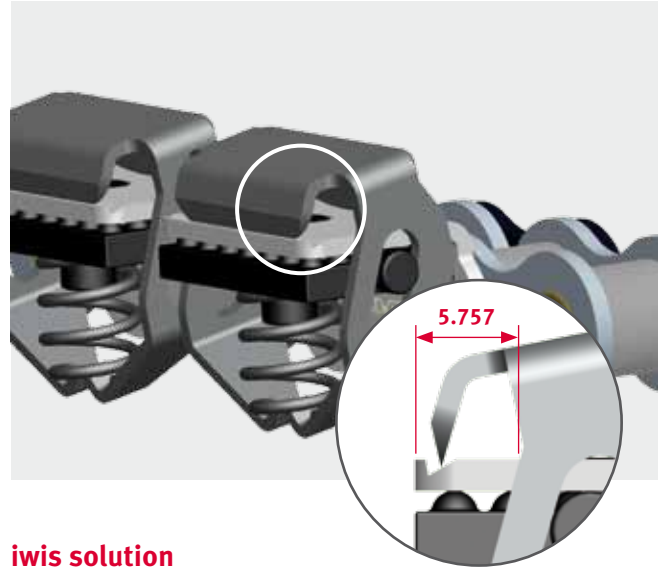
Optimization of the gripper functioning

More space for the plastic film



Current solution

- Not enough space for foil insertion
- Point load application on the foil may lead to foil rupture and noise exposure
- Foil deformation possible at gripper element



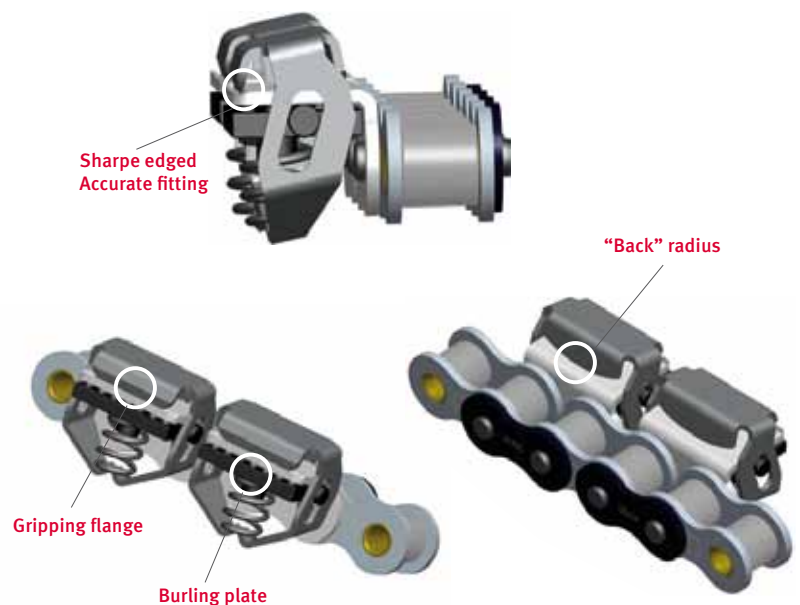
iwis solution

Advantages

- Accurately fitting of the gripper in the groove
- Better retention force depending on plastic film
- Optimized functional safety and hygiene through burling plate
- Better foil insertion through more free space
- Foils do not twist

Details of the gripper functioning

- Clamp is being made out of corrosion resistant, high-tensile and dimensionally stable steel
- “Back” radius on clamp for optimum opening and closing of the gripper (self centring)
- Accurately fitting of the gripper in the groove
- Sharpe edged and wear resistant gripping flange guaranties long life time
- Gripping flange is rounded on the side for protecting the transported plastic film
- Burling plate guaranties optimum wear behaviour (steel-plastic)



Sprockets

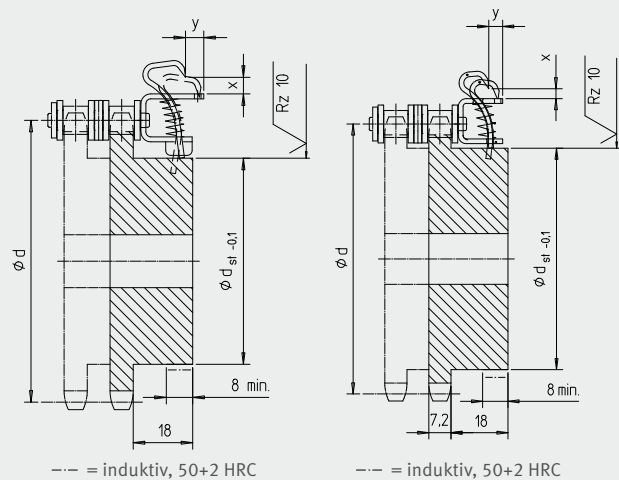
The sprockets for our new gripper chain are really simple!



- Sprocket design is based on a two part assembly. One part is a sprocket nearly the one side hub sprocket like catalog. The second part is a control disk
- This part must be hardend because it is in contact to open the gripper
- The two parts are assembled with press fit
- As smallest sprocket for this application we advise 14 teeth
- For a better chain running we suggest more than 19 teeth for the sprocket
- A lot of adaptations are possible, for example plummer blocks, keyways, threads, special diameters, surfaces ...
- Please contact iwis with your technical requirements and quantity



Examples of special sprockets for 1/2" Grip chains Version A and Version B



Version A

Version B

Dimensions x and y dependet on the spring used, on request. We recommend a ramp if the number of teeth is less then 20 teeth, beyond that ramp is optional.

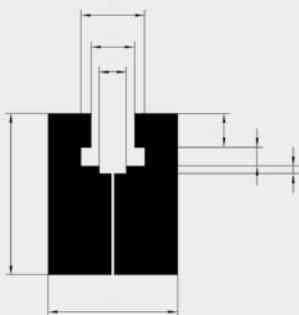
Available chain guides made of plastic



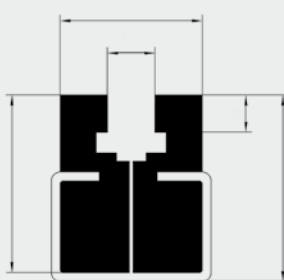
Slide rails from ultra high molecular high density polyethylene (PE-UHMW)1000 with a regenerative component.

This proven quality is characterised by its outstanding sliding properties, abrasion resistance and mechanical values.

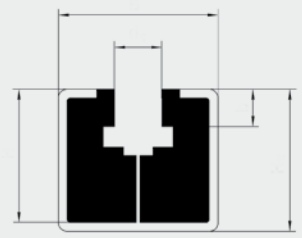
GL 1B 2-Teile



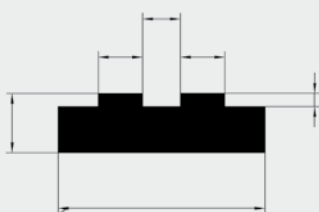
GL 1B-C 2-Teile



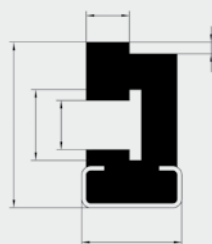
GL 1B-C covered



GL 2



ETA



Special custom-made guides are available on request!

For more chains guides, please check our ELITE Drive Components Catalog.

Our subsidiaries

Germany

iwis antriebssysteme GmbH & Co. KG
Albert-Roßhaupter-Straße 53
81369 München
Tel. +49 89 76909-1500
Fax +49 89 76909-1198
sales@iwis.com

Germany

iwis antriebssysteme GmbH
Essener Straße 23
57234 Wilnsdorf
Tel. +49 2739 86-0
Fax +49 2739 86-22
sales-wilnsdorf@iwis.com

Germany

iwis agrisystems
Schützenweg 5
36205 Sontra
Tel. +49 5653 9778-0
Fax +49 5653 9778-26
agrisystems@iwis.com

UK

iwis drive systems Ltd.
Unit 8c Bloomfield Park
Bloomfield Road, Tipton
West Midlands, DY4 9AP
Tel. +44 12 15213600
Fax +44 12 15200822
salesuk@iwis.com

France

iwis systèmes de transmission
10, rue du Luxembourg
69330 Meyzieu
Tel. +33 4374515-70
Fax +33 4374515-71
salesfr@iwis.com

Switzerland

iwis AG Kettentechnik
Bahnweg 4 (Postfach)
5504 Othmarsingen
Tel. +41 62 8898999
Fax +41 62 8898990
info@iwis-ketten.ch

Italy

iwis antriebssysteme Italia
Tel. +39 340 9296142
Fax +49 89 76909 491647
salesit@iwis.com

China

iwis drive systems Co. Ltd.
Lu Yuan Industrial Park Nanhui
Building NO. 8, Liuzhao Town
No. 369 Luji Road, 201322 Shanghai
Tel. +86 21 338964-21
Fax +86 21 338964-20
sales@iwis.com

USA

iwis drive systems, LLC
Building 100, 8266 Zionsville Road
Indianapolis, IN 46268 USA
Tel. +1 317 821-3539
Fax +1 317 821-3569
sales@iwisusa.com

Canada

iwis drive systems, Inc.
#1- 19349- 94th ave
Surrey B.C. V4E 4E6
Tel. +1 778-298-3622
Fax +1 778-298-7219
salesca@iwisusa.com

Brazil

iwis Sistemas de Transmissão
de Energia Mecânica Ltda.
R. Bento Rosa, 776
Bairro Hidráulica
95.900-000 Lajeado, RS
salesbrazil@iwis.com

South Africa

iwis drive systems (Pty) Ltd
unit 3, 127 Koornhof Road
Meadowdale 1614
Phone(011) 392- 2306/7
Fax (011) 392-3295
salessa@iwis.com

Turkey

iwis antriebssysteme GmbH & Co. KG
Türkiye Istanbul İrtibat Bürosu
Kozyatağı Mah. Bayar Cad. Gülbahar Sok. No: 17
Perdem Sac Plaza Kat: 5 Daire: 57-58
34742 Kadıköy-İstanbul
Tel. +90 216 545 25 97
Faks +90 216 545 25 98
salestr@iwis.com

www.iwis.com

iwis
antriebssysteme
wir bewegen die welt

Your sales representative

