

SURFACE
AERATION

AQUAFEN[®]

HIGH SPEED AERATOR



SFA
enviro

AERATION AND MIXING
OF SHALLOW AND
MEDIUM DEPTH TANKS,
LAGOONS & PONDS

Europelec

MAIN CHARACTERISTICS

The Aquafen® is a high-speed floating aerator for the aeration and mixing of industrial effluent and wastewater prevents stagnation in lagoons.

Provided the supply and distribution of oxygen for the treatment of wastewater.

Allows the wastewater to be mixed to maintain the solid particles in suspension and ensure effective treatment of the solution in the lagoons.

Prevents the development of duckweed and algae.

Designed for simple installation and can be in situ above the water surface without draining the lagoon. This aerator is used for many various applications including bioreactors, activated sludge reactors, SBRs and fixed and variable level treatment lagoons.

ADVANTAGES

EASY TO INSTALL BY CRANE OR HI-AB

FOR USE IN VARIABLE OR FIXED LEVEL PONDS AND TANKS.

HIGH SPEC DRIVE MOTORS ABOVE IP56 FOR RIGURUS CONDITIONS.

LOW MAINTENANCE COSTS

HIGH DURABILITY

CORROSION RESISTANT MATERIALS

READY TO USE IMMEDIATELY

ONE OF THE LARGES SIZE RANGES ON THE MARKET WITH POWER AVAILABLE FROM 4 TO 110 KW

GENERAL AERATOR HYDRAULICS OPTIMIZED TO ENSURE MAXIMUM EFFLUENT FLOW WITH A HORIZONTAL SPRAY PATTERN LIMITING AEROSOLS.

CAN BE USED WITHIN LARGE WATER LEVEL VARIATIONS

COMPONENTS

CORROSION RESISTANT

1 The motors are to IE3 standards with enclosures and additional protection plus sealing especially modified to Europelec standards

THE AERATOR UNIT

2 Consisting of a propeller

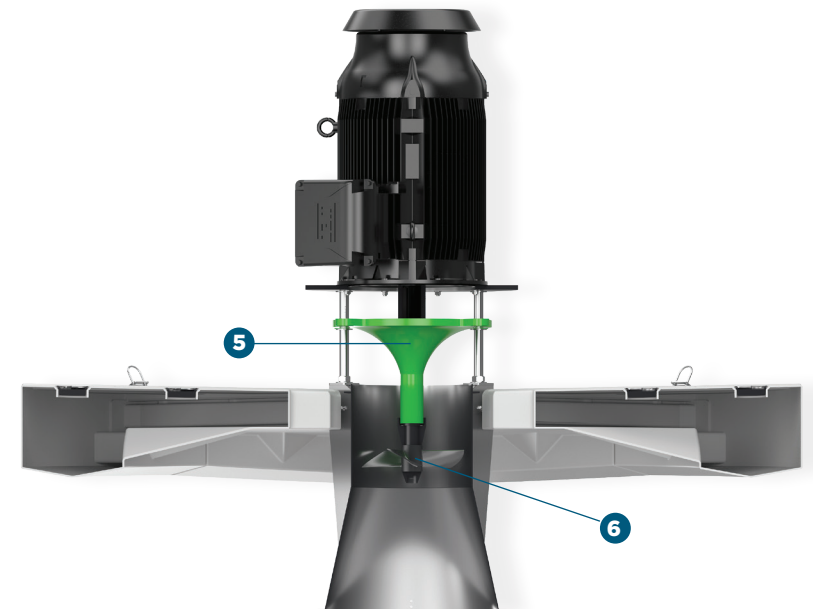
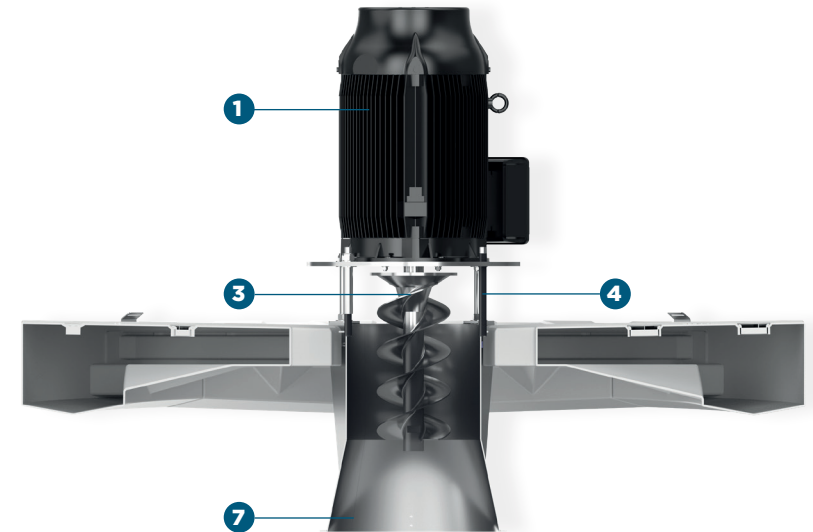
3 Stainless steel fins

4 Motor support in stainless steel

5 Deflector or Spinning device only (depending on the aerator model)

6 The float is made up of pre-molded, ultra-resistant, recyclable HDPE construction, mounted on a stainless-steel structure (304L or 316L). The float is highly resistant to shock loading and is mechanical and chemically resistant - ensures perfect buoyancy and stability of the aerator.

7 Stainless steel draft tubes available

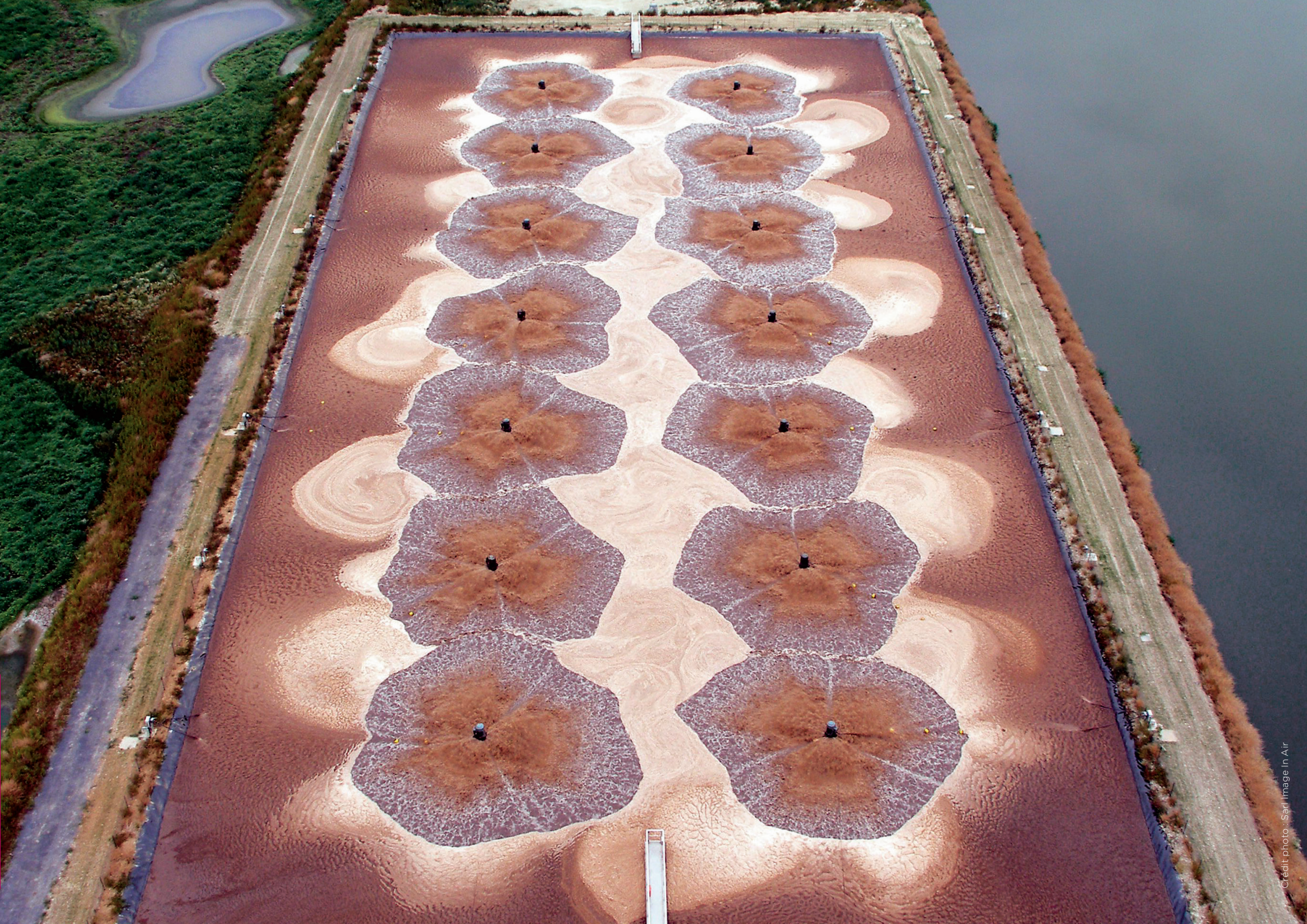




OPTIONS

- 304L or 316L
- Side suction for shallow lagoon and extension pipe for deep tanks
- 4 or 6 pole motor (1500 or 1000 rpm)
- Lifting Options: can offer polyester slings which are certified lightweight, easy to handle and offer high chemical resistance
- Mooring rope or guide bar securing system in case of significant liquid level variations
- Lifting Brackets





A STEP AHEAD IN WATER TECHNOLOGY

sfa-enviro.com

 [@sfa_enviro](https://twitter.com/sfa_enviro)

 **SFA** GROUP

