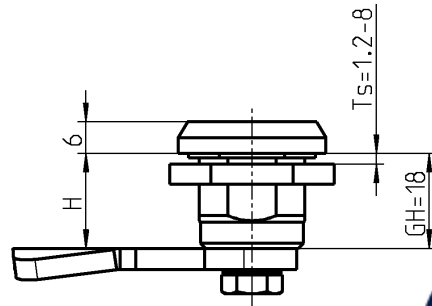
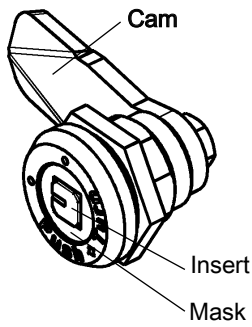


Stainless steel safety quarter turn with mask

PROGRAM 1000

Beschlagteile



Insert square or triangular



Insert double bit

Push and turn insert

Safety quarter turn:
This lock is of vibration proof design. Depending on the installation location and operational conditions, specific checks are necessary and/or supplementary measures of fastening required.

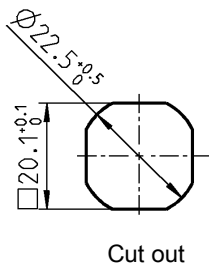
Version double bit: Key only removable in locked position.

Keyhole for double bit according to DIN 43668.

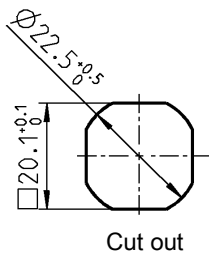
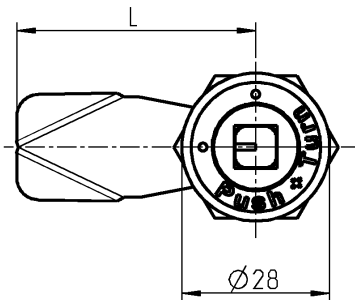
The H-dimension will be reduced by 2 mm when a finger pull is installed (see catalogue page 1C-320).

Further parts see page

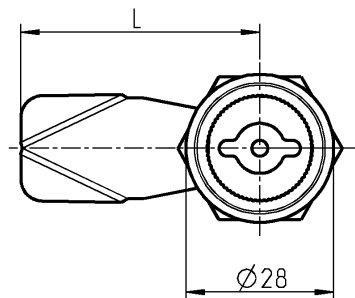
- Cam without catch 8A-320
8A-340
- (not suitable for stainless steel slam cam)
- Accessories up to 1C-320
1C-380
- Key 12B-120



Cut out



Cut out



Housing and insert AISI 316, nut and screw stainless steel, with spring and seal

Square 6	on request
Square 7	on request
Square 8	on request
Square 8 slotted	on request
Triangular 6,5 CNOMO	on request
Triangular 7	on request
Triangular 8	on request
Triangular 9	on request
Triangular 10	on request

Housing and insert AISI 316, mask stainless steel, nut and screw stainless steel, with spring and seal

Double bit 3 mm RH version	on request
Double bit 3 mm LH version	on request
Double bit 5 mm RH version	on request
Double bit 5 mm LH version	on request