



VolumION

The VolumION blowers are robust and therefore suitable for industrial use. The distance from the blower to the product or material to be neutralised may be 1,5 metre at most. The built-in Simco-Ion shockless anti-static bars are energized by a Simco-Ion power unit which supplies the required voltage for ionisation.

The VolumION is a very robust ionizing air blower with an effective ionising width of 500 mm. The VolumION consists of a motor, two fans and an ionisation unit. Ambient air is drawn on two sides and blown off along three anti-static bars. The air flow that is drawn in is adjustable on both sides.

This ionising air blower is also ideal for long range neutralising when paper and film webs are being wound. The air inlets can be fitted with a special filter. Manual operation can be implemented by an additional control circuit. The control circuit enables you to mount a potentiometer and LED by simply providing 2 holes.

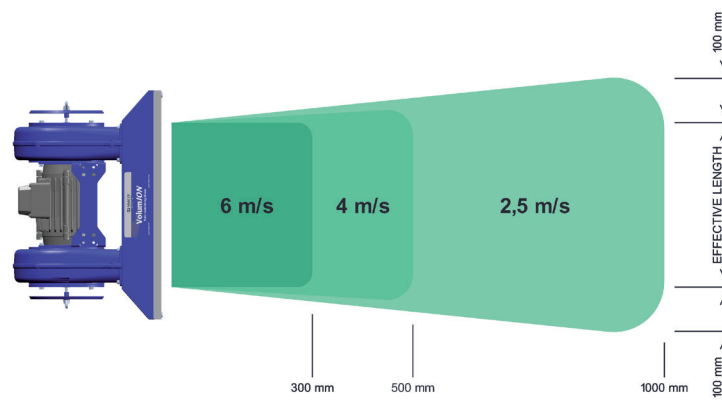
Features

- ⊕ Robust design, for (heavy) industrial use
- ⊕ 400V silent motor
- ⊕ Constructed for easy cleaning
- ⊕ Standard equipped with 3 meter Neoprene cable
- ⊕ Adjustable air flow
- ⊕ Optional air filters available
- ⊕ Ionisation possible from 1500 mm distance from the web
- ⊕ CE certified

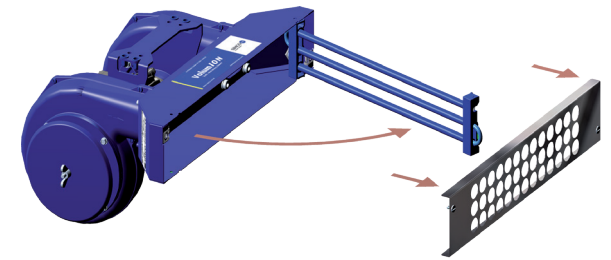


Technical specifications

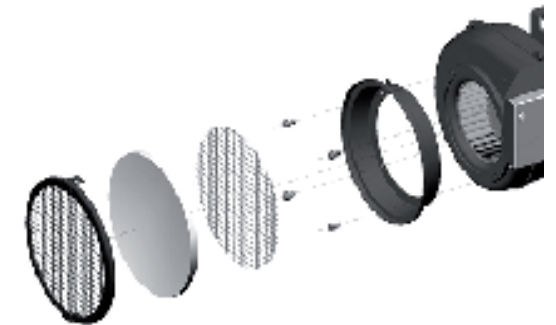
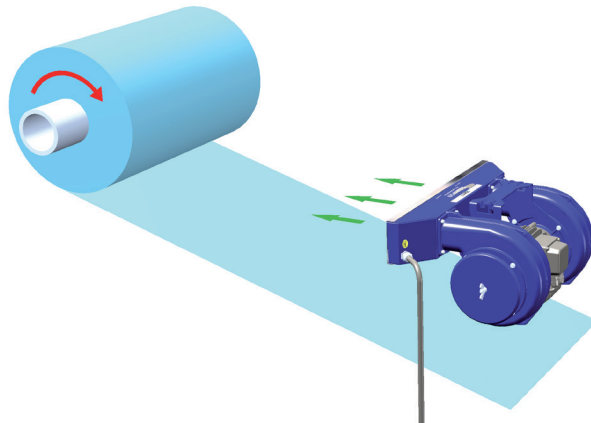
Working distance	1500 mm max.
Working width	500 mm
Housing material	steel, powder coating
Ionizing bar material	PVC
Emitter pins	special alloy
Cable bar	3 m metal shielded
Cable motor	3 m (Neoprene)
Weight	11 kg
Ambient temperature	0 - 50 °C
Use circumstances	industrial
Noise level	77 dB(A) (at 1 metre)
Airvolume	50 Hz: 600 m3/h 60 Hz: 660 m3/h
U primary	400 V AC, 50 Hz/60 Hz
Power consumption	140 Watt
Option	filter
Suitable power unit	A2A7S/ MPM



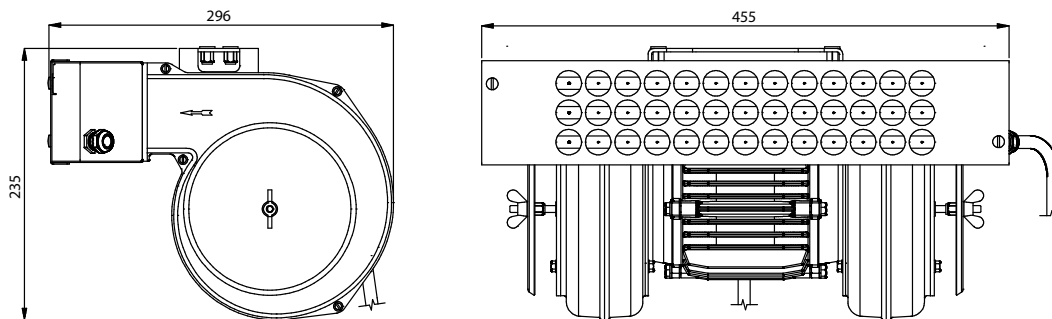
Airflow / speed and working distance



Smart construction for easy cleaning of the ionisation unit



Optional filter, ensures clean air impacts the target area



Technical drawing VolumION

Simco-Ion Netherlands

Postbus 71
 Lochem, The Netherlands NL-7240 AB
 Tel: +31 (0)573 288333
 Fax: +31 (0)573 257319
 general@simco-ion.nl
 www.simco-ion.nl