

SURFACE
AERATION

AER-GD

LOW SPEED SURFACE AERATOR



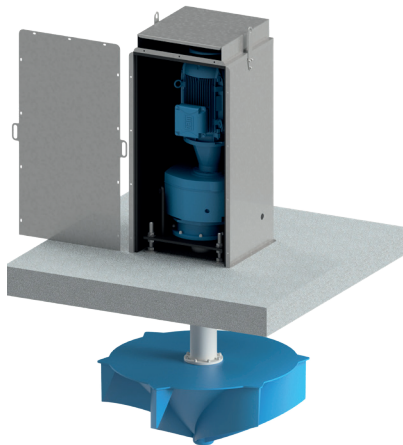
SFA
enviro

FIXIBLY / FIXED LOW-SPEED
SURFACE AERATOR

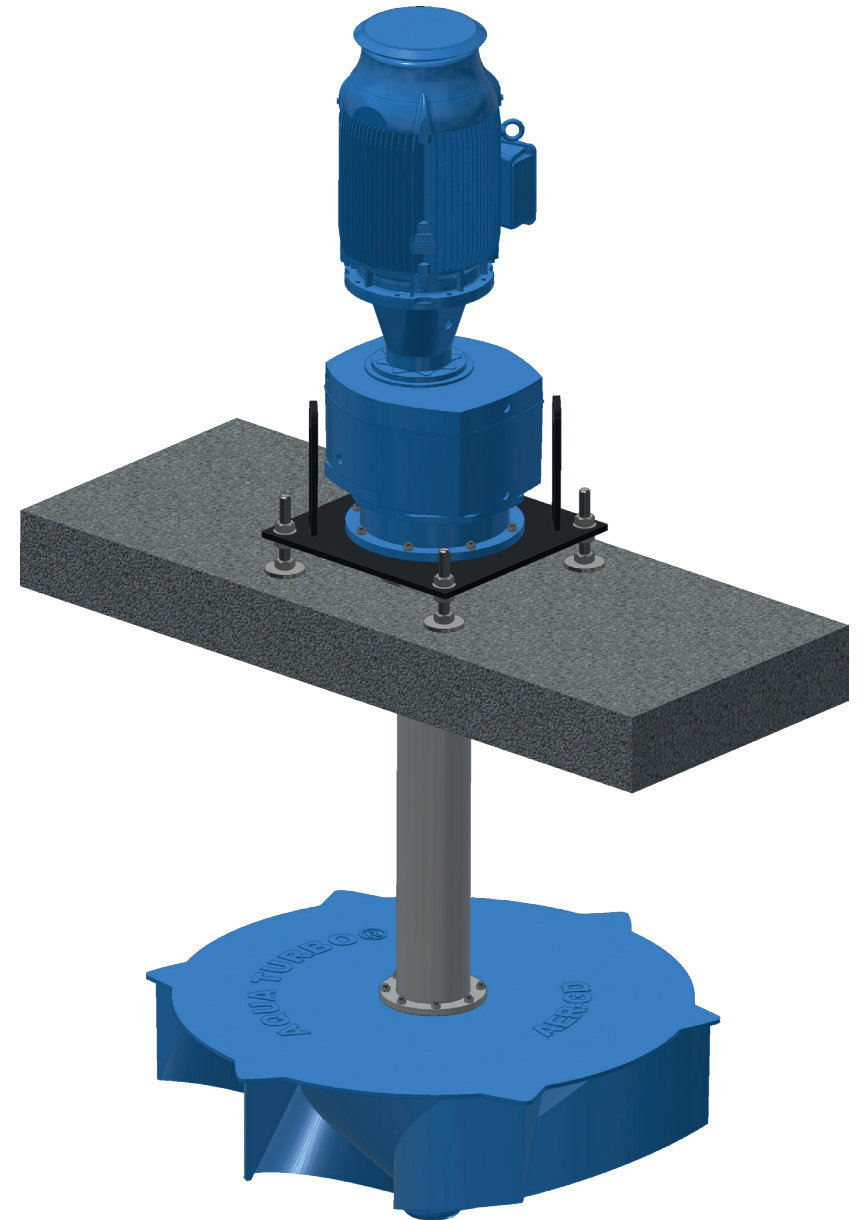
Aquaturbo

MAIN CHARACTERISTICS

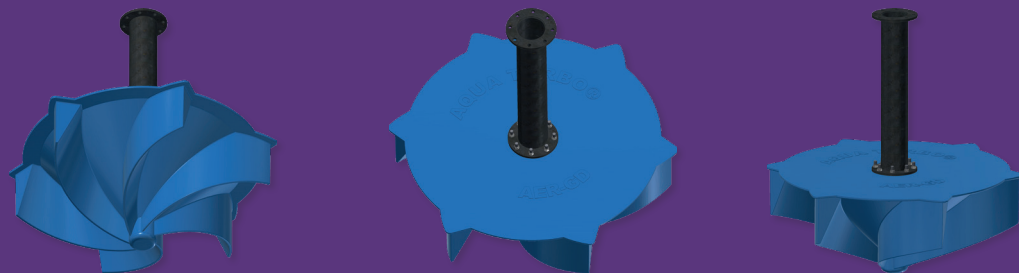
Specifically designed for fixed or Float mounting which allow impeller immersion to vary in accordance with flow levels and associated oxygen demand. Ideal for Oxidation Ditches and Pocket ASP's.



AER-GD With noise Cover



AER-GD 3D



ADVANTAGES

MAINTAINS AERATION EFFICIENCY AND CAN BE OPERATED AT VARIABLE SPEEDS

IDEAL FOR ACTIVATED-SLUDGE SYSTEMS WITH BAFFLES OR DRAFT TUBES FOR DEEP TANKS

AEROBIC DIGESTION PROCESSES

UNSCREENED PLANTS

HIGH OXYGEN TRANSFER

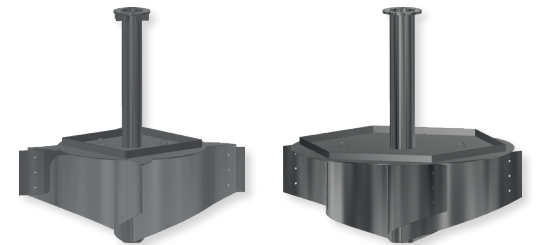
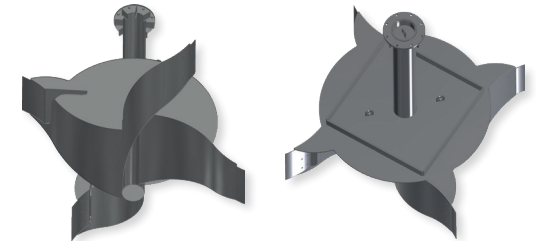
INTENSIVE MIXING

EASY ACCESS AND MAINTENANCE

ROBUST DESIGN

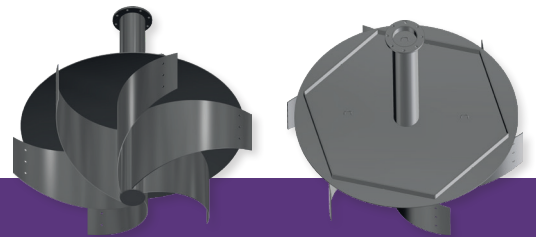
COMPONENTS

- 1.1 – 160KW Motor Sizes
- 40- 130rpm geared drives
- 4+6 Blade, LH + RH impellers
- Epoxy coated MS, SS or FRP impeller options



OPTIONS

- Four impeller options - 4-blade, to produce circulation in oxidation ditches, and 6-blade, for higher efficiency: LH or RH.
- Fixed bridge/platform mount or floating
- Vertical operation only
- One x Surface drive
- Fixed or minimal WL variation



A STEP AHEAD IN WATER TECHNOLOGY

sfa-enviro.com

 [@sfa_enviro](https://twitter.com/sfa_enviro)

