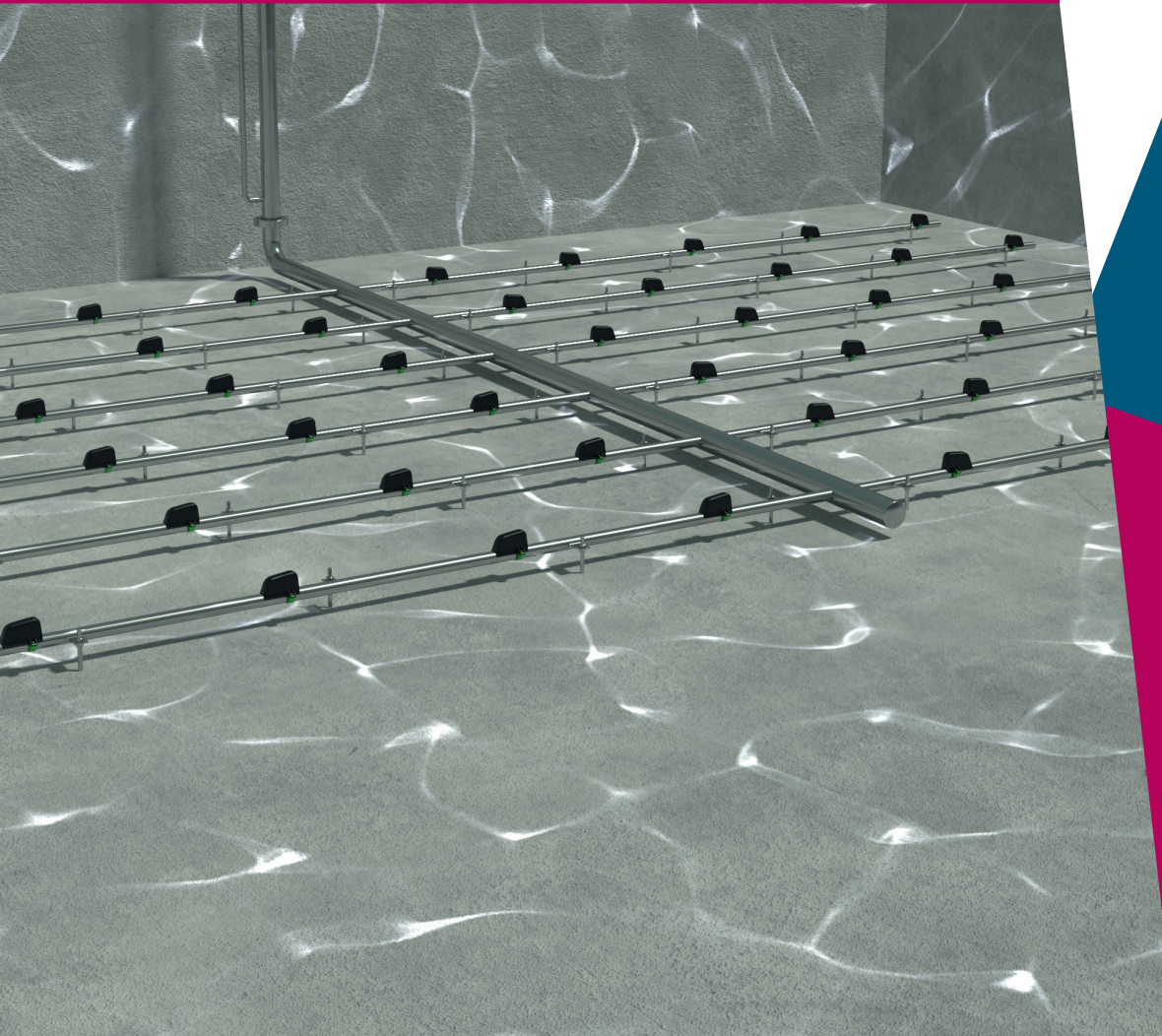


SUBMERSIBLE
AERATION

AIRCOMB[®]

AIR DIFFUSERS



SFA
enviro

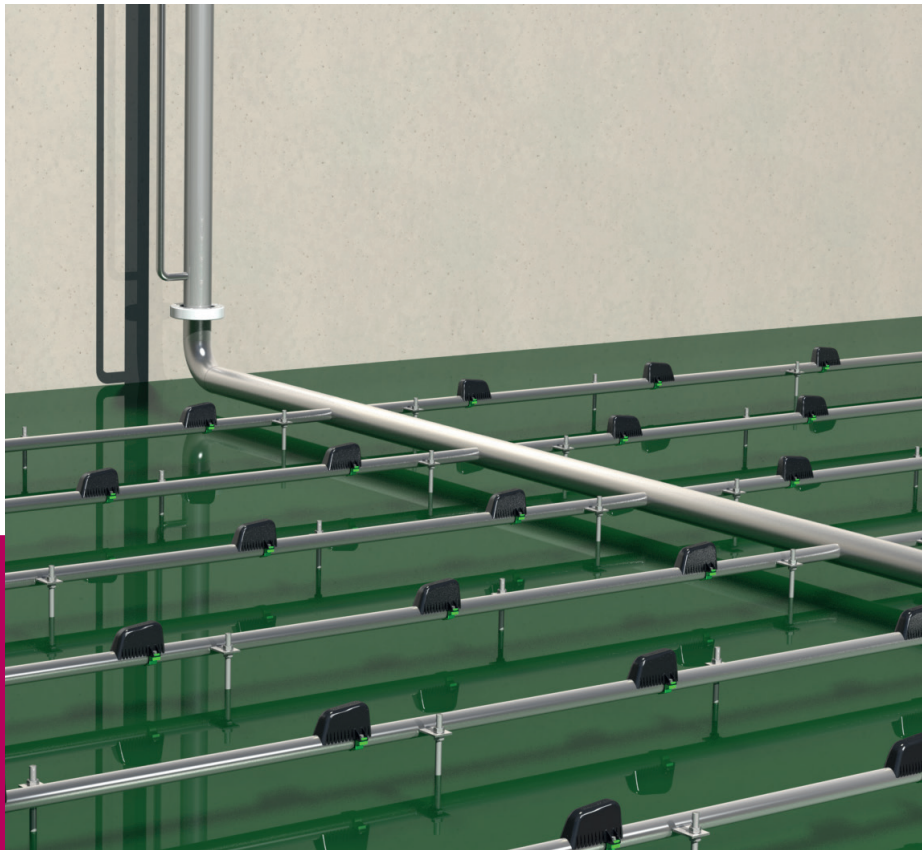
AERATION AND HIGH VELOCITY
MIXING OF WASTEWATER
BY AIR INJECTION - MEDIUM AIR
BUBBLE SIZE

Europelec

MAIN CHARACTERISTICS

Diffuser designed for many various operating conditions:

Ideal for Fibre Loaded Sludge, Effluents containing Grease, and Chemical Based wastewater etc.



ADVANTAGES

SHARK FIN SHAPE DIFFUSER DESIGN LIMIT THE ADHESION OF SOLID AND FIBROUS RESIDUES.

SELF-CLEANING ORIFICES WHOSE PROFILE PROVIDES THE FORMATION OF HOMOGENEOUS BUBBLES AND AVOIDS COALESCENCE OR BREAKDOWN

THE GEOMETRY OF THE SELF-CLEANING DIFFUSER OUTLETS GUARANTEES THE FORMATION OF HOMOGENEOUS BUBBLES REGARDLESS OF THE AIR FLOW RATES WITHIN THE OPERATING RANGE.

COMPATIBILITY WITH HIGH TEMPERATURES UP TO 110°C

DESIGN TO MINIMIZE CLOGGING OR BIOFOULING

HIGH CHEMICAL RESISTANCE

CORROSIVE RESISTANT MATERIAL OF CONSTRUCTION

EASY TO INSTALL

NO WEARING PARTS

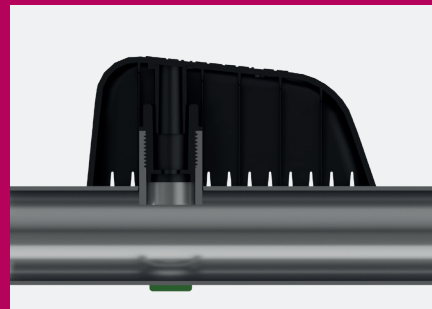
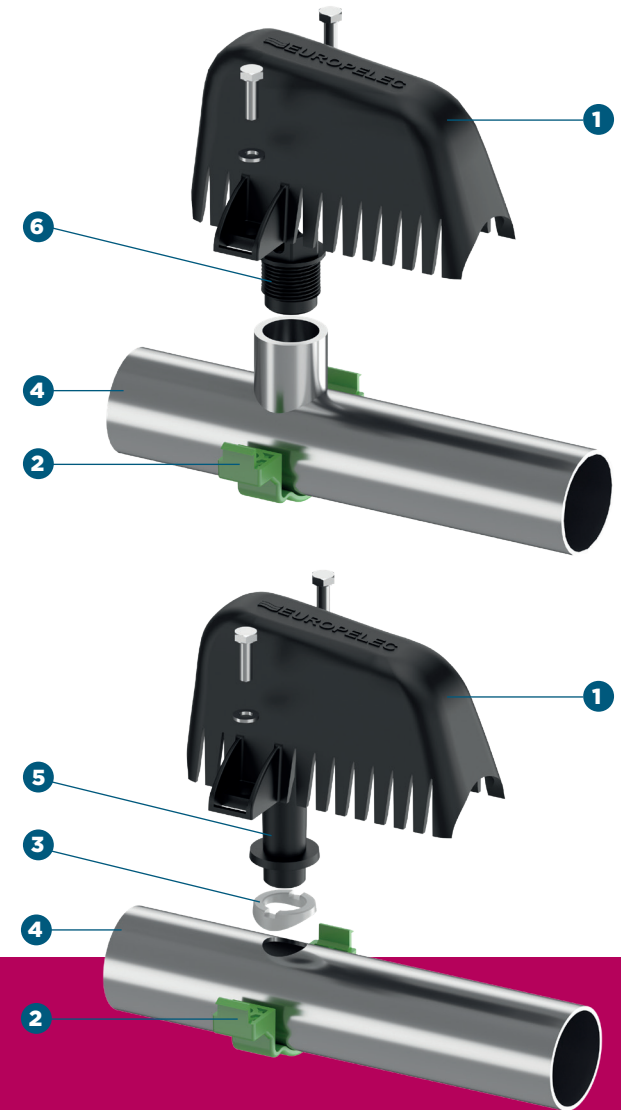
TOTALLY RECYCLABLE PRODUCT

COMPONENTS

- 1 Diffuser cover made of reinforced polypropylene
- 2 Polypropylene mounting collar with A4 screw fixing
- 3 Silicone gasket within the assembly

OPTIONS

- 4 Mounting on stainless steel pipe in DN40 or PVC
- 5 Mountings with smooth orifice/smooth air sleeve in polypropylene 30% glass fibre
- 6 Mountings with tapped orifice/Air sleeve for tapped outlet in polypropylene 30% glass fibre



A STEP AHEAD IN WATER TECHNOLOGY

sfa-enviro.com

 [@sfa_enviro](https://twitter.com/sfa_enviro)

 **SFA** GROUP

