



B.LV5

Biosensor array

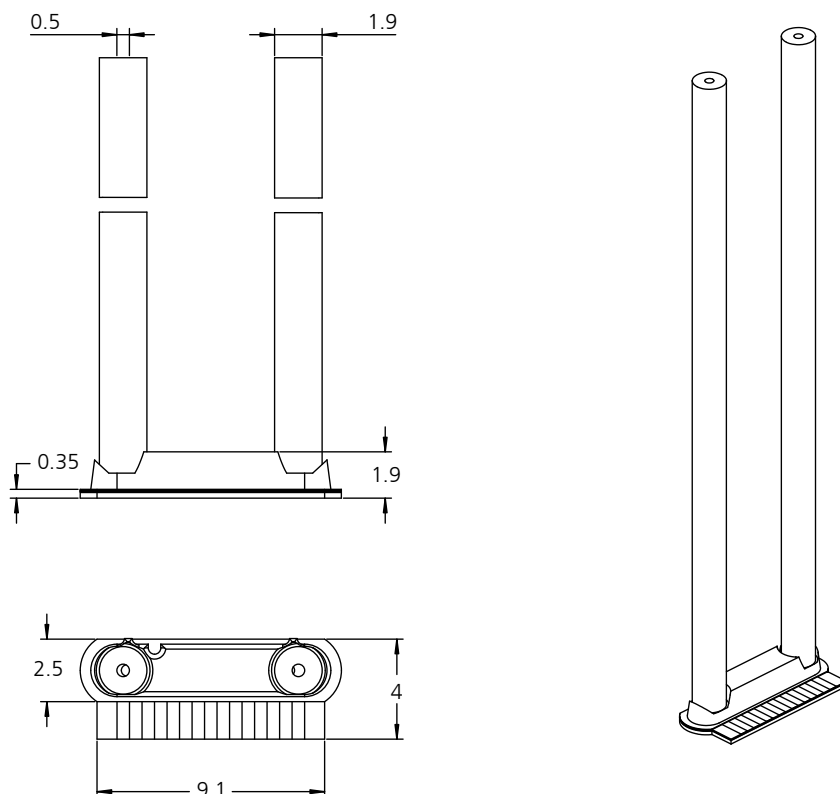
A flow-through sensor for bioanalytical applications A product of Jobst Technologies

Benefits & Characteristics

- Enzyme-based amperometric measurement
- Excellent long-term stability
- Stable in continuous monitoring and analyzer mode
- Reference, counter and blank electrodes on-chip
- Integrated flow cell (small inner volume)
- For industrial and research applications
- Suitable for multiparametric measurements
- Outstanding reliability
- Fast response time
- Gamma and beta sterilization compatible
- Suitable for flow-through applications

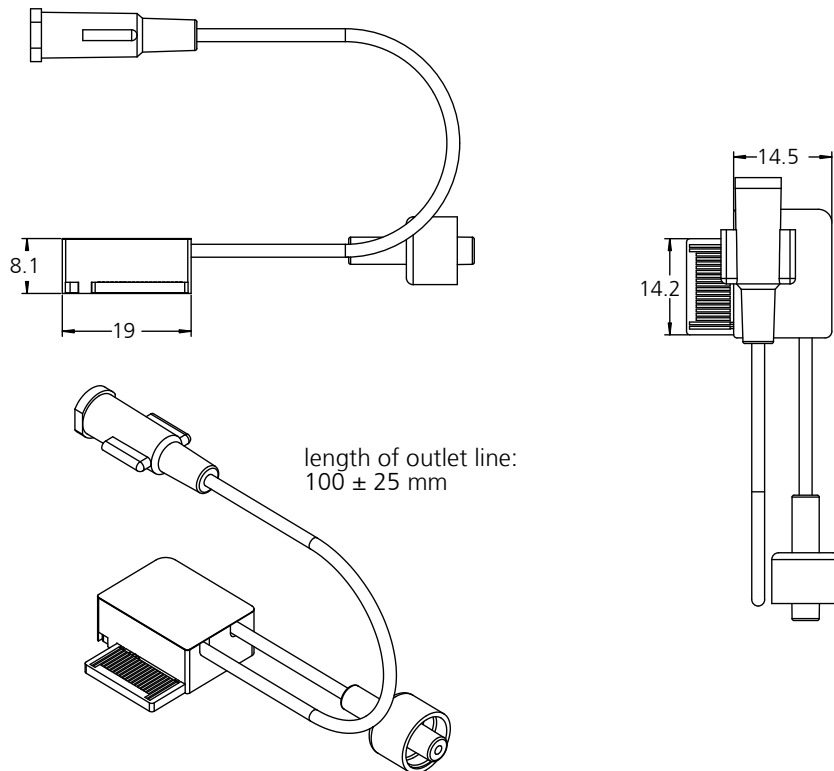
Illustration

B.LV5 sensor with tubes





B.LV5 sensor ruggedized (luer)



Technical Data

Dimensions:	see illustration above										
Measurement principle:	Enzymatic amperometric (oxydase enzymes and H ₂ O ₂ oxydation)										
Working electrode:	Platinum covered with enzyme membrane										
Blank electrode:	For background compensation										
Reference electrode:	Silver / silver chloride										
Counter electrode:	Platinum										
Measurable analytes:	Glucose, Lactate										
On request:	Glutamine, Glutamate, Pyruvate										
Operating measurement range at +37 °C	<table border="0"> <tr> <td>Glucose:</td> <td>0.05 mM to 25 mM</td> </tr> <tr> <td>Lactate:</td> <td>0.02 mM to 15 mM</td> </tr> <tr> <td>Glutamine:</td> <td>contact IST AG</td> </tr> <tr> <td>Glutamate:</td> <td>contact IST AG</td> </tr> <tr> <td>Pyruvate:</td> <td>contact IST AG</td> </tr> </table>	Glucose:	0.05 mM to 25 mM	Lactate:	0.02 mM to 15 mM	Glutamine:	contact IST AG	Glutamate:	contact IST AG	Pyruvate:	contact IST AG
Glucose:	0.05 mM to 25 mM										
Lactate:	0.02 mM to 15 mM										
Glutamine:	contact IST AG										
Glutamate:	contact IST AG										
Pyruvate:	contact IST AG										



	Note:	- measured in acetate buffer at 37 °C - contact IST AG for buffer composition - other measurement ranges on request
Sensitivity (typical):	Glucose	0.8 nA/mM
	Lactate:	2 nA/mM
	Note:	- measured in acetate buffer at 37 °C - contact IST AG for buffer composition - other measurement ranges on request - info on other analytes on request
Compatible sterilization method:	Irradiation (beta, gamma)	- recommended dose: < 25kGy - sensitivity increases with applied dose - lifetime decreases with applied dose Product is delivered not sterile Do not use organic solvents For more information contact IST AG
Time (t _{90%}) to first measurement:		~15 min at 37 °C in acetate buffer after storage
Time response (t _{90%}):		< 25 s at 37 °C in acetate buffer
Temperature influence:	Glucose:	~3.8 %/°C
	Lactate:	~3.2 %/°C
Storage conditions:		+4°C to 28°C, desiccated
Shelf life at recommended storage conditions		> 6 months (from delivery) > 2 years from fabrication
Operational life time:	Glucose:	> 60 days at 20 mM
	Lactate:	> 7 days at 8 mM
	Note:	- measured in acetate buffer at 37°C - life time may vary in other buffer systems
Operating temperature:		15 °C - 42 °C
pH Range:		6 - 8
Drift at 37°C:		< 5 %/day
Suitable media:	Bicarbonate, acetate, imidazole buffers	- to be used in buffered media only - buffer must contain chloride, [Cl ⁻] ca. 110 mM - not suitable for direct use in tap water or DI-water - for information on buffer systems please contact IST AG
Flow cell internal volume:		approx. 1 µl (other volumes available on request)
Tubing inner diameter:		0.5 mm 0.15 mm available on request
Fluidic connection:	Inlet:	male luer lock (only with 0.5-mm tubing)
	Outlet:	female luer lock (only with 0.5-mm tubing)
	Minimal:	0.3 µl/min
	Maximal:	10 ml/min
	Recommended:	> 30 µl/min
	Pressure drop:	~ 33 mbar/(ml/min)
	Note:	measured with a 1 µl flow cell and 0.5-mm tubing with luer locks



Electrical connection:

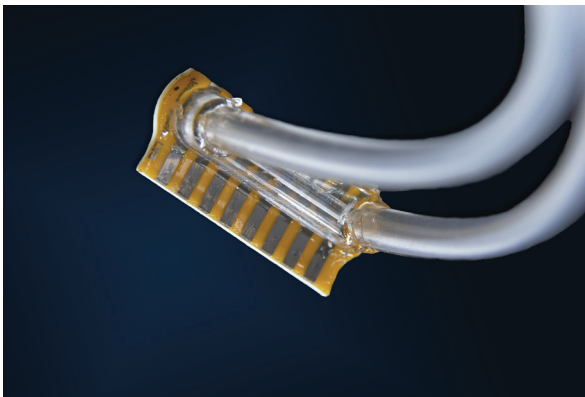
B.LV5 Sensor (FPC)
flex-print circuit, 8 pins, 1 mm pitch, 0.3 mm thickness, compatible with FFC/FPC ZIF connectors

B.LV5 Sensor ruggedized (ECC)
edge-card connector, 40 pins in two rows (only 8 are used), 0.635 mm pitch, 1.6 mm thickness, compatible with MEC6-RA socket

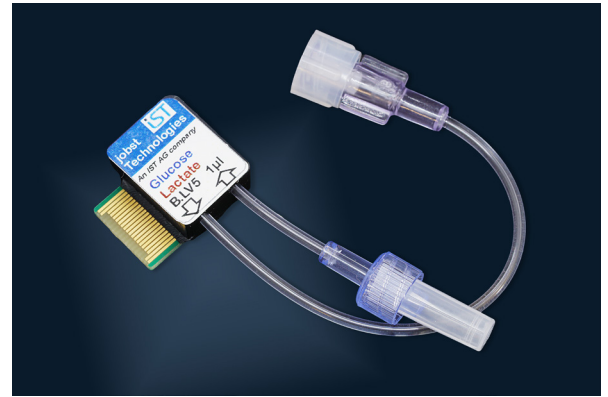
General note: Performance data in this document was determined in acetate buffer at 37 °C, pH 7 and normal atmospheric conditions.

Product Photos

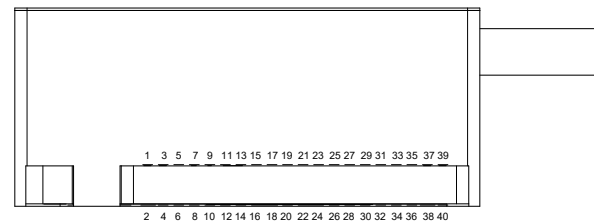
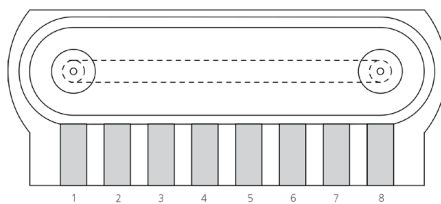
B.LV5 sensor with tubes



B.LV5 sensor ruggedized (luer)



Pin Assignment



Electrode	B.LV5 Sensor	B.LV5 Sensor ruggedized (luer)
Blank 1	8	26
Glucose1	7	22
Lactate 1	6	28
Blank 2	5	20
Glucose 2	4	16
Lactate 2	3	14
Reference	2	11
Counter	1	7



Order Information

Construction	B.LV5 sensor with tubes (0.5 mm)	B.LV5 sensor ruggedized (0.5 mm luer)	On request
Measured analytes	Glucose, Lactate	Glucose, Lactate	other analytes
Measurement range	standard	standard	other ranges
Reference	B.LV5.GL.C010.ST.050.FPC	B.LV5.GL.C010.ST.L050.ECC.R	on request
Order code	105117	105128	on request
Former order code	390.00148	390.00154	

Disclaimer

Evaluation product for professionals to be used solely for research and development purposes! Not for medical and diagnostic use. Not to be used on humans. For more information contact IST AG.



Innovative Sensor Technology IST AG, Stegrütistrasse 14, 9642 Ebnat-Kappel, Switzerland
Phone: +41 71 992 01 00 | Fax: +41 71 992 01 99 | Email: info@ist-ag.com | www.ist-ag.com

All mechanical dimensions are valid at 25 °C ambient temperature, if not differently indicated • All data except the mechanical dimensions only have information purposes and are not to be understood as assured characteristics • Technical changes without previous announcement as well as mistakes reserved • The information on this data sheet was examined carefully and will be accepted as correct; No liability in case of mistakes • Load with extreme values during a longer period can affect the reliability • The material contained herein may not be reproduced, adapted, merged, translated, stored, or used without the prior written consent of the copyright owner • Typing errors and mistakes reserved • Product specifications are subject to change without notice • All rights reserved