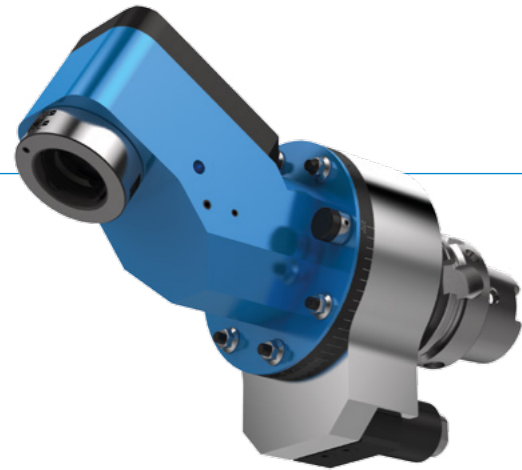


# ANGLE HEAD FIX WFX

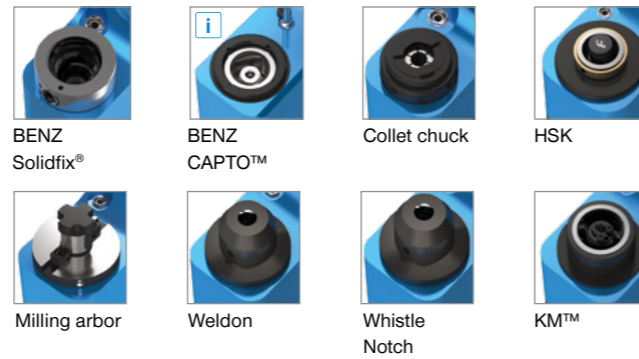
## MODULAR DESIGN



### ANGLE HEAD BODY (SIZE)

05 07 15 20

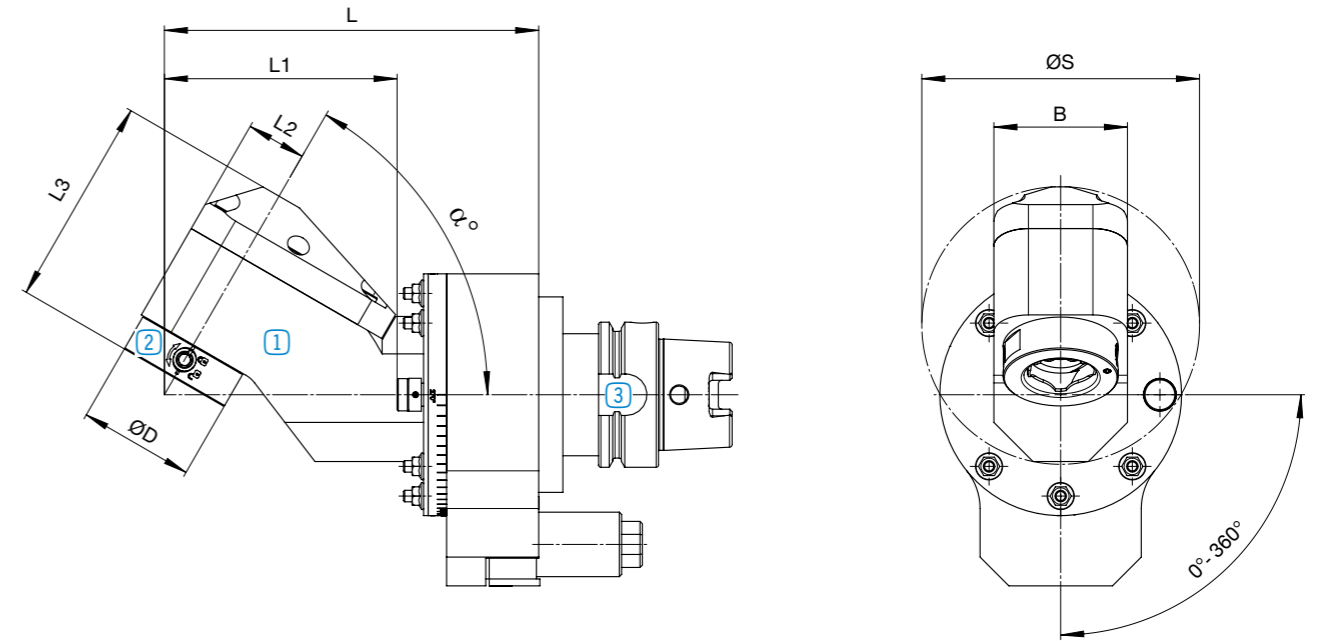
### OUTPUT SPINDLE / CLAMPING SYSTEM



### DRIVE CONE



### Angle head with IC



1 Angle head body page 58



2 Output spindle / clamping system page 60



3 Drive cone page 62

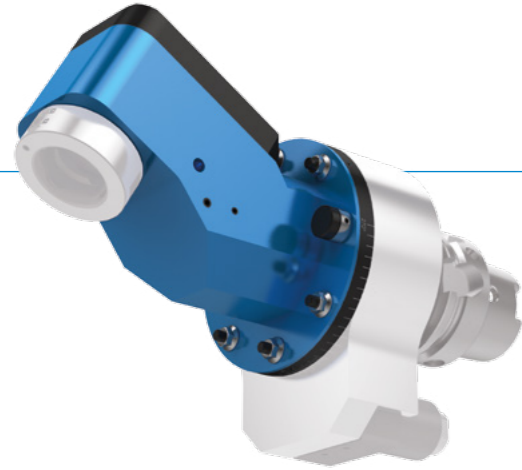
### Specifications

Change the angle head	Machining	Number of output spindles	Axis angle	Coolant feed for cutting edge

Other dimensions for angle heads with BENZ CAPTO™ output spindle. Dimensions available on request.

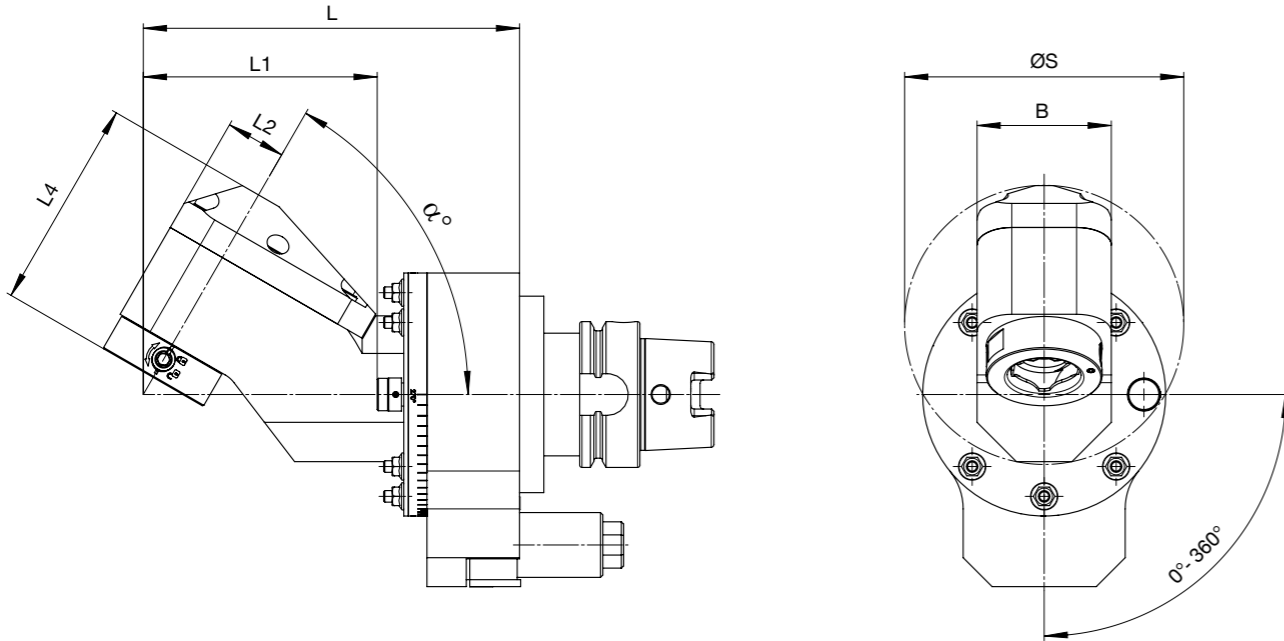
# ANGLE HEAD FIX WFX

## ▶ ANGLE HEAD BODY (SIZE)



**i** More sizes on request.  
Higher speeds are possible as an option.

## ▶ Angle head with IC



### Size 05

$M_{max}$  = 30 Nm  
 $i$  = 1:1  
 $n_{max}$  = 8,000 rpm  
 $p_{max}$  = 100 bar

#### ▶ Technical data

$\alpha$ [°]	L1 [mm]	L2 [mm]	L4* [mm]	B [mm]	$\varnothing S$ [mm]	L** [mm]	EC	IC	EC+IC	Weight [kg]
0°-120°	138	26	91	54	approx. 108	approx. 200	- / ✓	- / ✓	✓	4

### Size 07

$M_{max}$  = 70 Nm  
 $i$  = 1:1  
 $n_{max}$  = 6,000 rpm  
 $p_{max}$  = 100 bar

#### ▶ Technical data

$\alpha$ [°]	L1 [mm]	L2 [mm]	L4* [mm]	B [mm]	$\varnothing S$ [mm]	L** [mm]	EC	IC	EC+IC	Weight [kg]
0°-120°	163	35	108	80	approx. 141	approx. 225	- / ✓	- / ✓	✓	9.5

### Size 15

$M_{max}$  = 150 Nm  
 $i$  = 1:1  
 $n_{max}$  = 4,000 rpm  
 $p_{max}$  = 100 bar

#### ▶ Technical data

$\alpha$ [°]	L1 [mm]	L2 [mm]	L4* [mm]	B [mm]	$\varnothing S$ [mm]	L** [mm]	EC	IC	EC+IC	Weight [kg]
0°-120°	165	40	125	92	approx. 170	approx. 235	- / ✓	- / ✓	✓	13

### Size 20

$M_{max}$  = 230 Nm  
 $i$  = 1:1  
 $n_{max}$  = 3,000 rpm  
 $p_{max}$  = 100 bar

#### ▶ Technical data

$\alpha$ [°]	L1 [mm]	L2 [mm]	L4* [mm]	B [mm]	$\varnothing S$ [mm]	L** [mm]	EC	IC	EC+IC	Weight [kg]
0°-120°	180	40	125	100	approx. 182	approx. 250	- / ✓	- / ✓	✓	16

**i** \*Value refers to an angle head with BENZ Solidfix® output spindle  
\*\* depending on angle  $\alpha$

# ANGLE HEAD FIX WFX

## ▶ OUTPUT SPINDLE / CLAMPING SYSTEM



**i** Technical data for other output spindles / clamping systems on request:



Weldon

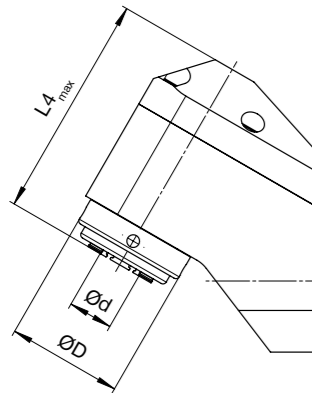


Whistle  
Notch



KM™

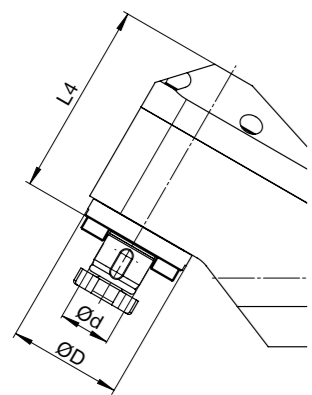
**i** We show you **preferable sizes** in the following tables. Smaller output spindles are possible at any time as an option.



Collet chuck

### ▶ Technical data

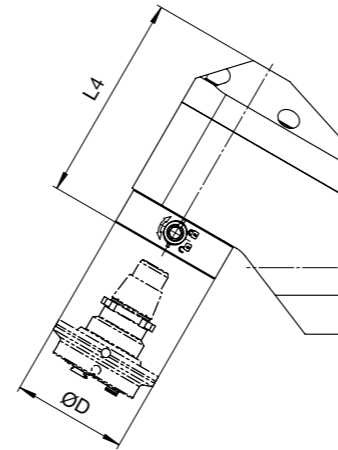
	Size	L4 <sub>max</sub> [mm]	ØD [mm]	Ød <sub>max</sub> [mm]
<b>ER25A</b>	05	91	47	16
<b>ER32A</b>	07	106	55	20
<b>ER40A</b>	15	125	70	30
<b>ER40A</b>	20	125	70	30



Milling arbor

### ▶ Technical data

	Size	L4 [mm]	ØD [mm]	Ød [mm]
<b>22</b>	05	83	48	22
<b>27</b>	07	98	60	27
<b>32</b>	15	122	75	32
<b>40</b>	15	125	90	40
<b>40</b>	20	129	90	40



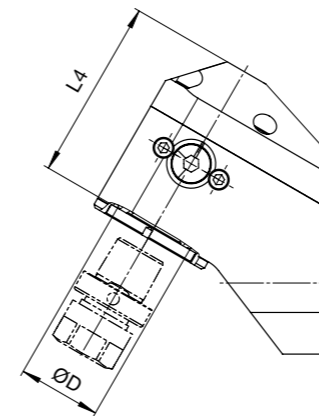
**i** For adapters and dimensions, see catalogue [BENZ Modular Tool Systems](#)



**BENZ Solidfix®**

### ▶ Technical data

	Size	L4 [mm]	ØD [mm]
<b>S3</b>	05	91	50
<b>S4</b>	07	108	63
<b>S5</b>	15	125	75
<b>S5</b>	20	128	75



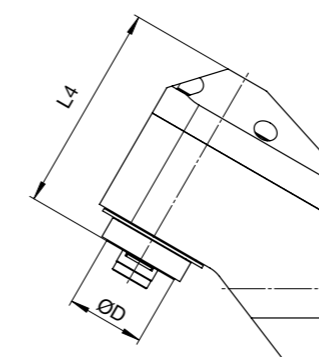
**i** For adapters and dimensions, see catalogue [BENZ Modular Tool Systems](#)



**BENZ CAPTO™**

### ▶ Technical data

	Size	L4 [mm]	ØD [mm]
<b>C3</b>	05	100	32
<b>C4</b>	07	108	40
<b>C5</b>	15	129	50
<b>C6</b>	20	148	63



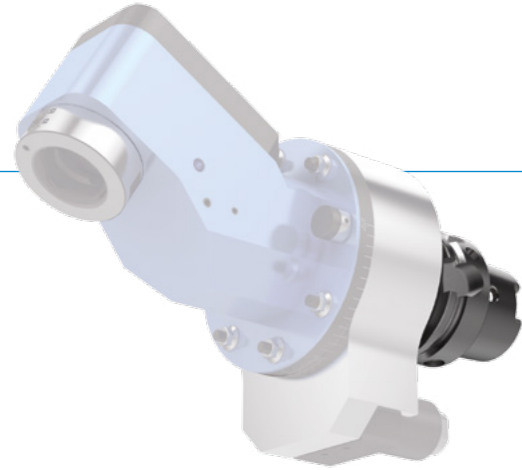
**HSK**

### ▶ Technical data

	Size	L4 [mm]	ØD [mm]
<b>HSK 32</b>	05	85	32
<b>HSK 40</b>	07	101	40
<b>HSK 50</b>	15	124	50
<b>HSK 63</b>	15	131	63
<b>HSK 63</b>	20	129	63

# ANGLE HEAD FIX WFX

## DRIVE CONE



**i** Technical data for other machine interfaces on request.

### Type: Steep taper



	Size			
	05	07	15	20
<b>SK</b> DIN 69871				
<b>SK 40</b>	✓	✓	-	-
<b>SK 50</b>	✓	✓	✓	✓



	Size			
	05	07	15	20
<b>MAS BT</b>				
<b>BT 40</b>	✓	✓	-	-
<b>BT 50</b>	✓	✓	✓	✓



	Size			
	05	07	15	20
<b>CAT</b>				
<b>CAT 40</b>	✓	✓	-	-
<b>CAT 50</b>	✓	✓	✓	✓

### Type: Hollow shank taper



	Size			
	05	07	15	20
<b>HSK</b> DIN 69893				
<b>HSK 40</b>	-	-	-	-
<b>HSK 50</b>	✓	-	-	-
<b>HSK 63</b>	✓	✓	-	-
<b>HSK 80</b>	✓	✓	✓	✓
<b>HSK 100</b>	✓	✓	✓	✓



	Size			
	05	07	15	20
<b>Coromant Capto®</b>				
<b>C3</b>	-	-	-	-
<b>C4</b>	✓	-	-	-
<b>C5</b>	✓	✓	✓	✓
<b>C6</b>	✓	✓	✓	✓
<b>C8</b>	✓	✓	✓	✓



	Size			
	05	07	15	20
<b>Kennametal™</b>				
<b>KM 40</b>	-	-	-	-
<b>KM 50</b>	✓	-	-	-
<b>KM 63</b>	✓	✓	-	-
<b>KM 80</b>	✓	✓	✓	✓
<b>KM 100</b>	✓	✓	✓	✓