

REV	MODIFICATION	DATE	DRAW

SECT: x-x'
SCALE 15:1

No. of Contacts	DIM. A	DIM. B	DIM. C	DIM. D	DIM. E
09	4.9	1.8	2.4	3.03	4.35
11	5.5	2.4	3.0	3.63	4.95
13	6.1	3.0	3.6	4.23	5.55
15	6.7	3.6	4.2	4.83	6.15
17	7.3	4.2	4.8	5.43	6.75
19	7.9	4.8	5.4	6.03	7.35
21	8.5	5.4	6.0	6.63	7.95
23	9.1	6.0	6.6	7.23	8.55
25	9.7	6.6	7.2	7.83	9.15
27	10.3	7.2	7.8	8.43	9.75
29	10.9	7.8	8.4	9.03	10.35



NOTE:
 MATERIAL:
 HOUSING:LCP(UL 94V-0)
 ACTUATOR:LCP(UL 94V-0)
 TERMINAL:PHOSPHOR BRONZE
 STOPPER:PHOSPHOR BRONZE
 PLATING:
 TERMINAL:SEE ORDERING INFORMATION
 STOPPER:TIN OVER NICKEL(LEAD FREE)
 RATING:
 OPERATING VOLTAGE:30Vrms AC/DC
 CURRENT RATING:0.2A
 OPERATING TEMPERATURE:-55°C ~ +85°C

ORDERING INFORMATION
 FPCT8-Z xx 01 D3 10

No of Contacts ——— BACK-FLIP TYPE
 01:GOLD FLASH R/A (Dual contact)
 1u~3u*(Nickel Barrier) PACKAGE TA-EMBOSSSED

DIMENSION IN mm [Inch]		PROD. SPEC.	KINGFONT KINGFONT PRECISION INDUSTRIAL CO., LTD.	
TOLERANCE UNLESS OTHERWISE SPECIFIED		PKG. SPEC.	TITLE 0.3mm Pitch FPC Conn. (H=1.0)	CUSTOMER DRAWING
.X±	X.*±	APPROVE <i>Gumy</i>	FILE NO.	DWG NO. FPCT8-Zxx01D310
.XX±	X.*±	CHECK <i>Momy</i>	SIZE A4	PROJ. SHEET 1 / 6
.XXX±	XX.*±	DRAW <i>Momy</i>	SCALE 10:1	REV A

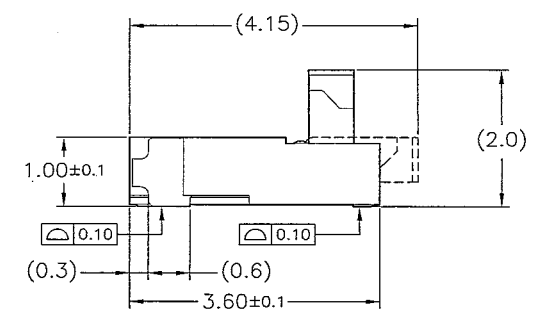
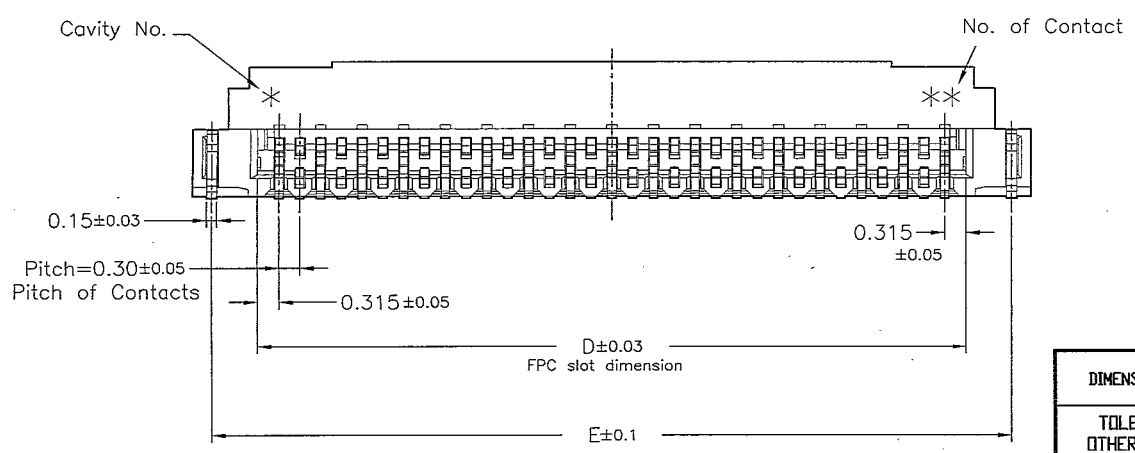
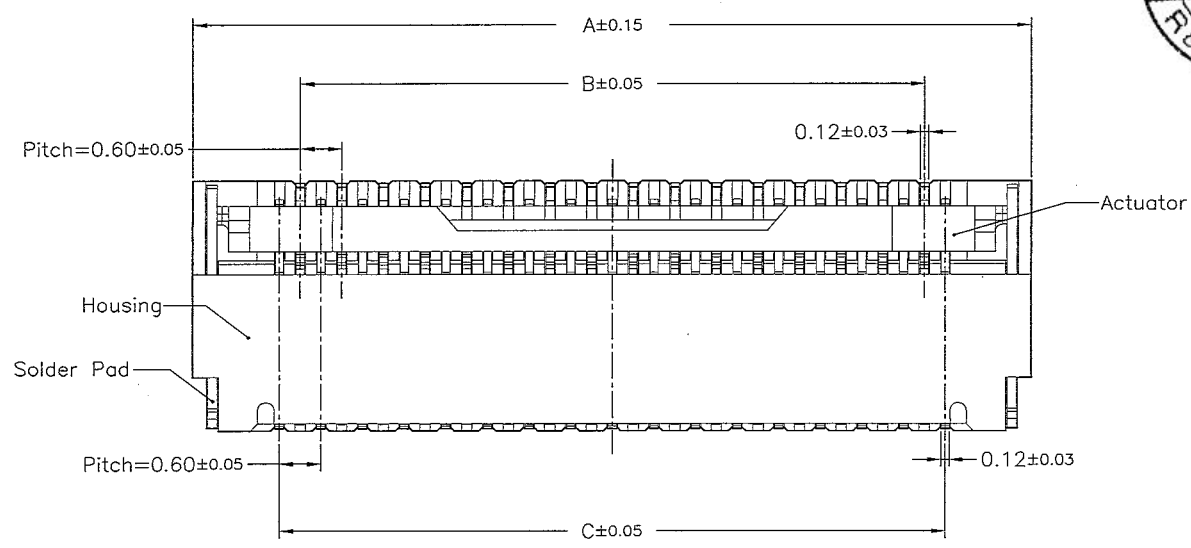
1 2 3 4 5 6 7 8

F
E
D
C
B
A



REV	MODIFICATION	DATE	DRAW

No. of Contacts	DIM. A	DIM. B	DIM. C	DIM. D	DIM. E
31	11.5	8.4	9.0	9.63	10.95
33	12.1	9.0	9.6	10.23	11.55
35	12.7	9.6	10.2	10.83	12.15
37	13.3	10.2	10.8	11.43	12.75
39	13.9	10.8	11.4	12.03	13.35
41	14.5	11.4	12.0	12.63	13.95
43	15.1	12.0	12.6	13.23	14.55
45	15.7	12.6	13.2	13.83	15.15
49	16.9	13.8	14.4	15.03	16.35
51	17.5	14.4	15.0	15.63	16.95
57	19.3	16.2	16.8	17.43	18.75
61	20.5	17.4	18.0	18.63	19.95
67	22.3	19.2	19.8	20.43	21.75
71	23.5	20.4	21.0	21.63	22.95

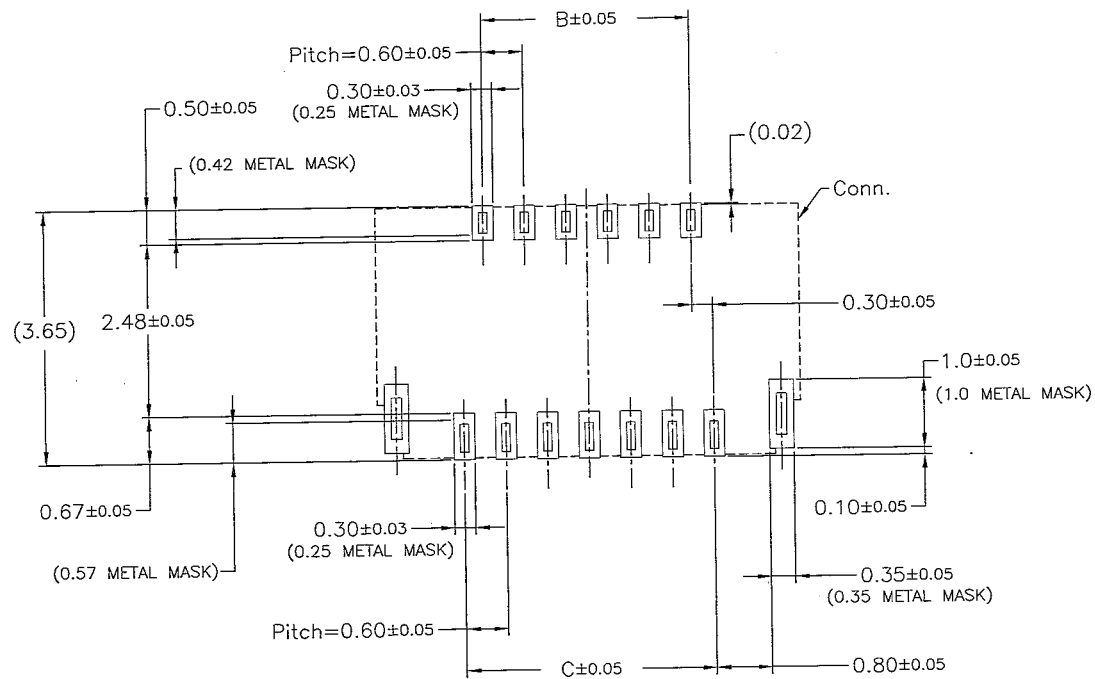


DIMENSION IN mm [Inch]		PRIM. SPEC.	KINGFONT PRECISION INDUSTRIAL CO., LTD.	
TOLERANCE UNLESS OTHERWISE SPECIFIED		PKG. SPEC.	TITLE	CUSTOMER DRAWING
.X±	X.*±	APPROVE <i>Gunn</i>	0.3mm Pitch FPC Conn. (H=1.0)	
.XX±	.X.*±	CHECK <i>Nguyen</i>	FILE NO.	DWG NO. FPCT8-Zxx01D310
.XXX±	.XX.*±	DRAW <i>Nguyen</i>	SIZE A4	PROJ. SHEET 2/6
			SCALE 10:1	REV A

1 2 3 4 5 6 7 8 QR-2100-043

Recommended metal mask pattern(thickness 0.1mm)

REV	MODIFICATION	DATE	DRAW



↑
FPC/FFC INSERT DIRECTION

PCB Layout

No. of Contacts	DIM. B	DIM. C
09	1.8	2.4
11	2.4	3.0
13	3.0	3.6
15	3.6	4.2
17	4.2	4.8
19	4.8	5.4
21	5.4	6.0
23	6.0	6.6
25	6.6	7.2
27	7.2	7.8
29	7.8	8.4
31	8.4	9.0
33	9.0	9.6
35	9.6	10.2
37	10.2	10.8
39	10.8	11.4
41	11.4	12.0
43	12.0	12.6
45	12.6	13.2
49	13.8	14.4
51	14.4	15.0
57	16.2	16.8
61	17.4	18.0
67	19.2	19.8
71	20.4	21.0



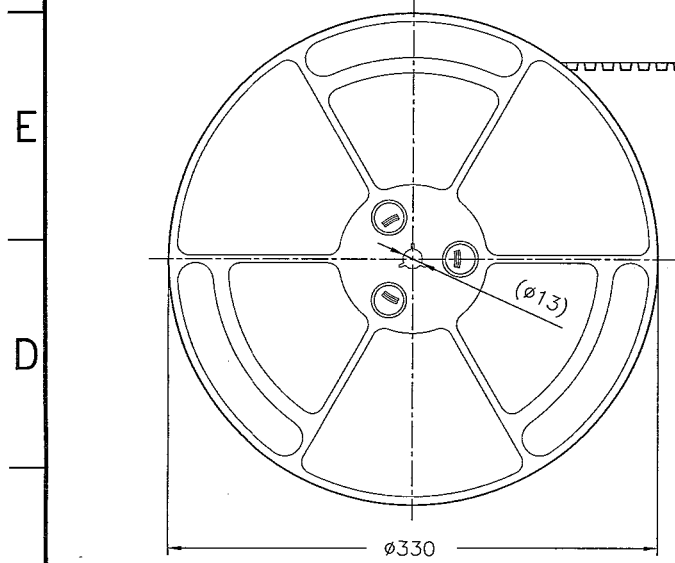
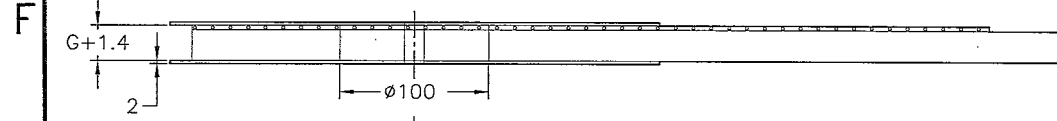
DIMENSION IN mm [Inch]		PREL. SPEC.	KINGFONT PRECISION INDUSTRIAL CO., LTD.	
TOLERANCE UNLESS OTHERWISE SPECIFIED		PKG. SPEC.	TITLE	CUSTOMER DRAWING
.X±	X.*±	APPROVE <i>Com</i>	0.3mm Pitch FPC Conn. (H=1.0)	
.XX±	.X.*±	CHECK <i>Ng</i>	FILE NO.	DWG NO. FPCT8-Zxx01D310
.XXX±	.XX.*±	DRAW <i>Ng</i>	SIZE A4	PROJ. SHEET 3/6
			SCALE 10:1	REV A

EMBOSSED TAPE PACKING

REV	MODIFICATION	DATE	DRAW

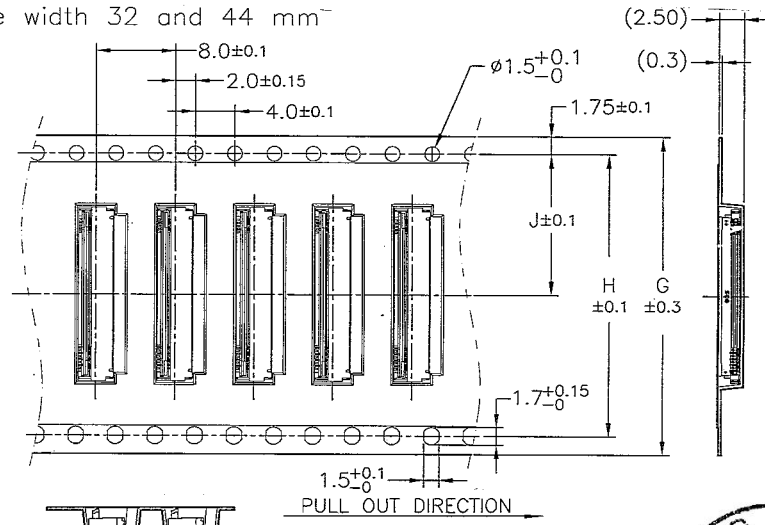
Note:

- 5.10 sprocket hole pitch cumulative tolerance
- 6. Carrier camber is within 1 mm in 250mm.±0.2mm
- 7. Material : Black Conductive Polystyrene Alloy.
- 8. All dimensions meet EIA-481-C requirements.
- 9. Thickness : 0.3±0.05mm.
- 10. Component load per 13" reel : 3500 pcs

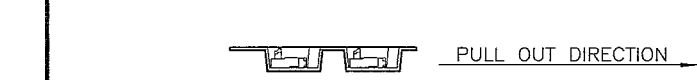
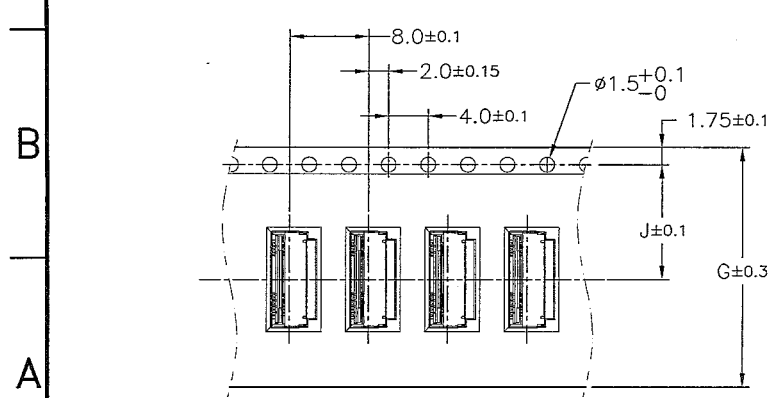


PULL OUT DIRECTION

Tape width 32 and 44 mm



Tape width 12, 16 and 24 mm



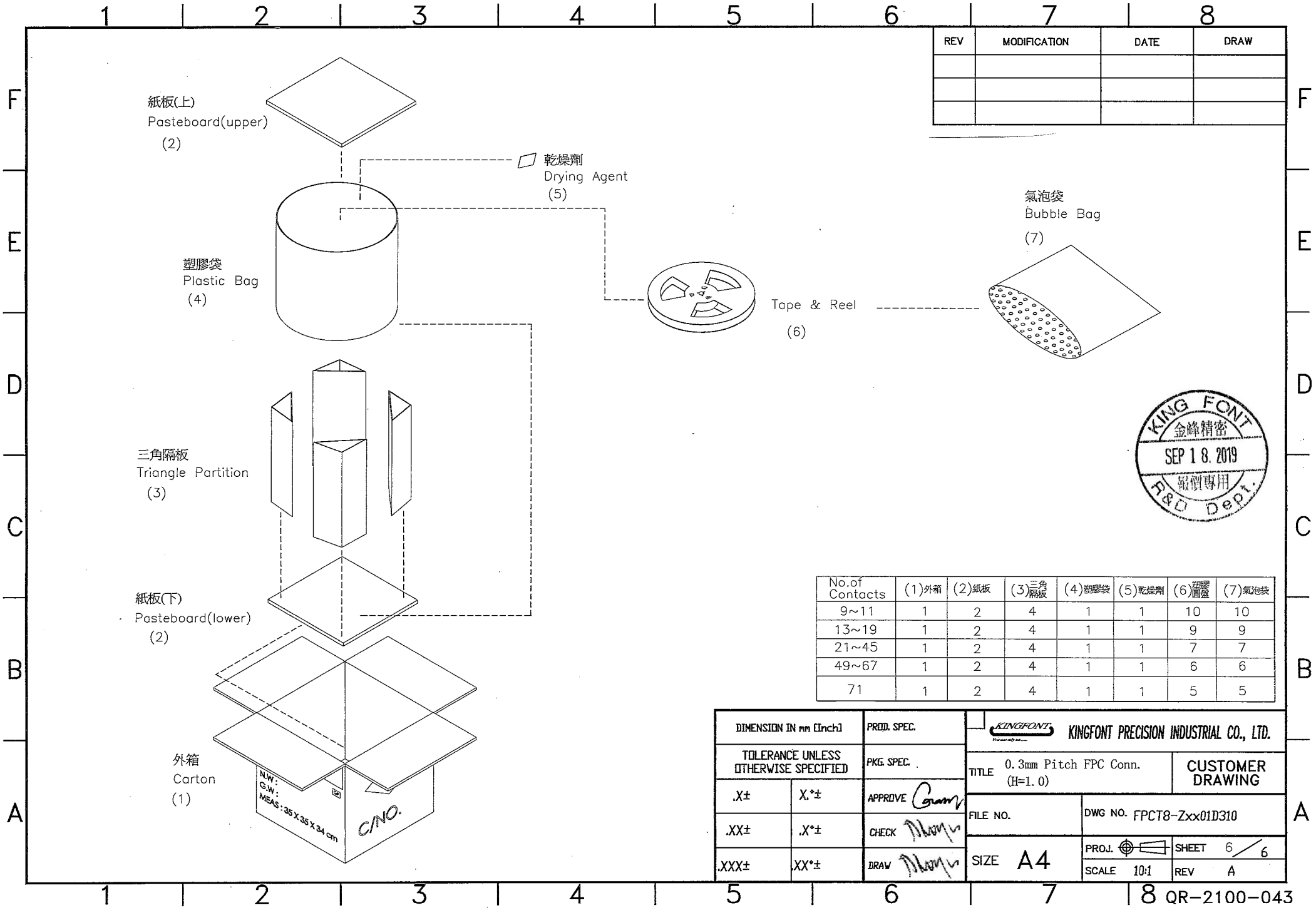
PULL OUT DIRECTION

No. of Contacts	DIM. G	DIM. H	DIM. J
09	12	—	5.5
11			
13	16	—	7.5
19			
21	24	—	11.5
45			
49	32	28.4	14.2
51			
57	32	28.4	14.2
67			
71	44	40.4	20.2



DIMENSION IN mm (Inch)		PRD. SPEC.
TOLERANCE UNLESS OTHERWISE SPECIFIED		PKG. SPEC.
.X±	X.*±	APPROVE <i>Guang</i>
.XX±	.X.*±	CHECK <i>Nguyen</i>
.XXX±	XX.*±	DRAW <i>Nguyen</i>

KINGFONT PRECISION INDUSTRIAL CO., LTD.		
TITLE 0.3mm Pitch FPC Conn. (H=1.0)		CUSTOMER DRAWING
FILE NO.	DWG NO. FPCT8-Zxx01D310	
SIZE A4	PROJ.	SHEET 5/6
SCALE 10:1	REV A	



REV	MODIFICATION	DATE	DRAW

No. of Contacts	(1) 外箱	(2) 紙板	(3) 三角隔板	(4) 塑膠袋	(5) 乾燥劑	(6) 膠帶	(7) 氣泡袋
9~11	1	2	4	1	1	10	10
13~19	1	2	4	1	1	9	9
21~45	1	2	4	1	1	7	7
49~67	1	2	4	1	1	6	6
71	1	2	4	1	1	5	5

DIMENSION IN mm [Inch]		PROD. SPEC.	KINGFONT PRECISION INDUSTRIAL CO., LTD.	
TOLERANCE UNLESS OTHERWISE SPECIFIED		PKG. SPEC.	0.3mm Pitch FPC Conn. (H=1.0)	
.X±	X.*±	APPROVE <i>Gray</i>	CUSTOMER DRAWING	
.XX±	.X.*±	CHECK <i>May</i>	FILE NO.	DWG NO. FPCT8-Zxx01D310
.XXX±	.XX.*±	DRAW <i>May</i>	SIZE A4	PROJ. SHEET 6/6
			SCALE 10:1	REV A

