

Info

1 Quarter turns

2 Rod controls

3 Locking systems

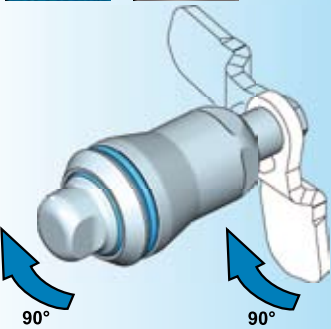
4 Hinges

5 Gasketing

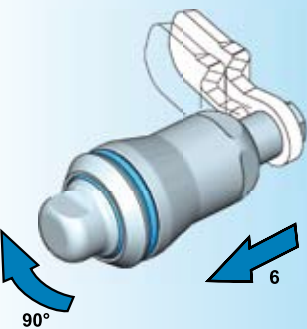
6 Handles

7 Aluminium windows

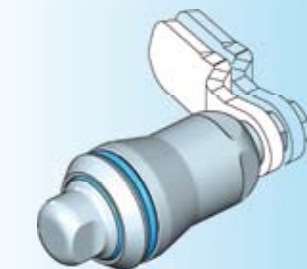
8 Stainless steel



Open
By turning the insert by 90°, the cam is turned.



Closed
By turning the insert another 90°, the cam is moved 6 mm in axial direction.



Compressed

Open:
Reversed movement

Further articles see page
– Cam with or without catch
8A-320

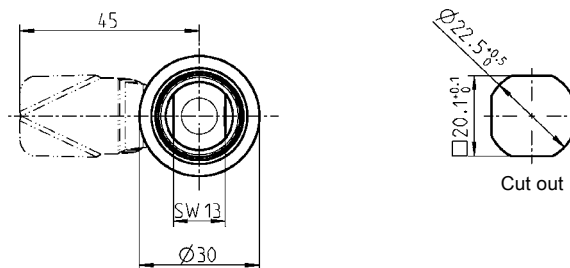
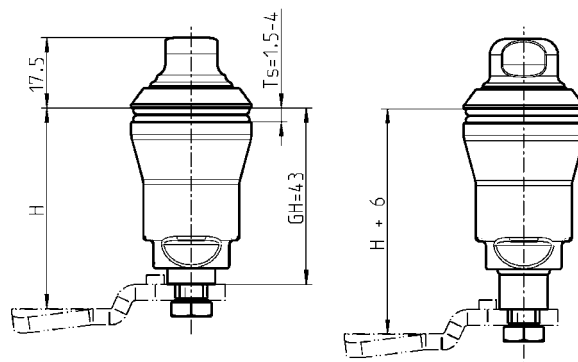
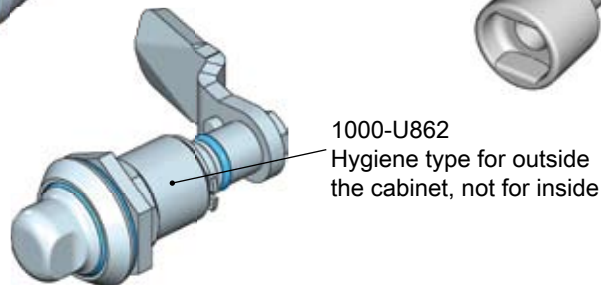
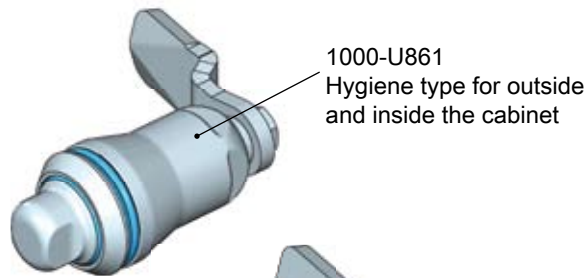


The quarter turn for hygienic areas meets the hygiene requirement acc. to DIN EN 1672-2 and DIN EN 14159

This item is completely IP65, not only from outside to inside

Tamper and vibration proof

The compression latch is vibration proof as such. Depending on the installation location and the application conditions specific checks and / or supplementary measures for fixing are required.



Compression latch for hygienic areas AISI 316L; with spring and seal

Hygiene type for outside and inside the cabinet 1000-U861

Hygiene type for outside the cabinet, not for inside 1000-U862

Key zinc die raw

1004-53