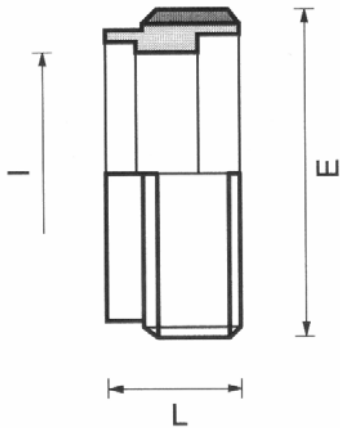


# RACCORDERIA MACON

## MACON SERIAL

### BOCCHETTONE FEMMINA A SALDARE

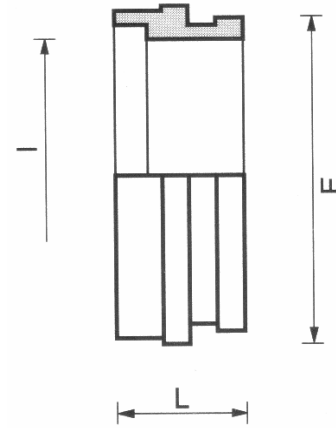
WELDING FEMALE CONNECTOR



DN	E	I	L
40	54x3	40	22
50	66x3	50	22
60	78x3.5	60	22
70	89x3.5	70	22
80	109x4	80	22
100	124x4	100	22

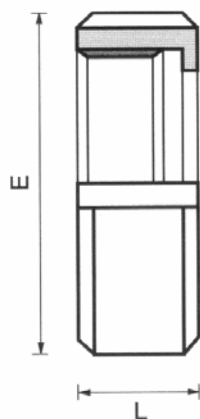
### BOCCHETTONE MASCHIO A SALDARE

WELDING MALE CONNECTOR



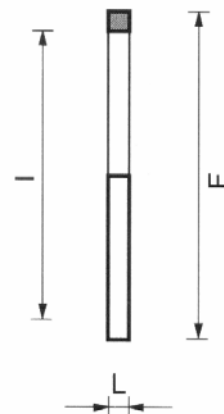
DN	E	I	L
40	50.5	40	19
50	62.5	50	19
60	73.5	60	19
70	85	70	19
80	96	80	19
100	118	100	19

### GIRELLA NUT



DN	E	L
40	70	24
50	80	24
60	99	24
70	105	24
80	116	24
100	140	24

### GUARNIZIONE IN GOMMA RUBBER SEAL



DN	E	I	L
40	50	13.5	3
50	62	53.5	3
60	73	63.5	3
70	80	73.5	3
80	95	83.5	4
100	117	103.5	4