

The new Eltex mini power supply generates high voltage for the AC operated discharge bars.

The 24 V DC voltage connection makes the unit independent from the different national line voltages.

Features of the COMPACT POWER ES24:

- stable 5 kV AC output voltage
- output current monitoring
- short-circuit proof
- independent from different national line voltages
- 2 high voltage connectors for connection of several consumer units (bars, blowing nozzles) via high voltage distributor ESVY61 / ESV61 (optional)
- error messages via potential-free contact
- protection class IP54 (depending on version)
- compact design, small dimensions
- adaptable and easy to install
- low weight compared with conventional transformers

Technical Information



F01063y

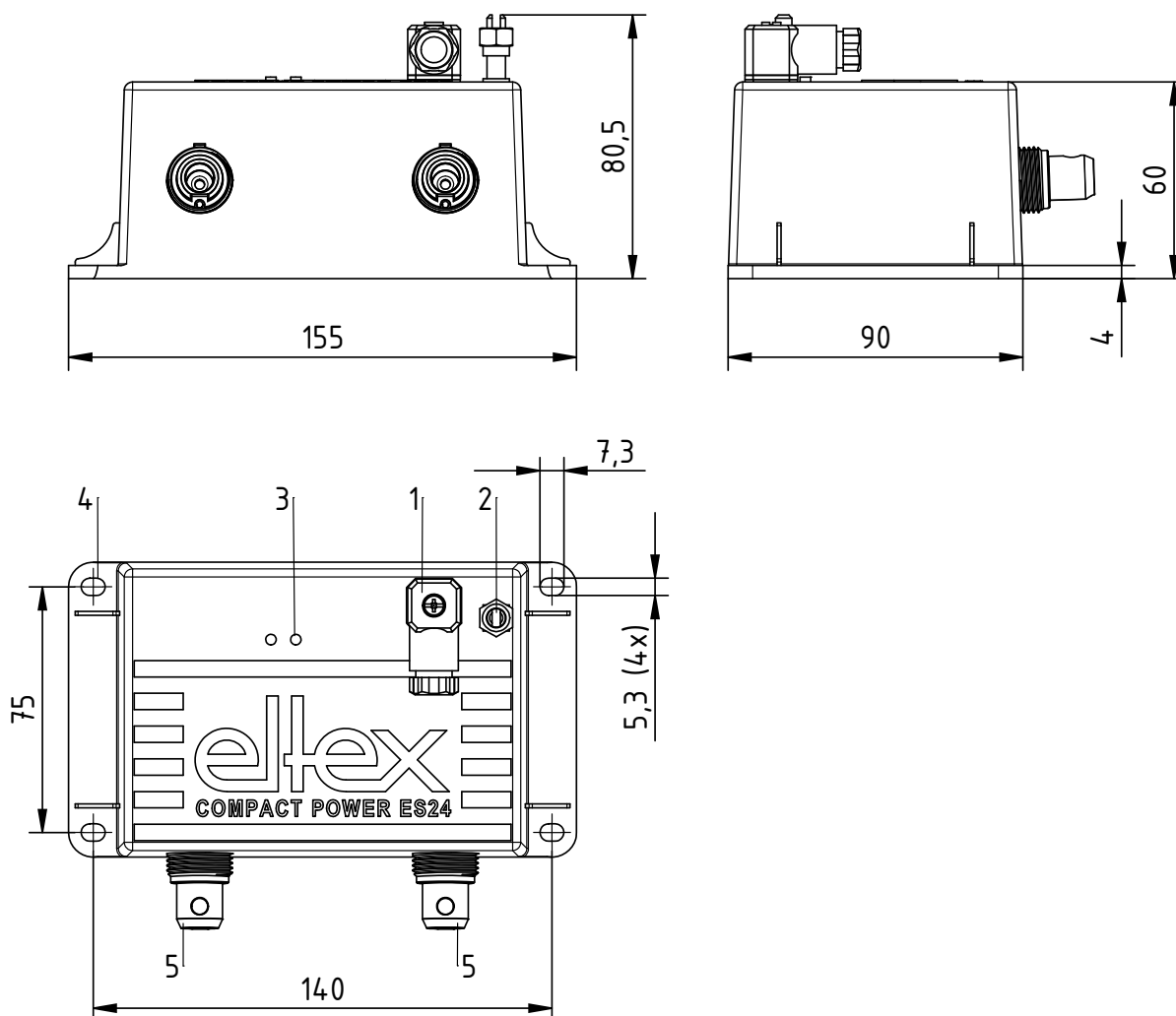
COMPACT POWER ES24

**Series ES24 Power Supplies
for supplying AC discharge bars**

TI-en-2062-1909

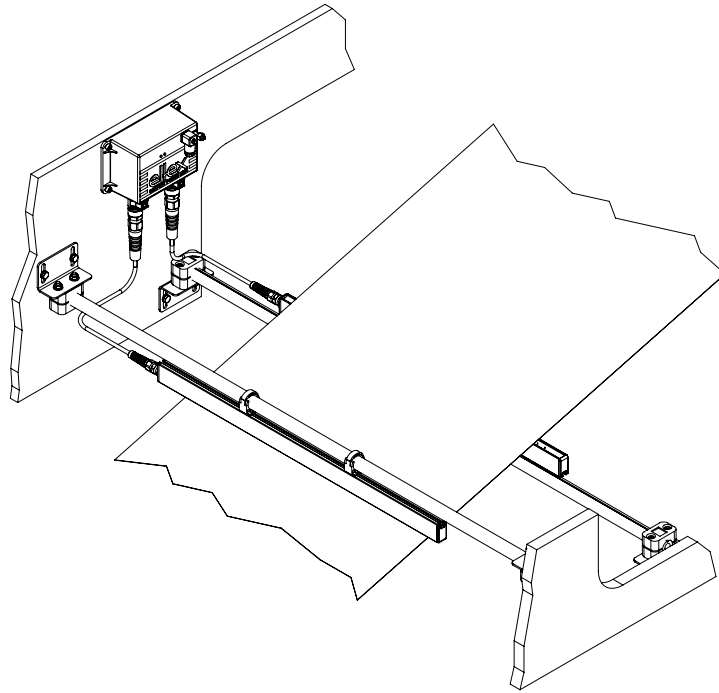


Dimensions and assembly instructions



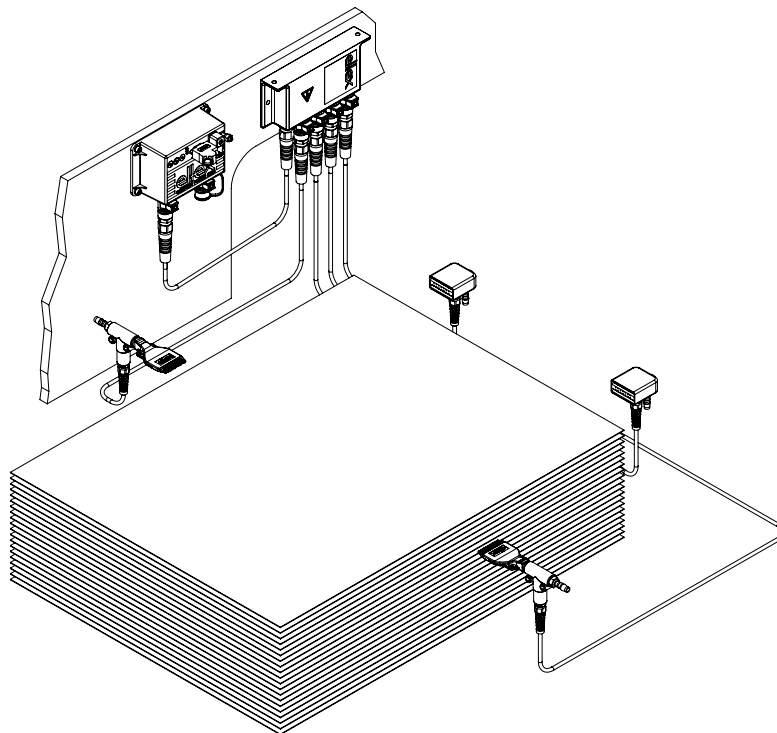
Z-113181by

- 1 Universal plug: supply voltage and potential-free fault signal contact
 - Pin 1: potential-free fault signal contact
 - Pin 2: +24 V DC
 - Pin 3: GND
 - Pin 4: potential-free fault signal contact; trouble-free state - contact closed
- 2 Operational grounding connection
- 3 LED status; function and error messages display
- 4 Fixing holes for screws M5
- 5 2 high voltage outputs:
connection of the consumer units (discharge bars, distributors ESVY61 / ESV61)



Z-113171ay_1

*Example:
connection of*



Z-113171ay_2

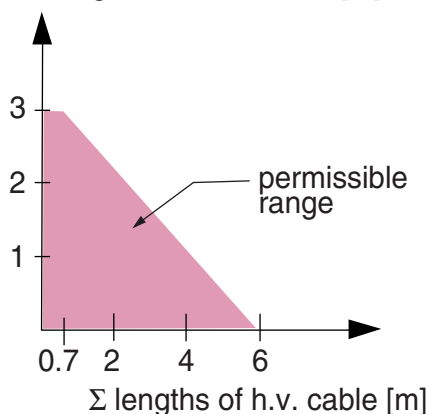
When connecting several consumer units (bars, ion blower nozzles and heads) using an ESVY61 / ESV61 high voltage distributor, the entire active bar and cable length must be within the permissible range of the loading capacity diagram.

Technical specifications

Supply voltage	24 V DC +/- 10 %
Power input	15 VA max.
Output voltage	5 kV AC / 100 Hz
Loading capacity	depending on bar length and length of high voltage cable
Output current	max. 2.0 mA at 5 kV
Ambient operating temperature	0...+40°C (+32...+104°F)
Storage temperature	0...+70°C (+32...+158°F)
Ambient humidity	max. 80% r. h., non-dewing
Optical indicator	LED on housing: green: high voltage active red: malfunction
Mains power	socket contact with plug, power supply as optional accessory
Ground link	grounding terminal on housing
High voltage connection	2 plug-type high voltage connections
High voltage distributor ESV61 (optional)	2 plug-type high voltage connections (1 high voltage cable, 2 outputs)
High voltage distributor ESV61 (optional)	4 plug-type high voltage connections (1 high voltage cable, 4 outputs)
Function and error messages signal	1 potential-free contact; max. 24 V DC / 0.5 A
Enclosure	plastic with wall-mounted bracket
Dimensions	60 x 155 x 90 mm (H x W x D) (see figure)
Protection class	IP54 according to EN 60529
UL Approval	File No. E227156



Σ lengths of active bars [m]



201132en

Loading capacity of the power supply

Both the lengths of the high voltage cable and of the active bars are limited. The shielded high voltage cables cause a capacitive load on the transformer inside the power supply. The maximum loading capacity is a result of the function of the total active bar length and the total length of all on power supply connected high voltage cables. The illustration opposite demonstrates this principle for the discharge bars R45 / R50.

Loading capacity of the power supply as factor of bar length and length of high voltage cable



Eltex-Elektrostatik-Gesellschaft mbH
Blauenstraße 67-69
79576 Weil am Rhein | Germany
Phone +49 (0) 7621 7905-422
eMail info@eltex.de
Internet www.eltex.de