

REA JET

INDUSTRIAL CODING AND
MARKING SOLUTIONS -
MADE IN GERMANY

REA JET SC 2.0

Small text, big impression:
The next generation of small character inkjet printers



REA JET SC 2.0

Small Character Inkjet Printer



Small fonts can make a big impact thanks to state-of-the-art continuous inkjet technology (CIJ). No other coding and marking technology has made a greater contribution to consumer safety and information in our everyday lives, as can be clearly seen in the areas of foodstuffs and product packaging alone.

With the new SC 2.0, one- to eight-line texts, data, barcodes, Data Matrix codes and logos are printed in a contact-free process – in high resolution, at fast speeds and with a very short drying time. This process is used in virtually all branches of industry for marking smooth surfaces such as foil, laminate, plastic or metal.

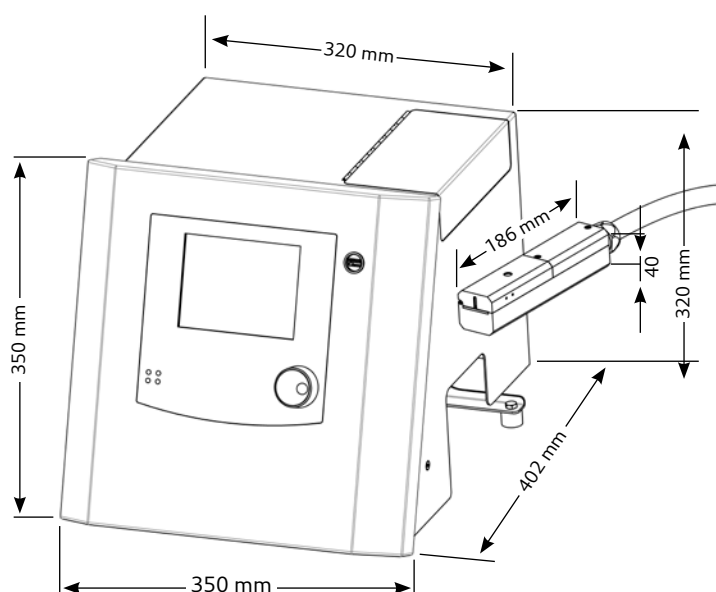
Advantages:

- Compact, elegant and robust – designed for industrial use
- Contact-free coding and marking, even for a larger product distance
- Top print quality
- Stainless steel housing, IP54
- Various hose assembly lengths available
- Vertical resolution: 48 pixels for up to eight lines of text
- State-of-the-art operating concept: REA JET TITAN Platform
- Printing of variable data, e.g. counter, date, time, best before date, shift code, serialized data for traceability, machine-readable codes (barcodes and 2D matrix codes)
- Shortest drying time on smooth surfaces
- High production and marking speeds
- Perfectly suited for integration thanks to the latest interface technology
- Ready for Industry 4.0
- Print head suitable for assembly on linear motion devices
- No manufacturer-bound cartridge system for the greatest flexibility
- Service-friendly design
- Safe and clean filling of ink and solvent, even during operation
- Intuitive user interface, e.g. for commissioning and diagnosis
- Differentiable user levels for the highest process reliability
- Comprehensive range of accessories
- Low weight, only approx. 20 kg

Immediately deployable worldwide:

- Ideal for international deployment with over 20 languages and growing
- Uniform, cross-device communication protocol for status monitoring enables customer-specific signal processing
- Universal graphical user interface in WYSIWYG format: accurate display of print contents
- Integrated web server enables operation of printing system via tablet or smartphone
- Full Unicode support for companies with international customers
- Support of all TrueType Fonts: greatest possible design freedom for your printed texts
- XML-based data structure and communication protocol: globally used standard for data compatibility
- Integrated VNC server: remote maintenance tool

Small, compact and powerful:





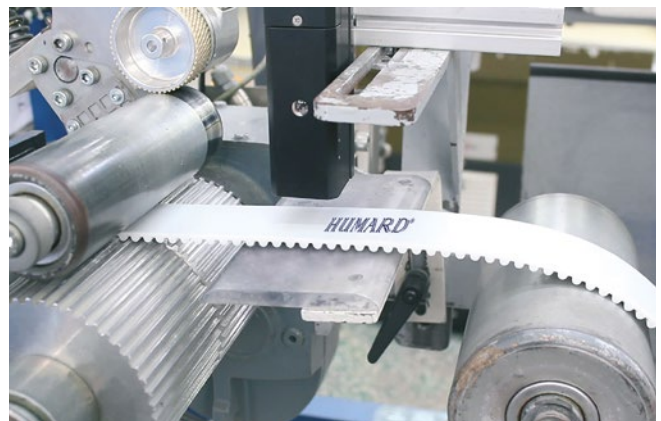
Coding and marking of steel pipes



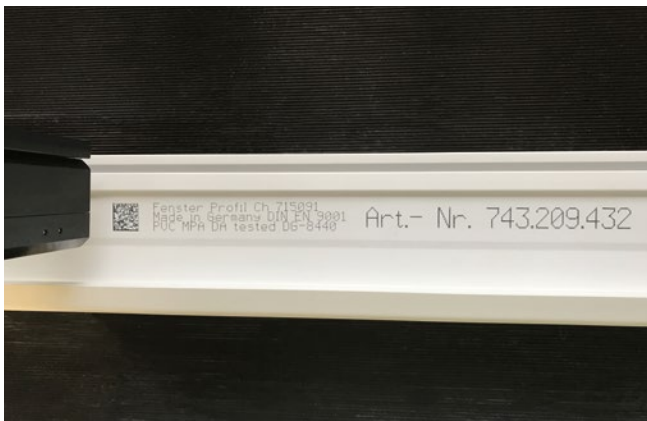
Marking of plastic paint buckets



Marking of folding boxes



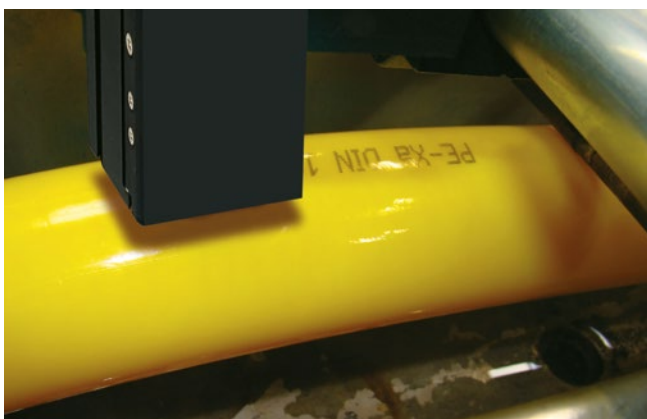
Coding and marking of toothed belts



Coding and marking of plastic profiles



Marking of packaging foils



Marking of plastic pipes



Marking with slightly pigmented ink

REA JET



REA Elektronik GmbH

Teichwiesenstrasse 1

64367 Muehltal

Germany

T: +49 (0)6154 638-0

F: +49 (0)6154 638-195

E: info@rea-jet.de

www.rea-jet.com