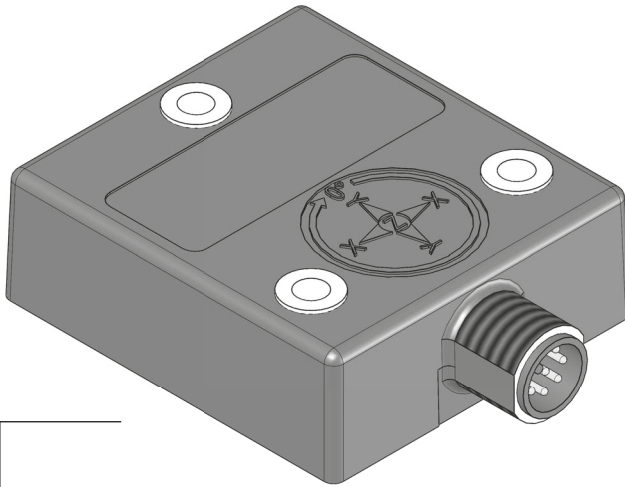


Inclinometer IK360L



Features:

- Single axis inclinometer 0 ... 360°
dual axis inclinometer -80° ... 80° and -80° ... 80°
- Accuracy $\pm 0.5^\circ$, Resolution 0.01°
- Interfaces 0-10V, 4-20mA
- temperature compensated
- Protection IP67
- easy three-point-mounting

SIKO GmbH

Address

Weiherrmattenweg 2
79256 Buchenbach

Telephone

+49 7661 394-0

Fax

+49 7661 394-388

eMail

info@siko.de

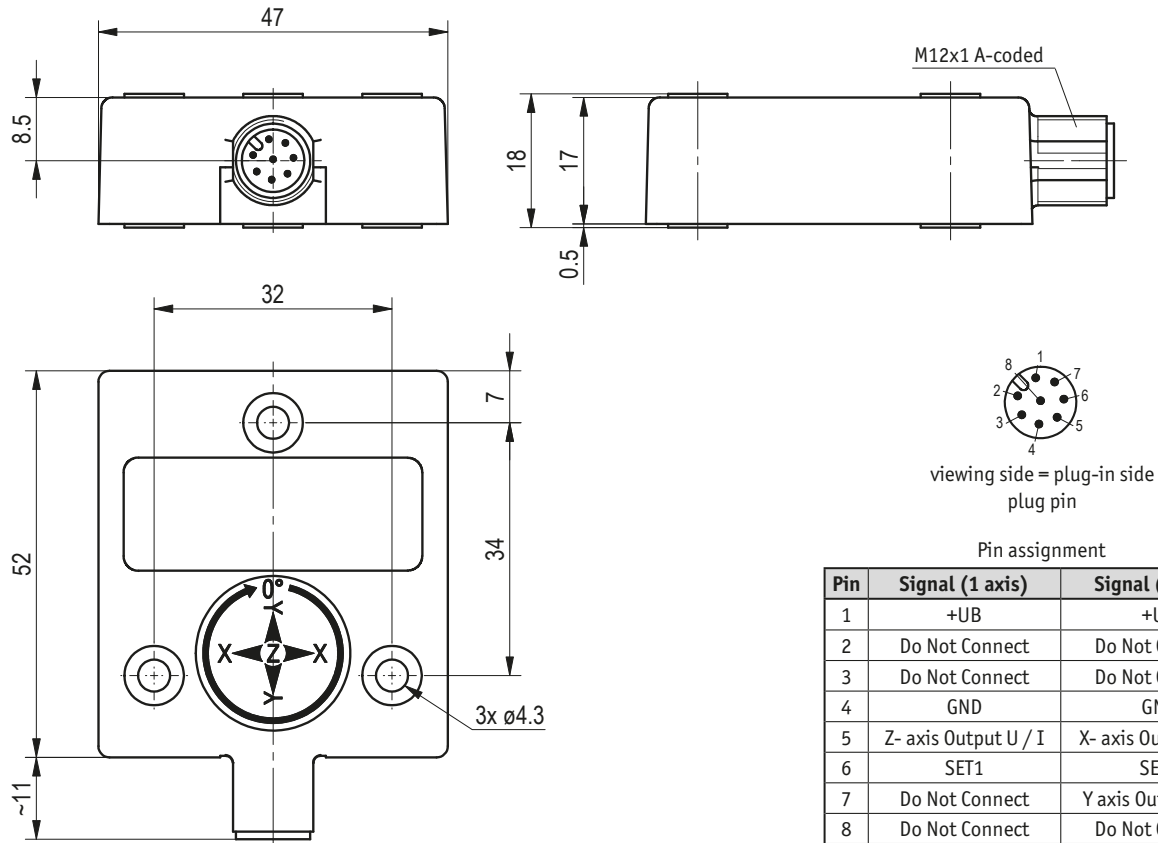
Internet

www.siko-global.com

Feature	Order text	Additional information
Number of axis	1	
	2	A
Interface	0-10V	
	4-20mA	B

Your ordering: - -

Inclinometer IK360L



Pin assignment

Pin	Signal (1 axis)	Signal (2 axis)
1	+UB	+UB
2	Do Not Connect	Do Not Connect
3	Do Not Connect	Do Not Connect
4	GND	GND
5	Z- axis Output U / I	X- axis Output U / I
6	SET1	SET1
7	Do Not Connect	Y axis Output U / I
8	Do Not Connect	Do Not Connect

Technical data

Mechanical data:

Housing	PBT glass-fiber reinforced
Weight	~0.075 kg

Electrical data:

Operating voltage	10 ... 30 V DC
Power input	≤0.7 W
Interface	Z = 0 ... 10 V, 0° = 0 V, load ≤1 mA X and Y = 0 ... 10 V, 0° = 5 V, load ≤1 mA Z = 4 ... 20 mA, 0° = 4 mA; load ≤270 R X and Y = 4 ... 20 mA, 0° = 12 mA, load ≤270 R
Accuracy	±0.5°
Cut-off frequency	100 Hz (without filter)

System data:

Resolution	0.01°
Measuring range	360° X and Y = -80 ... 80°

Ambient conditions:

Ambient temperature	-40 ... 85 °C
Relative humidity	100 % condensation admissible
EMC	EN 61000-6-2 EN 61000-6-4 interference resistance / immission emitted interference / emission
Protection category	IP67 EN 60529, with mounted mating connector
Shock resistance	≤1000 m/s ² , 6 ms EN 60068-2-27
Vibration resistance	1.5 mm, 10 ... 58 Hz ≤200 m/s ² , 58 Hz ... 2 kHz EN 60068-2-6 EN 60068-2-6

Accessory

83525	Mating connector M12	8 pins circular cable connector A-coded (ø20)
KV08S3	Cable extension M12	8 pins circular cable connector A-coded (ø15)

Additional information