

Technical Information



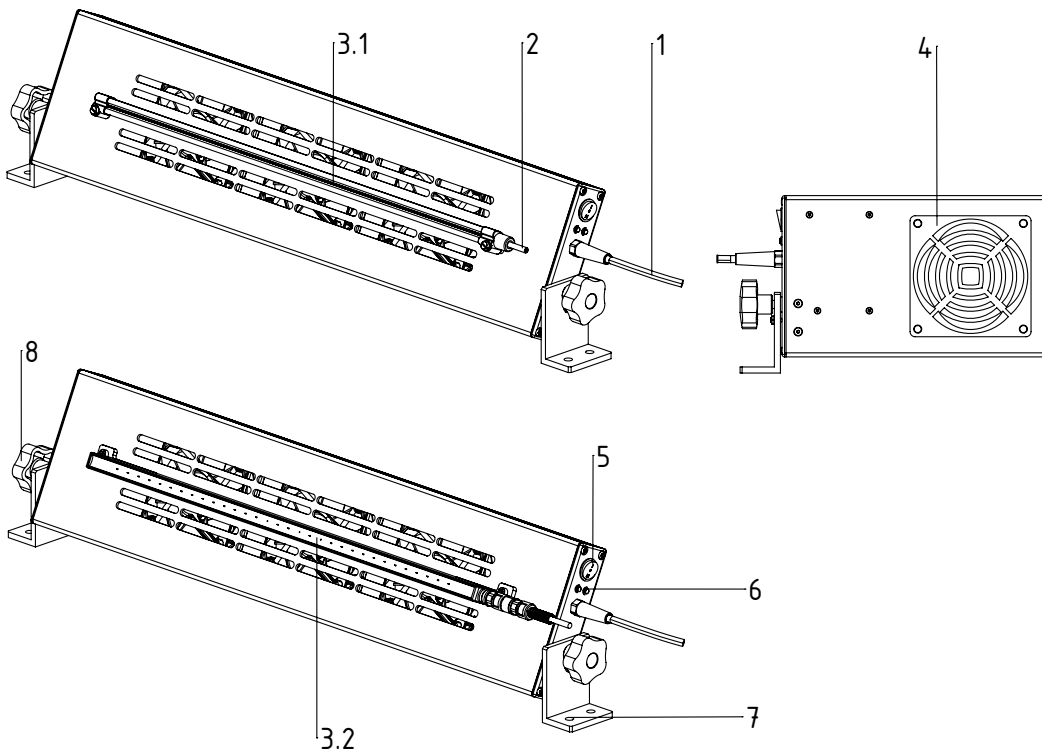
Z01039y

CombiBlow CB160
CombiBlow CB161

TI-en-2047-1810



Outline of appliance



- 1 *Supply voltage 230 V / 50 Hz*
- 2 *High voltage connection for the discharging bar*
- 3.1 *Discharging bar R45 (CB160)*
- 3.2 *Discharging bar R50 / R51A (CB161)*
- 4 *Filter cartridge / Fan
per fan / 1 input filter with replaceable filter cartridges*
- 5 *twin-stage switch*
- 6 *LED*
- 7 *Fastening angle / fixing holes*
- 8 *Locking screw - angle of incidence continuously adjustable*

Operating with a combination of ionization and blown air, the Eltex CombiBlow CB16x delivers ultimate ionization performance over distances as large as one meter. The CombiBlow is robust and safe in design and construction and, with its built-in two-stage blower, needs no external compressed air connection.

The appliance is available for working widths ranging from 160 to 2,000 mm.

The CB16x is used specifically in film and foil winders and in injection molding, but it is also suitable for general use in other applications where ionization over larger distances is required.

Z-1114696y

Technical Specifications

| | | | | | | |
|---|---|----------|----------|-----------|-----------|-----------|
| Supply voltage | 230 V / 50 Hz | | | | | |
| Power input | per ventilator: approx. 5 W | | | | | |
| Volume flow | level I: approx. 80 m ³ /h per ventilator level II: approx. 150 m ³ /h per ventilator | | | | | |
| Enclosure | anodized aluminium | | | | | |
| Dimensions | (active length + 285) x 175 x 70 mm | | | | | |
| Weight | active length 500 approx. 3 kg active length 1000 approx. 5 kg active length 1500 approx. 7 kg active length 2000 approx. 9 kg | | | | | |
| Active length | 160 up to 2000 mm | | | | | |
| Ambient operating temperatur | 0...+50°C (+32...+122°F) | | | | | |
| Noise level | active length 500 level I 42 dB(A) level II 55 dB(A) active length 1000 level I 43 dB(A) level II 56 dB(A) active length 1500 level I 43 dB(A) level II 57 dB(A) active length 2000 level I 44 dB(A) level II 58 dB(A) | | | | | |
| Number of fans | 1 | 2 | 3 | 4 | 5 | 6 |
| Working width AB (active length) | 160 | 320 | 500 | 660 | 820 | 1000 |
| Volume flow [m ³ /h] | | | | | | |
| Level I | 80 | 160 | 240 | 320 | 400 | 450 |
| Level II | 150 | 300 | 450 | 600 | 750 | 900 |
| Number of fans | 7 | 8 | 9 | 10 | 11 | 12 |
| Working width AB (active length) | 1160 | 1320 | 1500 | 1660 | 1820 | 2000 |
| Volume flow [m ³ /h] | | | | | | |
| Level I | 560 | 640 | 720 | 800 | 880 | 960 |
| Level II | 1050 | 1200 | 1350 | 1500 | 1650 | 1800 |
| Discharging bar R45 / R50 / R51A | | | | | | |
| Material / bar element | Encapsulation material PU | | | | | |
| Emission tips | Stainless steel | | | | | |
| Operating ambient temperature | R45: 0...+70 °C (+32...+158° F) R50 / R51A: 0...+80 °C (+32...+176° F) | | | | | |
| Ambient humidity | max. 70% RH, non-dewing | | | | | |
| Operating voltage | max. 5 kV AC, 50/60 Hz | | | | | |
| High voltage supply | via Eltex power supplies | | | | | |
| Contact protection | according to EN 61140 | | | | | |

Eltex offices and agencies

The addresses of all
Eltex agencies can be
found on our website at
www.eltex.com



z01007y



Eltex-Elektrostatik-Gesellschaft mbH
Blauenstraße 67-69, D-79576 Weil am Rhein

Phone +49 (0) 76 21/ 79 05 - 230

Fax +49 (0) 76 21/ 79 05 - 330

eMail static-control@eltex.com

Internet www.eltex.com