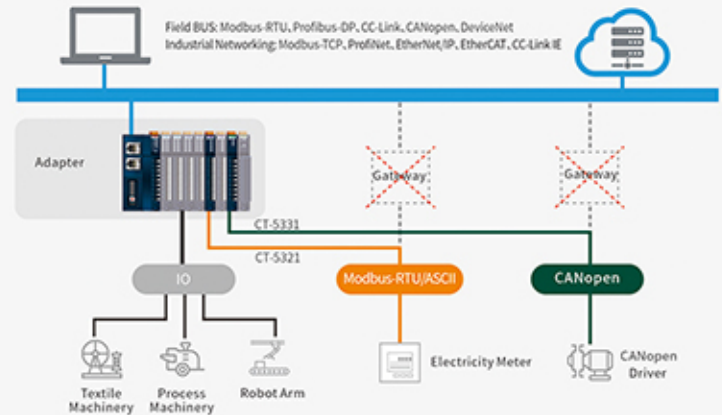


ODOT CN-8034

EtherNET/IP Network Adapter and Remote I/O system

The CN-8034 Ethernet/IP I/O module supports standard Ethernet/IP protocol access. The adapter supports a Max. input of 504 bytes and a Max. output of 504 bytes. It supports 32 pcs of extended I/O modules.

REMOTE I/O modules :DI/DO & AI/AO current/voltage input output /PT100/Thermocouple/Encoder/SSI/10MHz high speed counting,etc). It has been tested successfully with PLC such as AB(1769-L16ER-BB1B), Delta (AS228T-A), Omron (NX1P2-9024DT) ,Siemens S7 and other controllers.



The network adapter is also compatible with CODESYS V3.5.

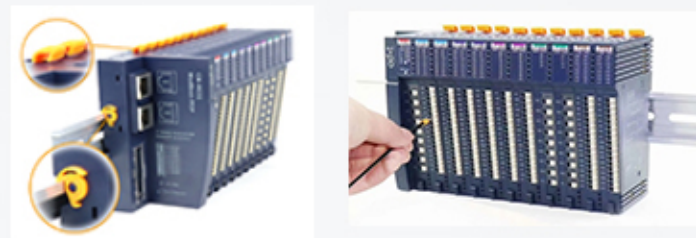
- Max. input is 504 byte
- Max. output is 504 byte
- Max. explicit message connection is 10
- Max. implicit message connection is 5
- Max. CIP connection is 10
- Max. Bus length is 100m
- 2*RJ45, 10/100Mbps, self-adaption, full duplex

Technical Parameters

- System Power: Nominal: 24Vdc, Range: 9-36Vdc
- Protection: Overcurrent Protection, Reverse Protection: YES
- Power Consumption: 110mA@24Vdc
- Internal BUS Supply Current: Max.2A@5VDC
- Isolation: System Power to Field Power Isolation
- Field Power Supply: Power Supply: 22~28V (Nominal 24VDC)
- Field Power Supply Current: Max. DC 8A
- I/O Modules supported: 32 pcs
- Wiring: Max.1.5mm²(AWG 16)
- Mounting Type: 35mm Size DIN-Rail
- Size: 115*51.5*75mm
- Weight: 130g
- maecenas accumsan lacus vel facilisis.

Environment Specification

- Operational Temperature: -40~85°C
- Operational Humidity: 5%~95% RH(No Condensation)
- Protection Level: IP20
- Protocol: Ethernet/IP
- Max. input length: 504 Bytes per assembly instance
- Max. output length: 504 Bytes per assembly instance
- Max. no. of explicit message connections: 10
- Max. no. of implicit message connections: 5
- Max. no. of CIP connections: 10
- Network Interface: 2*RJ45
- Speed: 10/100Mbps, MDI/MIDX, Full-Duplex
- Max. Bus Length: 100m



Founded in 2003, Sichuan ODOT Automation System Co., Ltd. is a technical enterprise specialized in industrial communication and automation control system R&D and integrated technical service. with 18-years experience focused on I/O solutions, as a leading I/O automation service provider in China.

We own a factory of over 1500 square meters and we have 70 staff including 30 engineers, 16 senior technical talents, 45 undergraduates, 19 special technic talents, 4 scientific prizes, 2 inventing patents, 7 new-concept patents, and 20 software copyright patents.

Since 2012 and ODOT Automation has successfully provided professional field data collection solutions for textile enterprises, automobile accessory enterprises, Gas&Oil processing enterprises, food and beverage producing enterprise, water treatment, power management, hydro power station, New Energy, liquor producing enterprises etc.

Our mission is focusing on IIOT, boosting smart factory.



Strength Certification qualification

ODOT Having passed ISO9001:2015, CE and Intellectual Property Management System certification. also a member of international communication standard organization PROFIBUS&PROFINET Association (PIChina), EtherCAT Technology Association, CC-Link member unit, OPC International Fund Organization, China Communication Industry Association, Industry Internet Federation and Edge computing industry Federation.



Applications we support

1. Machinery Industry

CNC/Food and beverage/Grain and oil machinery/Smart factory/AUTO

2. Energy Industry

Thermal plant/hydropower station/PTD

3. New Energy

Solar/Photovoltaic-PV/Lithium battery industry

4. Process Control

Sewage disposal/Oil and Gas/Chemical/Pharmacy

5. Other Industry

Railway/ Urban rail/Building/ HVAC