

# Questionnaire - aluminium lags

type of machine

	Year	
Manufacturer of machine		

## cross-section of lags

R1 Tambour-diameter

 mm

Number of lags per lining

 pieces

A1 Width of lag - outside

 mm

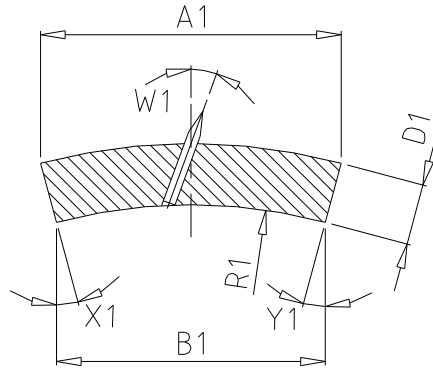
B1 Width of lag - inside

 mm

Length of lag

 mm

D1 Thickness of lag

 mm


Longitudinal edges -radial

or

X1 Angel of lateral edge left

 degrees

Y1 Angel of lateral edge right

 degrees

## Pinning

Pin diameter

 mm

Pin length

 mm

Free protruding pin length

 mm

W1 Pin angle (vertical = 0°)

 Grad

Working width = pinned width

 mm

Number of pin-rows

Number of pins per row

Fixing holes

drawing necessary

## Specialities


Inquiry from

Contact person

Telephone

Telefax

Street

Zip code / location

e-mail


**tambula GmbH**

Robert-Bunsen-Straße 15  
36179 Bebra  
Postfach 12 48  
36172 Bebra

Telephone 06622/919035

Telefax 06622/7480

e-mail: info@tambula.de