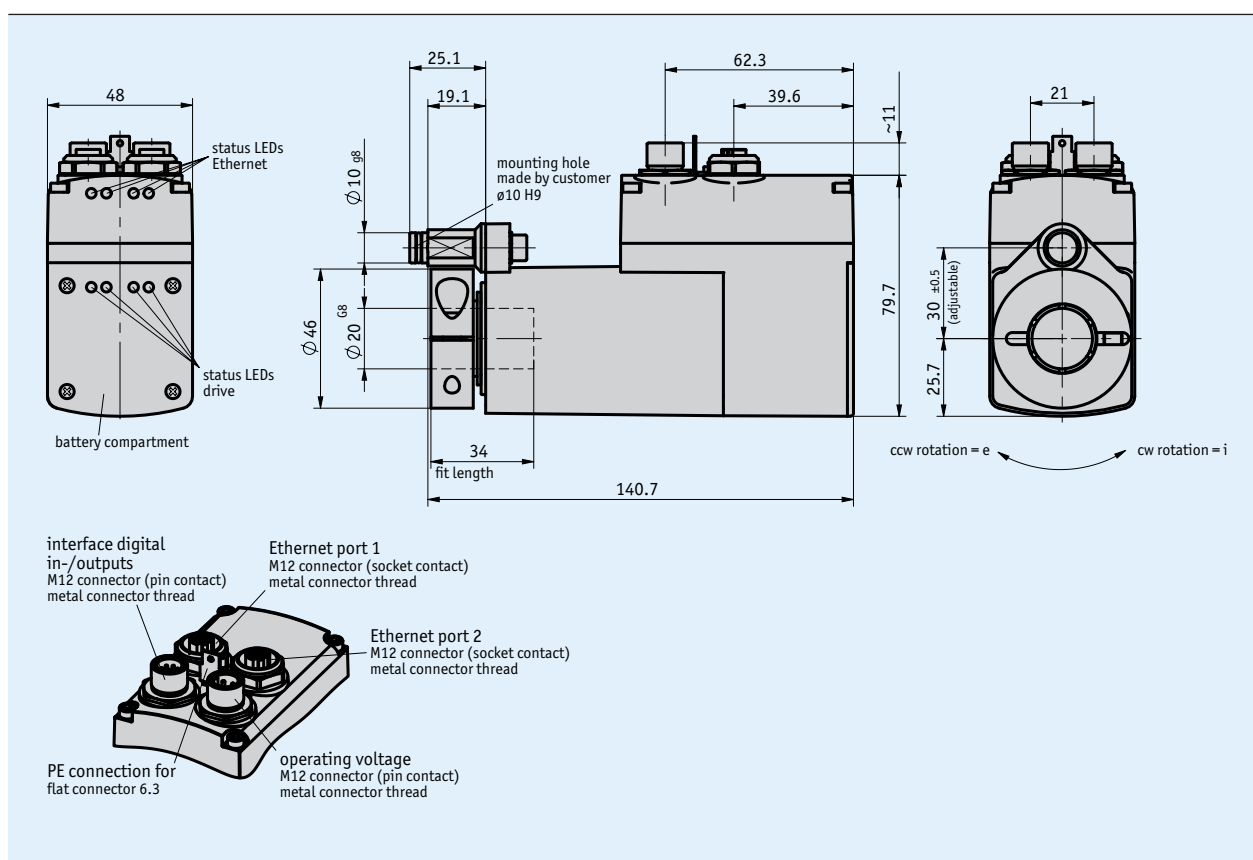


Profile

- compact dimensions, high power density
- easy mounting and commissioning
- High flexibility, high protection category
- stainless steel 20 mm hollow shaft, robust housing
- Brushless EC motor with a long service life
- solid absolute sensor, magnetic sensing technology
- integrated power and control electronics
- integrated Industrial-Ethernet-Fieldbus
- Integrated positioning controller
- M12 component mounting technology



Mechanical data

Feature	Technical data	Additional information
Shaft	stainless steel	
Housing	glass-fiber reinforced plastic / zinc die-cast	
Clamping ring	stainless steel	
Torque pin	stainless steel	
Nominal torque/rated speed	7 Nm at 30 rpm ±10 % 13 Nm at 15 rpm ±10 %	i = 188 i = 368 (transiently adm. break-away torque 14 Nm)
Operating mode	intermittent duty S3: 25% DC, 10 min.	EN 60034-1

Electrical data

Feature	Technical data	Additional information
Operating voltage	24 V DC $\pm 10\%$	reverse polarity protected, output stage
	24 V DC $\pm 10\%$	reverse polarity protected, control
Current consumption	2.2 A $\pm 10\%$	at nominal torque/speed (output stage)
	<150 mA	starting current >150 mA (control)
Power input	≤ 58 W	output stage
	≤ 3.6 W	control
Battery	CR2477N, 3 V lithium, 950 mAh	
Battery service life	~5 year(s)	depending on ambient conditions
Digital inputs	17 ... 30 V DC	typically 10 mA
Status display	8 LEDs	
Keys	2 internal keys, internal DIP switch	
Switching outputs	24 V DC $\pm 10\%$	≤ 40 mA
Bus connection	EIP-EtherNet/IP	
	EPN-PROFINET	
	ECT-EtherCAT	
	EPL-POWERLINK	
Type of connection	2x M12 plug connectors (A-coded)	4-pole, 1x pin; 8-pole, 1x pin
	2x M12 plug connectors (D-coded)	4-pole, 2x socket
	grounding via flat connector 6.3 mm	

System data

Feature	Technical data	Additional information
Resolution	720 increments/revolution shaft	
Repeat accuracy	± 1 increment(s)	
Travel range	± 697 revolution(s)	i = 188
	± 356 revolution(s)	i = 368

Ambient conditions

Feature	Technical data	Additional information
Ambient temperature	0 ... 45 °C	
Storage temperature	-20 ... 60 °C	
Relative humidity		condensation inadmissible
EMC	EN 61800-3, second environment	interference resistance / immission
	EN 61800-3, C2	emitted interference / emission
Protection category	IP54, IP65	EN 60529, only with mating connector
Shock resistance	500 m/s ² , 11 ms	EN 60068-2-27
Vibration resistance	<100 m/s ² , 5 ... 150 Hz	EN 60068-2-6

Pin assignment

■ EtherCAT, EtherNet/IP, POWERLINK, PROFINET

Signal	PIN
Tx+	1
Rx+	2
Tx-	3
Rx-	4

■ Operating voltage (output stage / control)

Signal	PIN
+UB (output stage)	1
+UB (control)	2
GND (output stage)*	3
GND (control)*	4

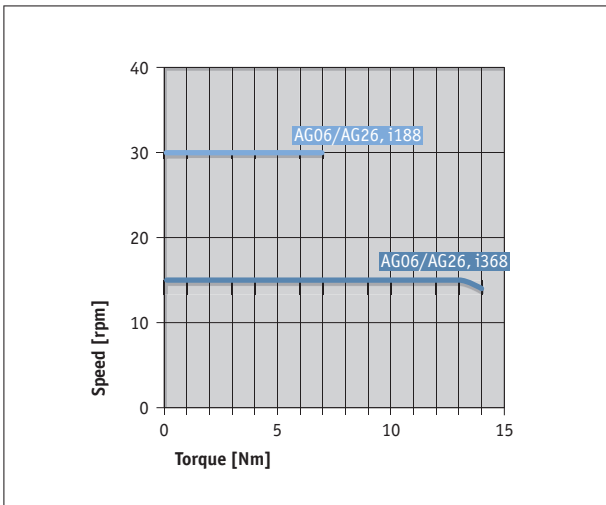
* internally connected with SGND

■ Digital inputs / outputs

Signal	PIN
Input 1	1
Input 2	2
Input 3	3
Input 4	4
Output 1	5
RXD	6
TXD	7
SGND*	8

* internally connected with GND of operating voltage

Performance curve



Order

Ordering table

Feature	Ordering data	Specification	Additional information
Gear ratio	188	i = 188	
	368	i = 368	
Protection category	IP54	IP54	
	IP65	IP65	
Interface/protocol	ECT	EtherCAT	
	EIP	EtherNet/IP	
	EPL	POWERLINK	
	EPN	PROFINET	

Order key

AG26 Fieldbus/IE - A - 50W - B - KR/20 - B - ABM - C - SW

Scope of delivery: AG26 Fieldbus/IE, Documentation on CD, Mounting instructions

Accessories:

Cable extension KV04S2

Cable extension KV08S2

Programming software ProTool DL

Mating Connector Overview

Mating connector, operating voltage, 4-pole, socket

Mating connector, operating voltage, 4-pole, angle socket

Mating connector, digital inputs/outputs, 8-pole, socket

Mating connector, digital inputs/outputs, 8-pole, angle socket

Mating connector, port 1 + port 2, 4-pole, pin

Mating connector, port 1 + port 2, 4-pole, angular pin

www.siko-global.com

www.siko-global.com

www.siko-global.com

www.siko-global.com

Order key 83526

Order key 83091

Order key 83525

Order key 87599

Order key 87601

Order key 87600