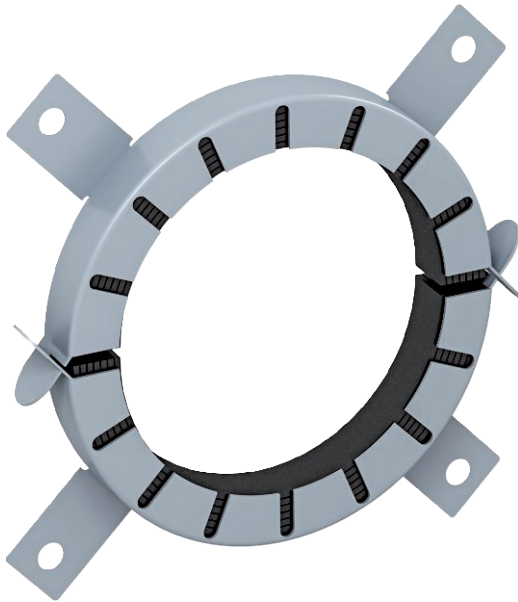


# Technical data sheet

## Pipe sleeve with 4 fastening straps

Item no. 7202204



Pipe sleeve for combustible pipes.

If there is a fire, fire protection inserts inside the sheet steel housing expand, exerting a very great pressure onto the burning thermoplastic pipes.

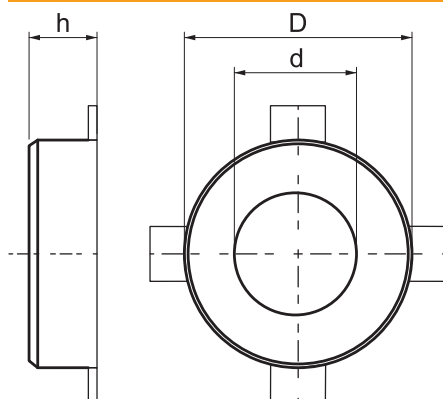
Fastening with anchors of M6 threaded rods up to size 75 mm, then M8.

Intumescent material

### Master data

Item no.	7202204
Type	TCX-063
Description 1	Pipe sleeve
Description 2	for combustible pipes
Dimension	ø63mm
Colour	Grey
Material	Intumescent material
Smallest sales unit	1,00 Piece
Weight	15,50 kg/100 pc.

### Technical data



Length	94,00 mm
Width	94,00 mm
Height	26,00 mm
Dimension D	94,00 mm
Dimension d	67,00 mm
Dimension h	26,00 mm
Shape	Round
Collar lock	Connector
With fastening material	<input type="checkbox"/>
Pipe diameter	63-65 mm
Accessories required	<input checked="" type="checkbox"/>