

Indicating Torque Screwdriver – MTD



Dial Indicating Torque Screwdriver for very low Torque Values

Tohnichi's MTD series torque screwdriver is designed for inspection and measuring of very low torque with precision.

Suitable for inspection and tightening of very small screws, e.g. small torque motor shafts or the like. Torsion bar mechanism makes accurate measurement possible.

With bi-directional scale plate, it can be used for both retightening and loosening torque testing methods. Memory pointer captures the achieved peak torque.

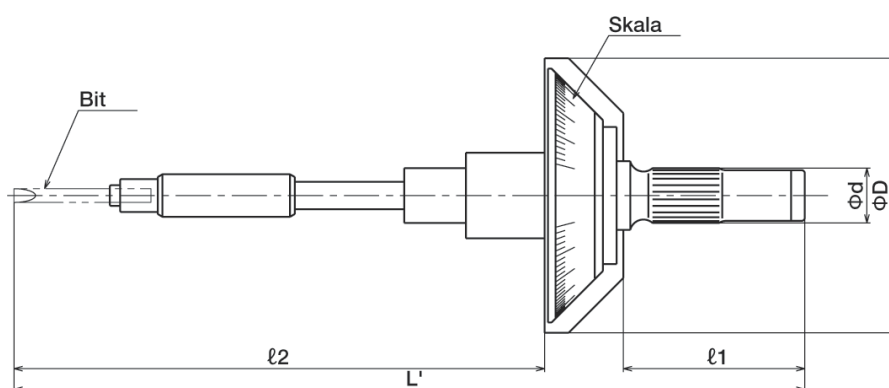
Applicable for international use including the EU region. Compliant with calibration procedures of EN ISO 6789 Type I Class D.

Tohnichi special-purpose bits for MTD are included as standard accessories:

INFO

- PH 0
- SL 0.15x1, 0.2x1.5, 0.3x2 mm

- Easy to read dial.
- Peak torque indication via memory pointer.
- Bi-directional scale plate for both directions (right/left).
- Accuracy $\pm 3\%$ FSD.
- Original Tohnichi Bits included.
- Traceable Calibration Certificate (EN ISO/JCSS).



MTD – S.I.

Model	Item No.	Torque Range * mN-m	Graduation mN-m	L' mm	L1 mm	L2 mm	øD mm	ød mm	Weight kg	Bit Insert
MTD5 MN	T201069	0.5 - 5	0,1	99.5	26,5	71,5	40	8	0.021	ø2
MTD10 MN	T201072	1 - 10	0,2	132	26,5	94	40	8	0.023	ø2

MTD – metric

Model	Item No.	Torque Range * gf-cm	Graduation gf-cm	L' mm	L1 mm	L2 mm	øD mm	ød mm	Weight kg	Bit Insert
50 MTD	T201070	5 - 50	1	99.5	26,5	71,5	40	8	0.021	ø2
100 MTD	T201073	10 - 100	2	132	26,5	94	40	8	0.023	ø2

MTD – imperial

Model	Item No.	Torque Range * ozf-in	Graduation ozf-in	L' mm	L1 mm	L2 mm	øD mm	ød mm	Weight kg	Bit Insert
MTD07 Z	T201071	0.1 - 0.7	0.02	99.5	26,5	71,5	40	8	0.021	ø2
MTD1.4 Z	T201074	0.2 - 1.4	0.02	132	26,5	94	40	8	0.023	ø2



Further information available 24/7 on our website.

* It is recommended to use in middle performance range (approx. 1/3 to 4/5 of rated capacity). If you regularly worked close to the limit of load (maximum span value), a larger model may be more convenient for the user.

Tel: +49 (0)40 303 989 100 • Mail: info@zemo-tools.de

ZEMO
www.zemo-tools.de