

# Safety Coupling I Series SKB-EK for direct drives

// with elastomer attachment // with lateral clamping hub on both sides  
 // plug-in // flexible // backlash-free // oscillation dampening

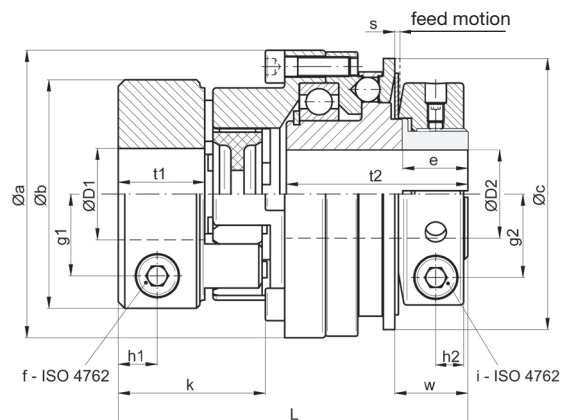
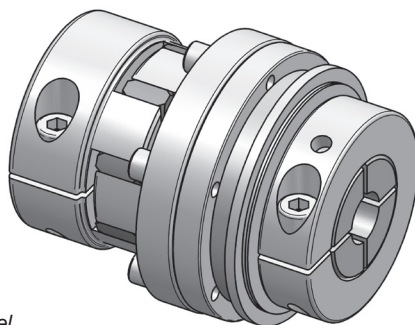
## technical data:

SKB -EK size	setting range disengagement torque $T_{KA}$ [Nm]	moment of inertia [10 <sup>-3</sup> kgm <sup>2</sup> ]	mass approx. [kg]	torsional stiffness [Nm/arcmin]	max. shaft mis- alignment [mm]		tightening torque of screws		$\varnothing$ D1 min max		$\varnothing$ D2 min max	
					axial±	lateral	f [Nm]	i [Nm]				
1	0,5 - 1	0,06	0,29	0,005	0,8	0,2	M2,5-1	M5-10	4	10	5	14
2	1 - 2											
6	2 - 6	0,13	0,44	0,25	0,5	0,1	M5-8	M5-10	8	20	6	16
12	6 - 12											
15	8 - 15	0,5	1	1	0,5	0,1	M6-14	M6-18	12	32	10	25,4
30	13 - 30											
45	22 - 45											
60	25 - 60											
100	40 - 100	1,5	2	1,2	1	0,1	M8-35	M8-40	19	38	18	35
150	60 - 150											
230	80 - 230	5,6	4,2	3,6	1	0,12	*M12-115(90)	M10-80	20	35(43)	24	42
330	130 - 330											
500	200 - 500	17	8,6	8	1	0,15	*M14-180(140)	M14-220	30	60(70)	28	58
800	350 - 800											
1000	500 - 1000	79	19,5	12	1	0,10	*M14-180(140)	M16-290	42	60(70)	42	100
2000	800 - 2000											

(\*) note: reduced tightening torque for bigger hub bore diameter - see also  $\varnothing$  D 1max!



update version



### material:

safety part: heat treated steel

clamping hub: high-tensile aluminum

(size 2000: tempered steel)

elastomer spider: polyurethane - 98 Shore A

screws: ISO 4762 / 12.9

temperature range: -30°C up to +90°C

### Dimensions [mm]: length dimensions according to DIN ISO 2768 cH

SKB-EK	Øa	Øb	Øc	e	g1	g2	h1	h2	k	L±1	s	t1	t2	w
1/2	40,5	20	42	14	6,5	13,5	5	6	28,5	65,5	0,8	10	33	14,6
6/12	52,5	40	48	14	13	13,5	8	6	33	77	0,9	17	41	16
15/30/45	69	55	66	16	20	19,5	10	7,5	39	91,5	1,2	21	48	18,5
60/100/150	88	70	83	20	25	25,5	12	8,5	45	107	1,6	26,5	55,5	22
230/330	115	85	109	23	29	32	14	10,5	54	134	1,8	31	72	26,5
500/800	137	120	132	32	44	42	18	13,5	71	167,5	2,5	38	87,5	37
1000	181	120	185	74	44	69	18	17/30	72	204	3,7	38	89	74
2000	181	160	185	76	55,5	69	21	17/30	84	219	3,7	42	89	77

\*note: other shore hardnesses of elastomer spider are possible on request  
coupling side with conical hub: see series SKB-ES

order example: SKB-EK 45 - D1 = 28<sup>G7</sup> - D2 = 24<sup>H7</sup> -  $T_{KA} = 35$  Nm