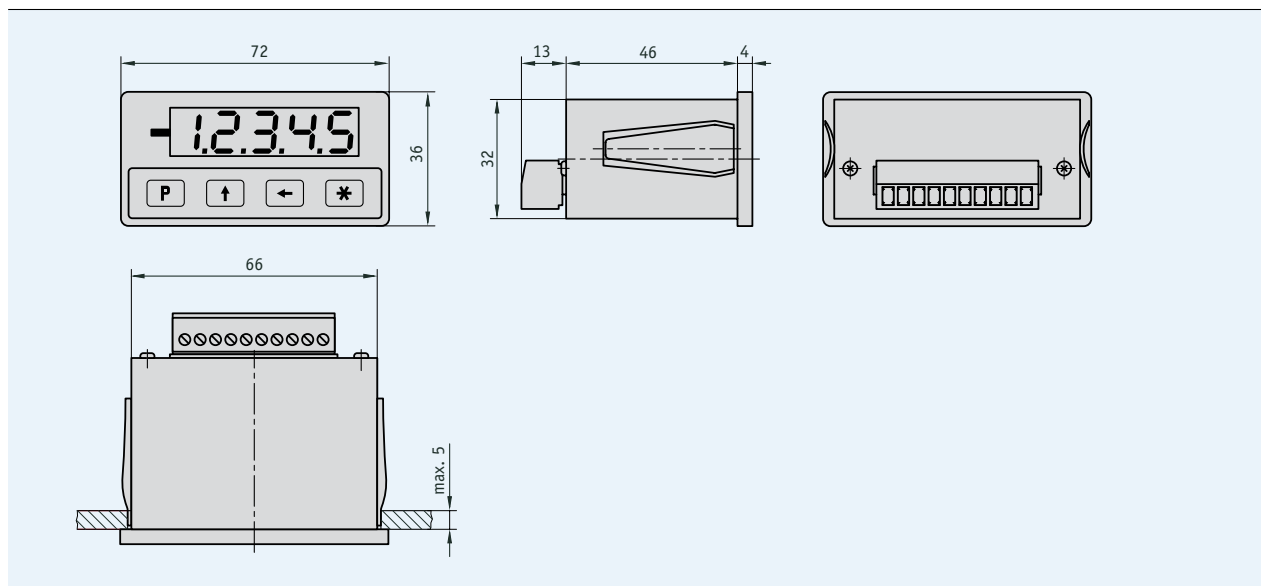


### Profile

- LED display (1 line of 5 digits)
- Input for incremental encoder recognition of the counting direction for length and angle measurement
- Free programming via front keyboard
- Non-volatile parameter storage (EEPROM)
- With reference connection
- Integrated quadruple evaluation of counting pulses
- Compact design



### Mechanical data

Feature	Technical data	Additional information
Operating temperature	0 ... 50 °C	
Storage temperature	-20 ... 80 °C	
Humidity	max. 95 % rF	
Condensation	inadmissible	
Protection category	IP40 whole device IP60 front with switchboard mounting	DIN 40050
Connection	10-pin connector strip	
Keyboard	membrane keys with pressure point	
Housing	plastic, with clamping clips	switchboard cutout 68 x 33 mm, DIN 43700
Weight	approx. 0.2 kg	

## Electrical data

Feature	Technical data	Additional information
Operating voltage	24 V DC $\pm$ 20 %	
Current consumption	~60 mA	with 24 V, without encoder
Display	5-digit, LED, red (7-segment)	
Display range	-99 999 ... +99 999	
Encoder input	square-wave signals 90° phase-shifted PP (push-pull), OE (open emitter)	with reference signal
Encoder input frequency	max. 25 kHz	
Encoder supply	24 V DC (200 mA)	
Pulse analysis	4-fold	
Interference protection class	EN61000-6-2, EN6100-6-4	

## Pin assignment

PP, OE	PIN
+ Ub encoder supply	1
A	2
B	3
I (I/O signal)	4
GND, screen encoder supply	5
RFS	6
GND	7
PE	8
0 V GND	9
+24 V operating voltage	10

## Order

### Order code

**MA55**

2.4

**Scope of delivery:** MA55, User information, Mating connectors

### Additional information:

General information and areas of application

Page 90 cont.