

The conventional PB series pressbrakes are manufactured with a heavy duty welded steel frame, a strong torsion bar and a hydro mechanical balancing system ensuring a long working life. The range spans capacities from 40 tonnes through to 300 tonnes with bending lengths of up to 4100mm. All models are fitted with euro style tooling and are supplied with a programmable NC controlled backgauge system and down stroke control with a digital read out display of the current position. Side and rear guards with electrical interlock switches are fitted as standard for increased safety.

## Machine Features

- User friendly NC control for backgauge depth – X axis
- 750mm stroke backgauge with two finger stops with manual height adjustment
- Ram stroke control by precision mechanical-stops built into each cylinder and electrically adjusted by push-buttons with a digital position display
- Independent position control of one cylinder-stop to provide fine angle adjustment
- Two-speed bending cycle giving fast approach, slow bending and fast return
- 3-function footswitch: normal bending, beam pause at any stroke point, automatic beam return upon release of footswitch
- AKAS laser tooling guards for enhanced ease of use
- Pendant control unit
- Euro style top tool holders with wedge adjustment
- Sectionalised gooseneck top tool and one piece multi-vee bottom die
- Two front support arms



PB NC RANGE

**CYBTOUCH 6**  
**TOUCHSCREEN NC**  
**CONTROLLER**


## Optional Equipment

- Manual bottom tool crowning system
- Quick release top tool clamping system
- Additional backgauge fingers
- Additional front support arms
- Cybtouch 6 Touchscreen NC Controller

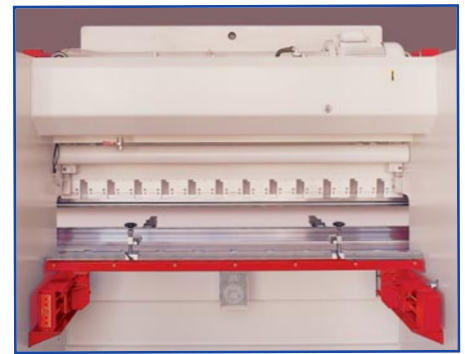
Metalworking  
Solutions  
Supplied



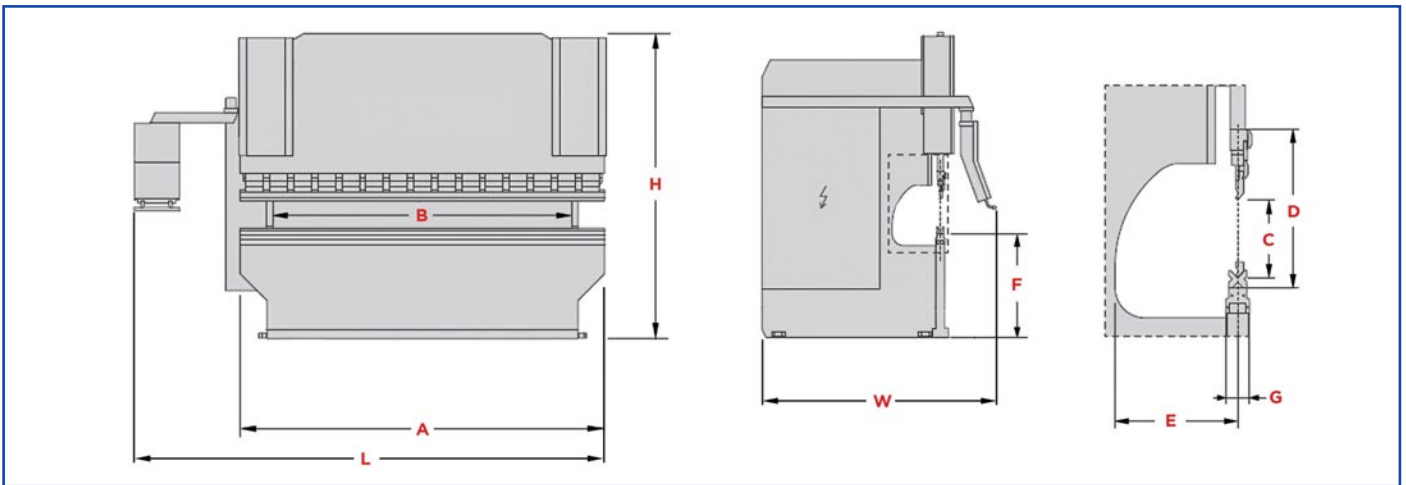
EURO STYLE TOOLING



BACKGAUGE FINGER DETAIL



REAR VIEW



For technical specification of standard tooling supplied see page 17

## TECHNICAL SPECIFICATIONS

| MODEL       | STOCK CODE | BENDING POWER | BENDING LENGTH | DIST BETWEEN COLUMNS | Y RAPID SPEED | Y WORKING SPEED | Y RETURN SPEED | TRAVEL IN X AXIS | OIL CAPACITY | MOTOR POWER | STROKE | DAYLIGHT | THROAT DEPTH | TABLE HEIGHT | TABLE WIDTH | LENGTH | HEIGHT | WIDTH | WEIGHT |
|-------------|------------|---------------|----------------|----------------------|---------------|-----------------|----------------|------------------|--------------|-------------|--------|----------|--------------|--------------|-------------|--------|--------|-------|--------|
|             |            | A mm          | B mm           | mm/sec               | mm/sec        | mm/sec          | mm             | lit              | kw           | C mm        | D mm   | E mm     | F mm         | G mm         | L mm        | H mm   | W mm   | kg    |        |
| PB 1250/40  | M5000      | 35            | 1250           | 1070                 | 100           | 10              | 70             | 750              | 80           | 4           | 150    | 470      | 410          | 800          | 140         | 2150   | 2150   | 1570  | 2200   |
| PB 2100/40  | M5001      | 40            | 2100           | 1600                 | 90            | 10              | 70             | 750              | 80           | 4           | 80     | 410      | 310          | 800          | 140         | 3100   | 2150   | 1570  | 3000   |
| PB 2600/60  | M5002      | 60            | 2600           | 2050                 | 90            | 9               | 65             | 750              | 100          | 5.5         | 110    | 450      | 310          | 860          | 140         | 3100   | 2150   | 1590  | 4800   |
| PB 2600/90  | M5003      | 90            | 2600           | 2050                 | 80            | 10              | 80             | 750              | 130          | 7.5         | 120    | 475      | 310          | 860          | 170         | 3100   | 2270   | 1650  | 5650   |
| PB 3100/90  | M5004      | 90            | 3100           | 2550                 | 95            | 10              | 80             | 750              | 170          | 7.5         | 120    | 460      | 310          | 870          | 140         | 4350   | 2270   | 1650  | 6500   |
| PB 3100/120 | M5005      | 120           | 3100           | 2550                 | 100           | 10              | 90             | 750              | 170          | 11          | 130    | 485      | 310          | 870          | 170         | 4350   | 2370   | 2250  | 7950   |
| PB 3100/160 | M5006      | 160           | 3100           | 2550                 | 90            | 8               | 75             | 750              | 180          | 11          | 140    | 510      | 310          | 870          | 200         | 4350   | 2450   | 2250  | 8700   |
| PB 3100/200 | M5007      | 200           | 3100           | 2550                 | 100           | 8               | 75             | 750              | 210          | 15          | 150    | 525      | 310          | 880          | 240         | 4350   | 2520   | 2250  | 10500  |
| PB 3100/240 | M5008      | 240           | 3100           | 2550                 | 70            | 8               | 55             | 750              | 210          | 18.5        | 160    | 580      | 310          | 880          | 280         | 4350   | 2650   | 2250  | 12000  |
| PB 3100/300 | M5009      | 300           | 3100           | 2550                 | 80            | 9               | 60             | 750              | 240          | 22          | 180    | 595      | 380          | 900          | 380         | 4350   | 2850   | 2400  | 17000  |
| PB 3700/160 | M5010      | 160           | 3700           | 3250                 | 90            | 8               | 75             | 750              | 210          | 11          | 140    | 500      | 310          | 870          | 170         | 4950   | 2450   | 1850  | 11200  |
| PB 3700/200 | M5011      | 200           | 3700           | 3250                 | 100           | 8               | 75             | 750              | 210          | 15          | 150    | 540      | 310          | 880          | 240         | 4950   | 2520   | 2200  | 12500  |
| PB 3700/240 | M5012      | 240           | 3700           | 3250                 | 70            | 8               | 55             | 750              | 260          | 18.5        | 160    | 565      | 310          | 880          | 240         | 4950   | 2650   | 2250  | 14000  |
| PB 4100/160 | M5013      | 160           | 4100           | 3550                 | 90            | 8               | 75             | 750              | 260          | 11          | 140    | 500      | 310          | 880          | 170         | 5300   | 2450   | 1950  | 12500  |
| PB 4100/200 | M5014      | 200           | 4100           | 3550                 | 100           | 8               | 75             | 750              | 260          | 15          | 150    | 510      | 310          | 880          | 200         | 5300   | 2520   | 2200  | 14500  |
| PB 4100/240 | M5015      | 240           | 4100           | 3550                 | 100           | 8               | 55             | 750              | 260          | 18.5        | 160    | 565      | 310          | 880          | 240         | 5300   | 2650   | 2050  | 15000  |
| PB 4100/300 | M5016      | 300           | 4100           | 3550                 | 80            | 9               | 60             | 750              | 300          | 22          | 180    | 595      | 380          | 900          | 280         | 5300   | 2850   | 2400  | 18500  |