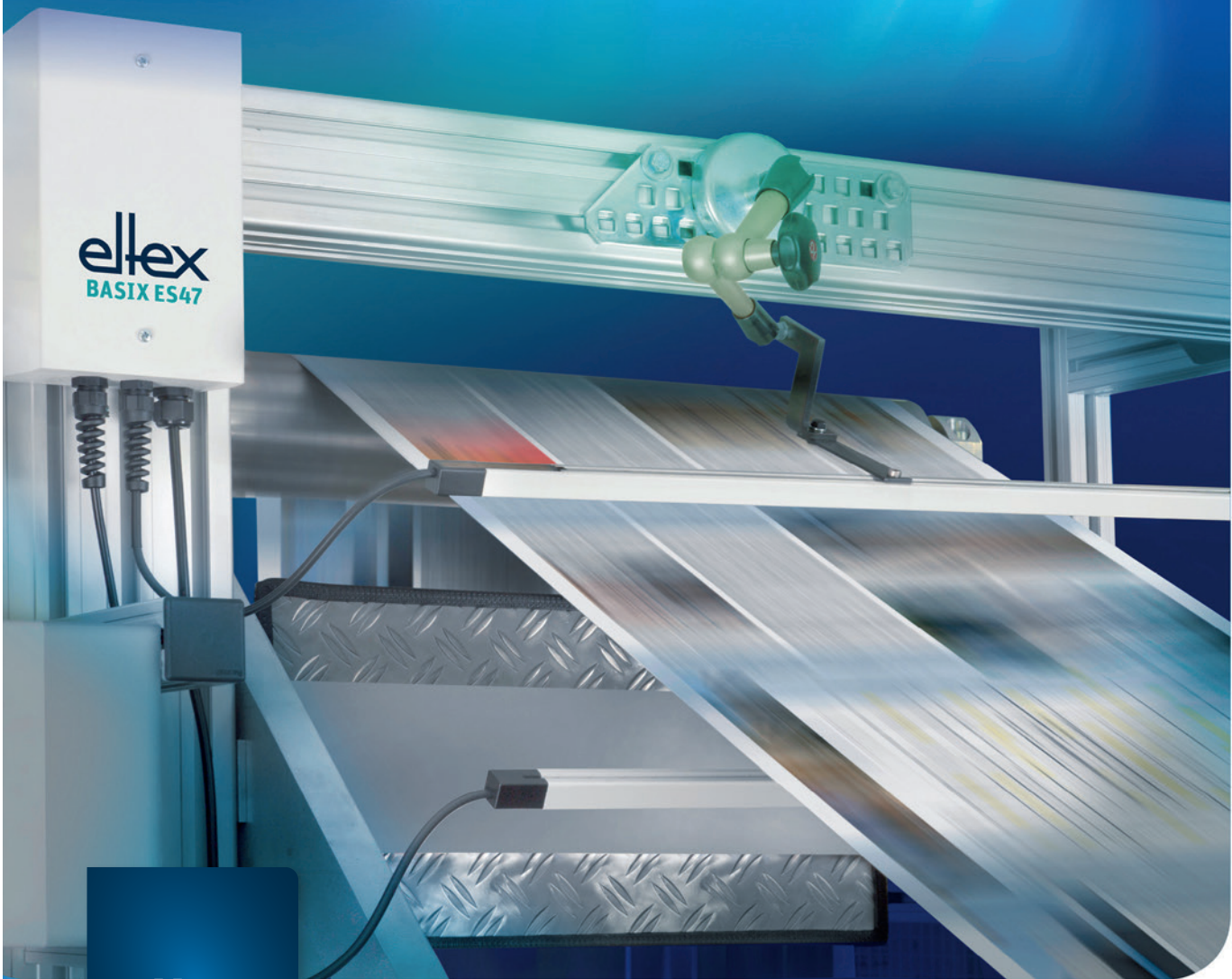


DISCHARGING



ellex electrostatic
innovations

> Discharging System BASIX ES47, R47



Eltex BASIX 100% Eltex – at a low price

Strong performance at a low price?

Eltex makes it possible.
The BASIX discharging unit delivers proven Eltex quality in compact size. The perfect solution whenever static charges cause problems.

With its compact dimensions, BASIX is the perfect choice for many different applications in the plastics, printing, packaging and textile industry as well as in the optical industry. And thanks to its competitive price, it also goes easy on the budget.



The power supply Eltex BASIX ES47

- robust steel housing
- four high-voltage connectors
- protection class IP54
- bars connected via clamp connection



The discharging bar Eltex BASIX R47

- compact design
- small bar diameter
- shockproof
- robust aluminium carrier profile for universal mounting
- UL-approved

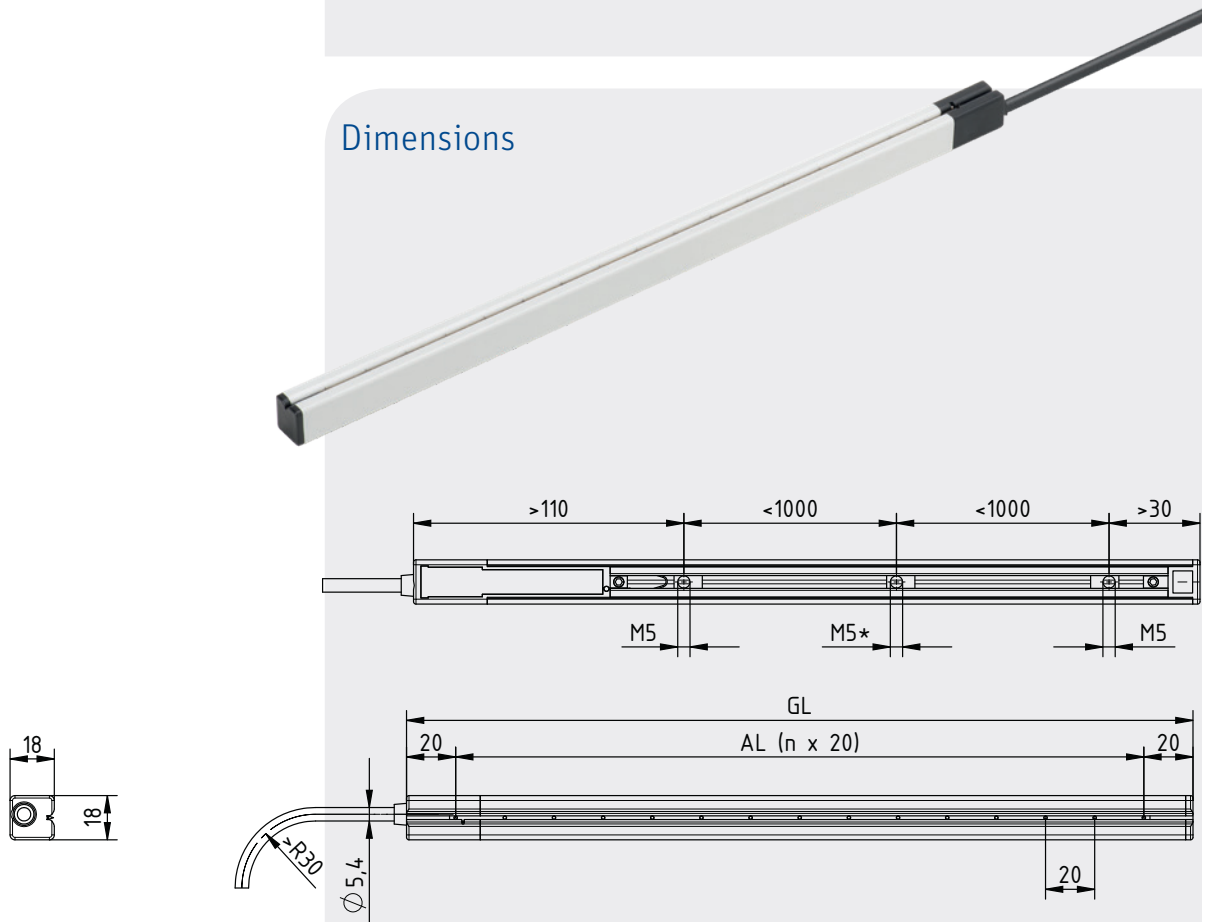


Discharging Bar BASIX R47

Technical specifications

Electrode (bar) element	glass-fibre-reinforced plastic GRP
Carrier section	aluminium
Encapsulation material	stainless steel
Installation	via movable sliding nuts M5 in the carrier section
Ambient operating temp.	0...+70°C (+32...+158°F)
Ambient humidity	max. 70% RH, non-dewing
Dimensions	profile: 18 x 18 mm, active length 1,860 mm maximum
Weight	approx. 0.5 kg/m
Operating voltage	max. 5 kV AC, 50/60 Hz
High voltage supply	via Eltex series ES47 power supplies
High voltage connection	high voltage cable encapsulated, axial lead-out
Short-circuit current	0.5 mA
Contact protection	according to EN 61140

Dimensions



AL = active length 1860 mm max.

GL = total length

*M5 depending on length

number of sliding nuts M5: AL of 120 – 1000 mm: 2 pieces

AL of 1020 – 1860 mm: 3 pieces

max. allowable distance between the sliding nuts: 1000 mm



Power Supply BASIX ES47

Technical specifications

Supply voltage	230 V AC 50/60 Hz; 115 V AC 60 Hz
Power input	25 VA maximum
Output voltage	5 kV AC
Loading capacity	depending on length of bar and length of high voltage cable
Output current	max. 2.4 mA
Ambient operating temp.	0...+50°C (+32...+122°F)
Storage temperature	-20...+80°C (-4...+176°F)
Ambient humidity	max. 80% r.h., non-dewing
Mains power cable	approx. 2.0 meters with earthing-pin plug, national version
Fuse (primary circuit)	see name plate
Ground link	grounding connection on housing
High voltage connections	4 pieces
Enclosure	sheet metal steel with wall bracket
Protection class	IP 54
Dimensions	207 x 170 x 87 mm (H x W x D) (see Fig.)
Weight	approx. 3.6 k
UL Approval	File No. E227156

Dimensions

