

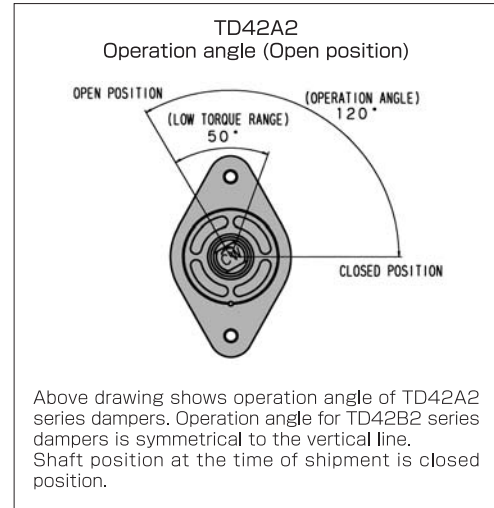
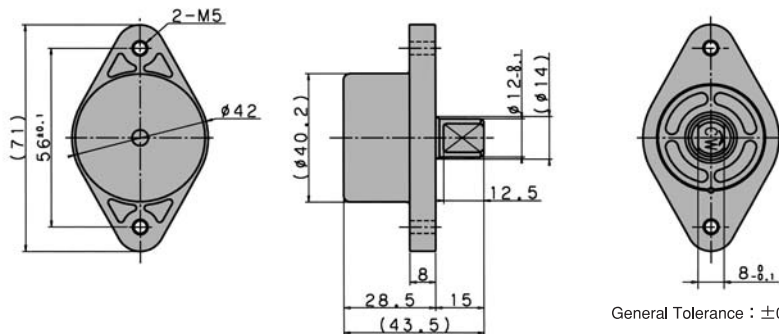
ROTARY DAMPERS

TD42 SERIES



FEATURES

- RoHS compliance
- TD42 DAMPERS have a device which reduces backlash and continues to exhibit a positive damping effect.
- TD56 DAMPERS permits 8.82N+m of maximum torque.

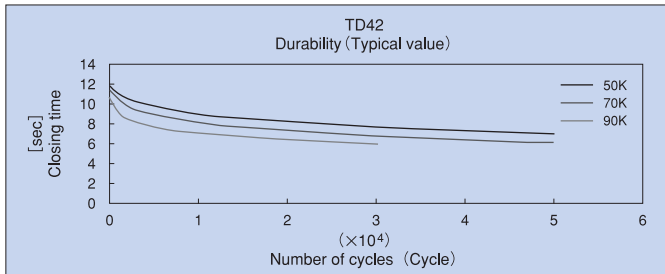


Code	Part No.	Allowable Torque [N·m] (Kgf·cm)	Direction
604201	TD42A2-50K	[4.90] (50)	CW (R)
600426	TD42A2-70K	[6.86] (70)	CW (R)
604203	TD42A2-90K	[8.83] (90)	CW (R)

Code	Part No.	Allowable Torque [N·m] (Kgf·cm)	Direction
604202	TD42B2-50K	[4.90] (50)	CCW (L)
600427	TD42B2-70K	[6.86] (70)	CCW (L)
604204	TD42B2-90K	[8.83] (90)	CCW (L)

DURABILITY

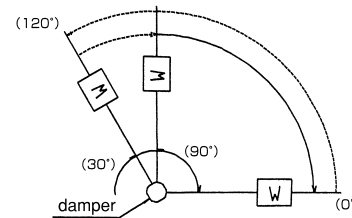
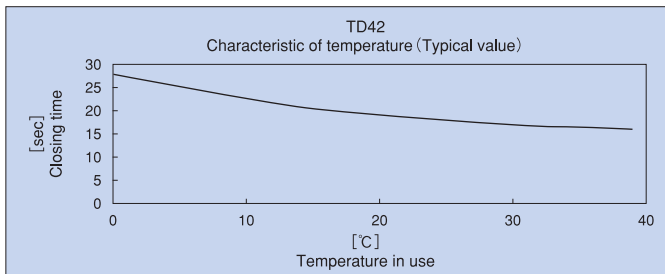
Each damper is set-up with an applied torque and weight on the shaft of the testing device. Measurements for closing time are taken under above condition.



Operation angle	120°	
Durability	TD42A2/B2-50K	50,000cycles
	TD42A2/B2-70K	50,000cycles
	TD42A2/B2-90K	50,000cycles
Closing time	Applied torque	Initial value
	4.90N·m (50kgf·cm)	5~25 (sec)
	6.86N·m (70kgf·cm)	5~25 (sec)
	8.83N·m (90kgf·cm)	5~25 (sec)

TEMPERATURE CHARACTERISTICS

After the damper is stabilized at room temperature for 1 hour or more, the closing time is measured using a TOK made device.



TEST CONDITION

- ① Setting-up time : 20sec/cycle
- ② Applied torque :
4.90N·m (50kgf·cm)
6.86N·m (70kgf·cm)
8.83N·m (90kgf·cm)
- ③ Temp : 23°C ± 2°C
- ④ Angle for measuring the closing time : 90° → 0°
- ⑤ Radial force : nothing
- ⑥ Closing time after durability test :
4.90N·m/2.5sec or more
6.86N·m/2.5sec or more
8.83N·m/2.0sec or more

TOK BEARING CO.,LTD.

HEAD OFFICE, TOKYO, JAPAN – TEL : 81-3-3969-1534 FAX : 81-3-3969-9354
EMAIL : overseas@tok-bearing.co.jp

Product specification are subject to change without prior notice.

Before assembly or use of any bearing, please read "Caution for Use"