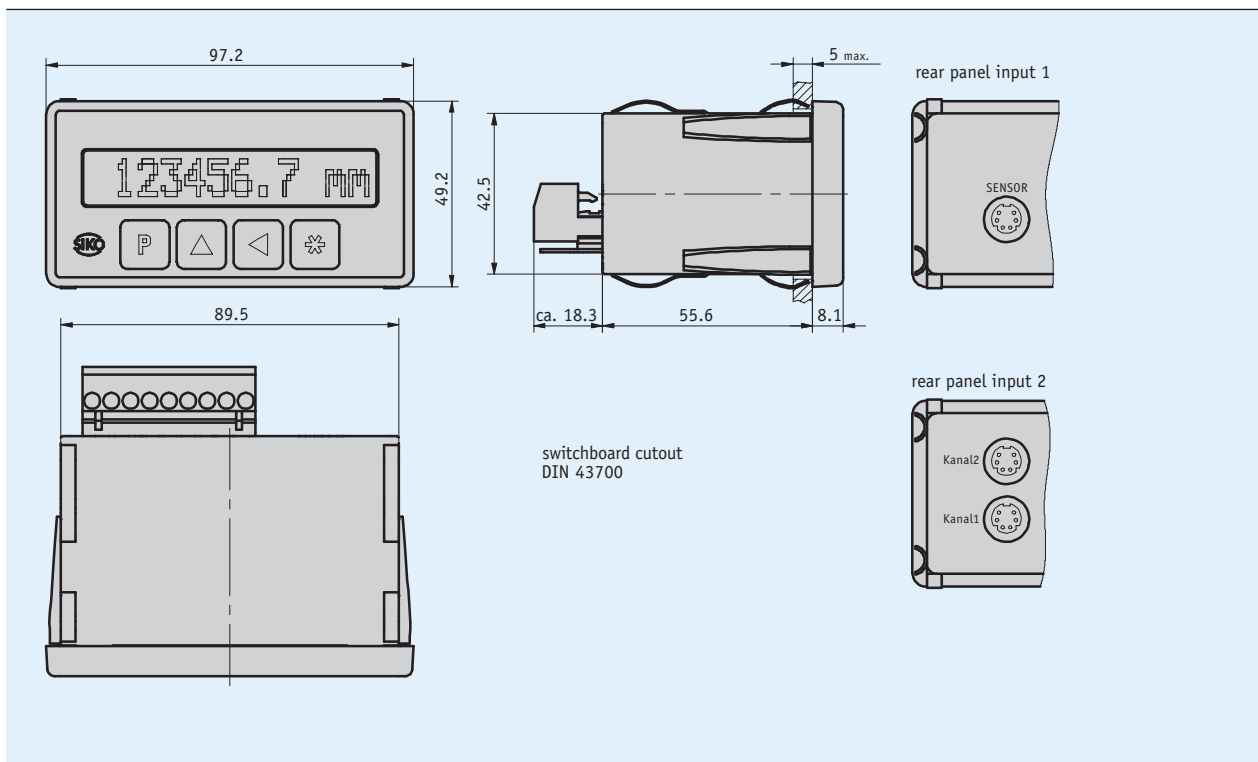


Profile

- Display accuracy max. 10 µm
- Repeat accuracy max. ±0.01 mm
- High-contrast LCD, 12-digit LCD dot matrix
- Incremental measurement and reset function
- Direct reference/offset value input
- Reference input
- Programmable actual-value memory
- Works with sensor MS500
- Option: serial interface RS232/RS485
- Option: 2 measurement channels
- Option: TG01 bench housing



Mechanical data

| Feature | Technical data | Additional information |
|----------------|---------------------------|--|
| Housing design | built-in housing, plastic | switchboard cutout 92 ^{+0.8} x 45 ^{+0.6} IEC 61554 |

Electrical data

| Feature | Technical data | Additional information |
|----------------------|-----------------------------------|--|
| Operating voltage | 24 V DC ±20 % | |
| | 115 V AC ±10 % | |
| | 230 V AC ±10 % | |
| Current consumption | 70 mA | at 24 V DC |
| | 20 mA | at 115 V AC |
| | 10 mA | at 230 V AC |
| Display/disply range | 12-digit, LCD dot matrix, backlit | -9999999 ... 9999999 |
| Switching outputs | with or without | 2x 30 V ≤100 mA |
| Interface | without, RS232, RS485 | |
| Type of connection | connector | 9-pole (supply, switching output, interface/reference conection) |
| | mini-DIN | 6-pole, 1x socket (MS500 sensor) |

System data

| Feature | Technical data | Additional information |
|-----------------|-------------------------------|-----------------------------|
| Resolution | 0.01, 0.1, 1, 10 mm | linear distance measurement |
| | 0.001, 0.01, 0.1, 1 inch | |
| | 0°-90°-0° / 0°-360° | angle measurement, ≤0.001° |
| System accuracy | ±(0.05 + 0.01 x L) mm; L in m | at T _U = 20 °C |
| Repeat accuracy | ±0.01 mm | ±1 increment |
| Travel speed | ≤5 m/s | |

Ambient conditions

| Feature | Technical data | Additional information |
|---------------------|---|-------------------------------------|
| Ambient temperature | 0 ... 50 °C | |
| Storage temperature | -20 ... 80 °C | |
| Relative humidity | ≤95 % | condensation inadmissible |
| EMC | EN 61000-6-2 | interference resistance / immission |
| | EN 61000-6-4 | emitted interference / emission |
| Protection category | IP40 whole device | EN 60529 |
| | IP60 at the front with switchboard installation | EN 60529 |

Pin assignment

| Signal | PIN |
|-------------------------------------|-----|
| Reset | 1 |
| +24 V DC; ≤50 mA (reference switch) | 2 |
| GND | 3 |
| nc | 4 |
| RS232 (RXD), RS485 (DÜB), actor A2 | 5 |
| RS232 (TXD), RS485 (DÜA), actor A1 | 6 |
| PE | 7 |
| N (230/115 V AC); GND (24 V DC) | 8 |
| L (230/115 V AC); +UB (24 V DC) | 9 |

Order

■ **Ordering information**

one or more system components are required:

Magnetic sensor MS500

www.siko-global.com

■ **Ordering table**

| Feature | Ordering data | Specification | Additional information |
|--------------------|---------------|------------------------------|---------------------------|
| Operating voltage | 1 | 230 V AC | |
| | 2 | 115 V AC | |
| | 4 | 24 V DC | |
| Interface/protocol | XX/XX | without | |
| | S1/00 | RS232 with standard protocol | |
| | S3/00 | RS485 with standard protocol | |
| Switching output | S0 | without | |
| | SM | with | only with XX/XX interface |
| Input | 1 | one channel | |
| | 2 | two channels | |
| Software | S | | |
| | SW01 | for 2 channels | |

■ **Order key**



Scope of delivery: MA502, Mounting instructions

Accessories:
 Table-top housing TG01

www.siko-global.com