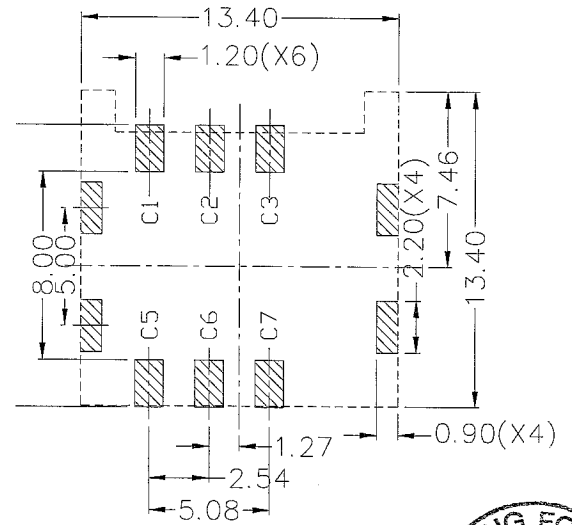


PIN NO.	PIN NAME
C1	Supply Voltage Vcc
C2	Reset (RST)
C3	Clock(CLK)
C4	N/A
C5	Ground
C6	Programming Voltage Vpp
C7	I/O
C8	N/A

REV	MODIFICATION	DATE	DRAW
C	EN-12-0321	2012/03/27	Chris
D	ECN2-00000467	2016.12.21	Moya
E	ECN2-00000541	2017.09.20	Moya

Order Information:
 SIMMP-00 X 01 B033- G
 6:6 pins
 PLATING
 01:GOLD FLASH

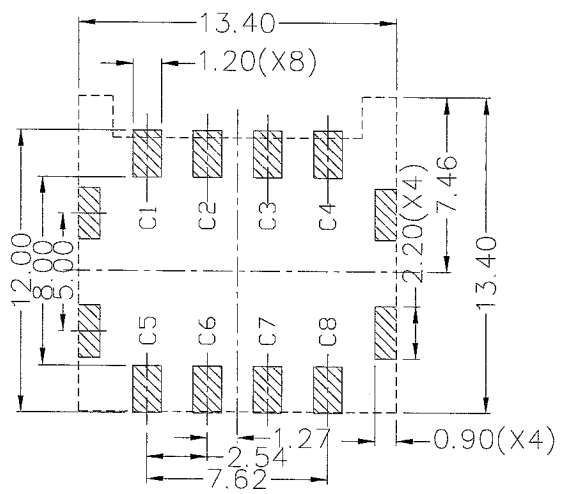
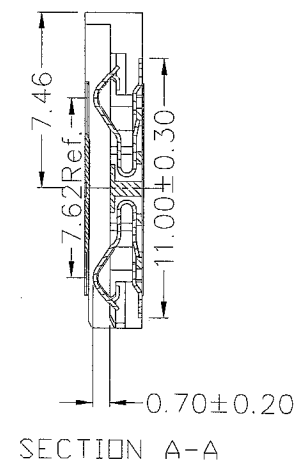
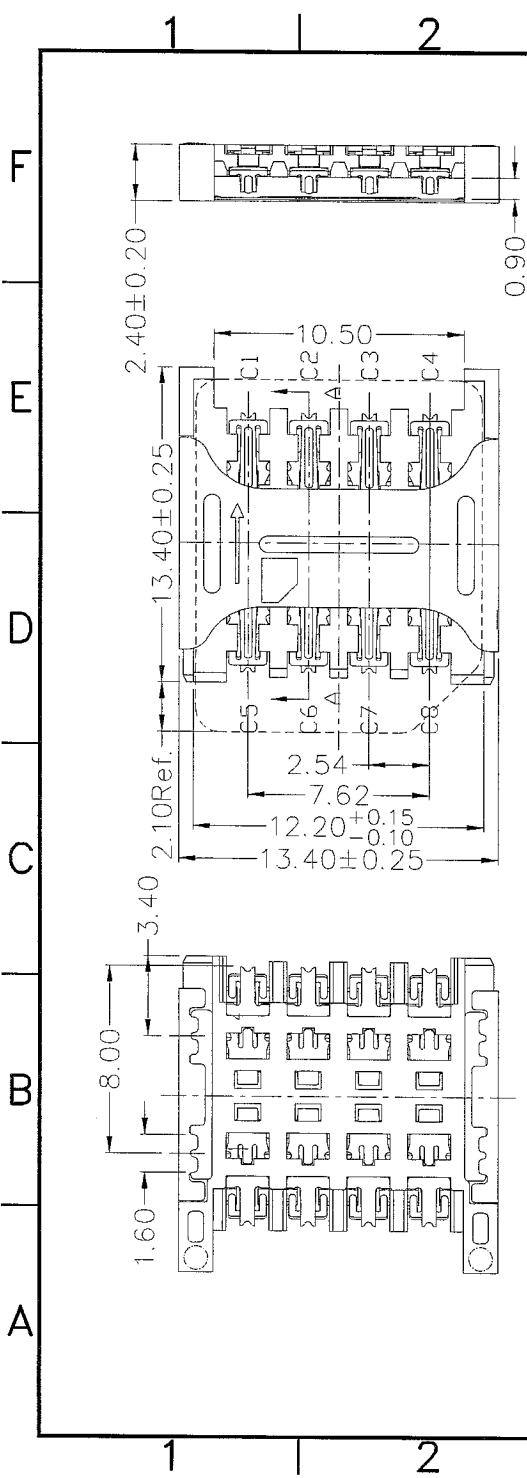


MATERIALS:
 HOUSING: HI-TEMP. PLASTIC (UL 94V-0), BLACK
 TERMINAL: PHOSPHOR BRONZE, GOLD PLATED OVER ALL
 SHELL:STAINLESS STEEL SMT AREA GOLD PLATED
SPECIFICATION:
 CURRENT RATING: 0.5 AMP MAX
 DIELECTRIC WITHSTANDING: 500V AC FOR ONE MINUTE
 CONTACT RESISTANCE: 30m OHMS MAX
 INSULATION RESISTANCE: 1000M OHMS MIN AT DC 500V
 OPERATION TEMPERATURE: -25°C~+85°C

RECOMMENDED P.C.B LAYOUT
 COMPONENT SIDE(TOLERANCE ±0.05)



DIMENSION IN mm [Inch]		PROD. SPEC.	KINGFONT PRECISION INDUSTRIAL CO., LTD.	
TOLERANCE UNLESS OTHERWISE SPECIFIED		PKG. SPEC.	TITLE SIM CARD, 6PIN SMT, FEMALE	
.X±0.30	X'± 3'	APPROVE <i>Gravy</i>	CUSTOMER DRAWING	
.XX±0.20	.X'± 3'	CHECK <i>Moya</i>	FILE NO.	DWG NO. SIMMP-00x01B033-G
.XXX±0.10	.XX'± 3'	DRAW <i>Moya</i>	SIZE A4	PROJ. SHEET 1 / 1
			SCALE 1:1	REV E

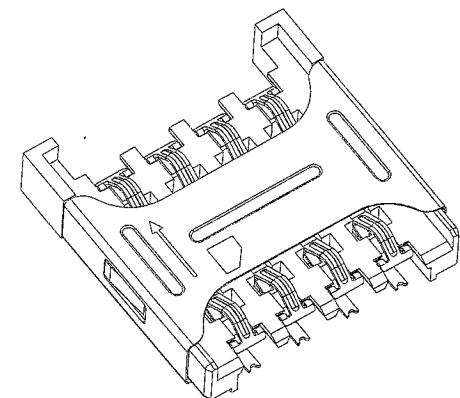


RECOMMENDED P.C.B LAYOUT
COMPONENT SIDE(TOLERANCE ±0.05)

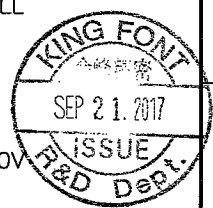
PIN NO.	PIN NAME
C1	Supply Voltage Vcc
C2	Reset (RST)
C3	Clock(CLK)
C4	N/A
C5	Ground
C6	Programming Voltage Vpp
C7	I/O
C8	N/A

REV	MODIFICATION	DATE	DRAW
C	EN-12-0321	2012/03/27	Chris
D	ECN2-00000467	2016.12.21	Moya
E	ECN2-00000541	2017.09.20	Moya

Order Information:
SIMMP-00 X 01 B033- G
8:8 pins
PLATING
01:GOLD FLASH



MATERIALS:
HOUSING: HI-TEMP. PLASTIC (UL 94V-0), BLACK
TERMINAL: PHOSPHOR BRONZE, GOLD PLATED OVER ALL
SHELL:STAINLESS STEEL SMT AREA GOLD PLATED
SPECIFICATION:
CURRENT RATING: 0.5 AMP MAX
DIELECTRIC WITHSTANDING: 500V AC FOR ONE MINUTE
CONTACT RESISTANCE: 30m OHMS MAX
INSULATION RESISTANCE: 1000M OHMS MIN AT DC 500V
OPERATION TEMPERATURE: -25°C~+85°C



DIMENSION IN mm [Inch]		PROD. SPEC.	KINGFONT PRECISION INDUSTRIAL CO., LTD.	
TOLERANCE UNLESS OTHERWISE SPECIFIED		PKG. SPEC.	CUSTOMER DRAWING	
.X±0.30	X.'± 3'	APPROVE <i>Gomy</i>	TITLE SIM CARD, 8PIN SMT, FEMALE	
.XX±0.20	.X'± 3'	CHECK <i>Moya</i>	FILE NO.	DWG NO. SIMMP-00x01B033-G
.XXX±0.10	.XX'± 3'	DRAW <i>Moya</i>	SIZE A4	PROJ. SHEET 1 / 1
			SCALE 1:1	REV E