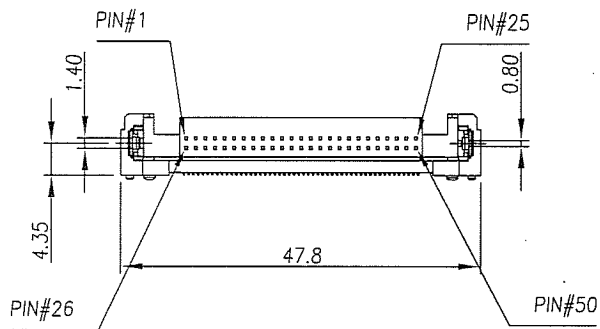
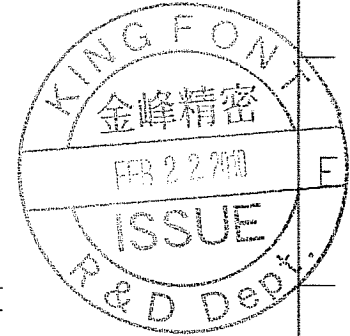
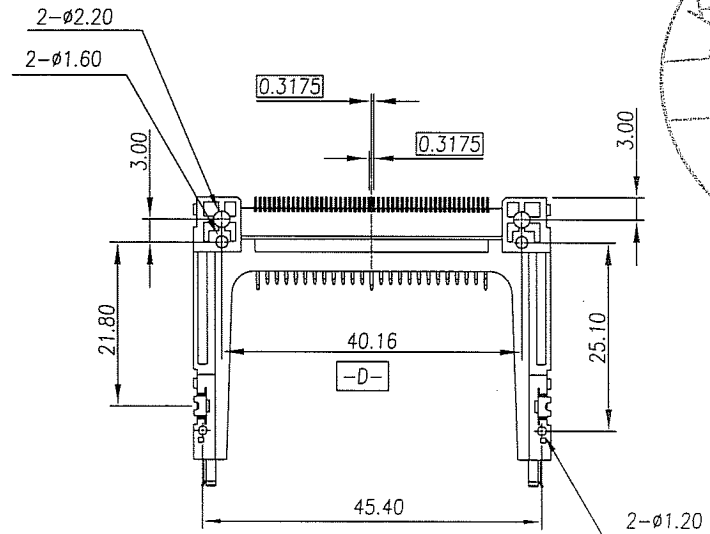
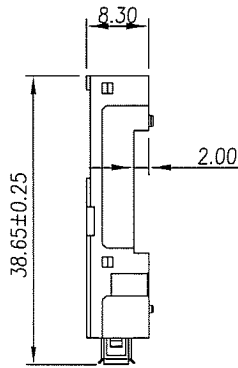
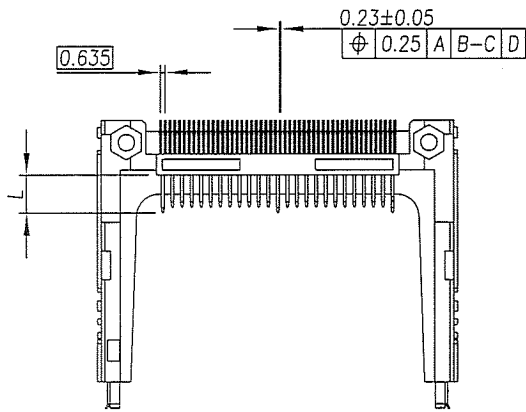
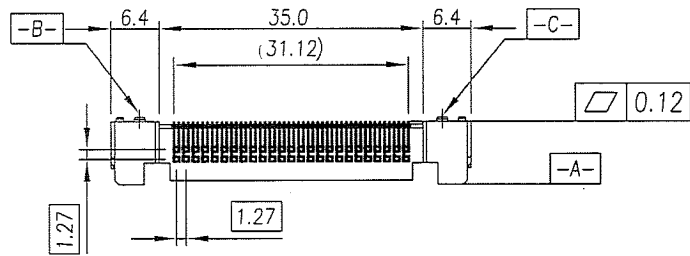


Pin Type	Interface Dim L	Pin Type	REV	MODIFICATION	DATE	DRAW
Detect	3.5 mm	25,26	G	EN-09-1014	2009/10/13	Stacy
General	4.25 mm	All Other Pins	H	EN-09-1213	2009/12/15	TONY
Power	5.0 mm	1,13,38,50	I	EN-10-0217	2010/02/12	TONY



Ordering Information:

CFC M D - 3 5 T XX W 1 0 0

Pin No.
Type 2

Color:
W-White.

0 : Normal Type

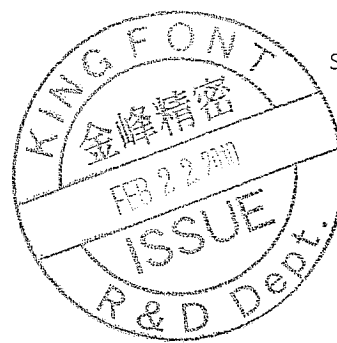
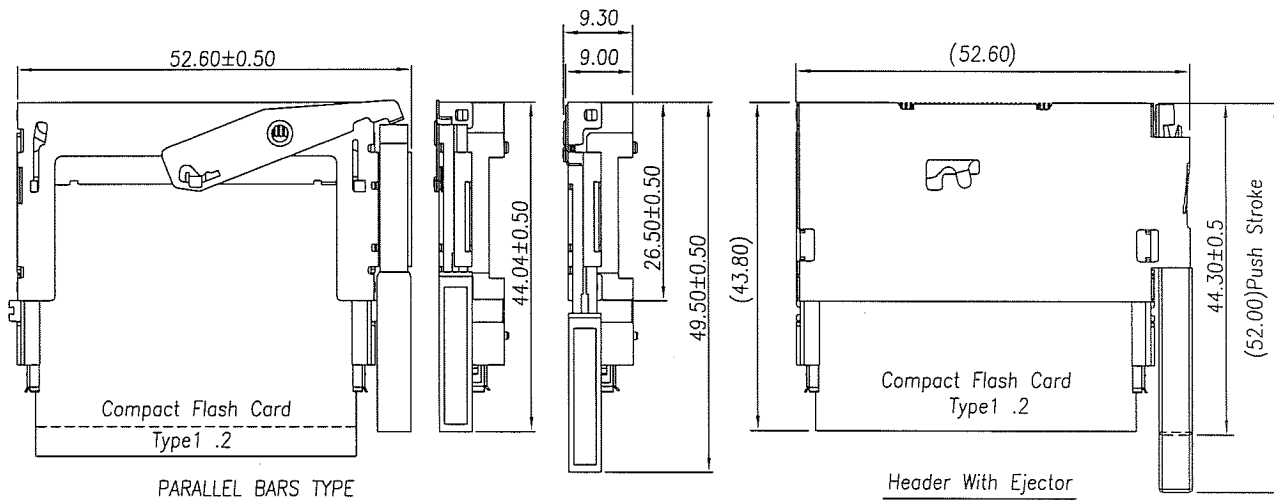
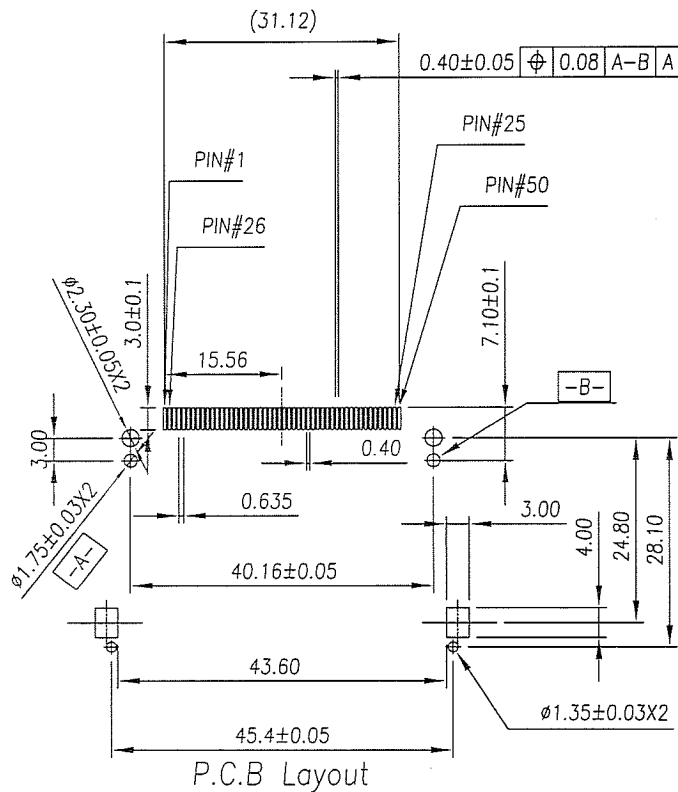
STAND OFF
1 : 2.0mm

T : Comply to SONY SS-00259

Contact Area Plating:
01-Gold Flash Plating.
15-15U" Gold Plating.
30-30U" Gold Plating.

DIMENSION IN mm [Inch]		PROD. SPEC. SP0025	KINGFONT PRECISION INDUSTRIAL CO., LTD.	
TOLERANCE UNLESS OTHERWISE SPECIFIED		PKG. SPEC. PPP-CFC-005	TITLE CF TYPE2 , 50PIN SMT NORMAL TYPE	CUSTOMER DRAWING
.X±0.30	X'± 1'	APPROVE <i>[Signature]</i>	FILE NO. KFP-025	DWG NO. CFCMD-35TXXW100
.XX±0.20	X'± 0.5'	CHECK <i>[Signature]</i>	SIZE A4	PROJ. SHEET 1 / 2
.XXX±0.10	.XX'± 0.25'	DRAW <i>[Signature]</i>	SCALE 1:1	REV 1

REV	MODIFICATION	DATE	DRAW
G	EN-09-1014	2009/10/13	Stacy
H	EN-09-1213	2009/12/15	TONY
I	EN-10-0217	2010/02/12	TONY



SPECIFICATIONS:

HOUSING : High Temperature Plastic, UL 94V-0
 CONTACT : Copper Alloys
 VOLTAGE RATING : 100VAC
 CURRENT RATING : 0.5A
 CONTACT RESISTANCE:40 m Ohm max.
 INSULATION RESISTANCE:1000M Ohm min.
 DIELECTRIC STRENGTH : 500VAC/1min
 OPERATION TEMPERATURE : -40°C~85°C

Ordering Information:

CFC M D - 3 5 T XX W 1 0 0

Pin No. Type 2

Color: W-White.

0 : Normal Type
 1 : 2.0mm STAND OFF

T : Comply to SONY SS-00259

Contact Area Plating:
 01-Gold Flash Plating.
 15-15U" Gold Plating.
 30-30U" Gold Plating.

DIMENSION IN mm [Inch]		PROD. SPEC. SPO025	KINGFONT PRECISION INDUSTRIAL CO., LTD.	
TOLERANCE UNLESS OTHERWISE SPECIFIED		PKG. SPEC. PPP-CFC-005	TITLE CF TYPE2 , 50PIN SMT NORMAL TYPE	CUSTOMER DRAWING
.X±0.30	X.'± 1'	APPROVE	FILE NO. KFP-025	DWG NO. CFCMD-35TXXW100
.XX±0.20	.X'± 0.5'	CHECK	SIZE A4	PROJ. SHEET 2 / 2
.XXX±0.10	.XX'± 0.25'	DRAW	SCALE 1:1	REV 1